



NAVEE Electric Scooter

EasyRide 20

EN Important Information

FR Informations importantes

DE Wichtige Informationen

PT Informações importantes

PL Ważne informacje

1. Safety Instructions

Original instructions

IMPORTANT! Please read carefully before using the product and keep for future reference. For detailed e-manual, please visit www.naveetech.com

- This appliance is not intended for use by persons (including children) with reduced physical, sensory or mental capabilities, or lack of experience and knowledge, unless they have been given supervision or instruction concerning use of the appliance by a person responsible for their safety.
Children should be supervised to ensure that they do not play with the appliance.
- This appliance is intended for riders older than 8 years and persons with physical and persons with reduced physical, sensory or mental capabilities or lack of experience and knowledge if they have been given supervision or instruction concerning use of the appliance in a safe way and understand the hazards involved.
Children shall not play with the appliance. Cleaning and user maintenance shall not be made by children without supervision.
- The appliance is only to be used with the power supply unit provided with the appliance.
- Before riding, please wear helmets, hand/wrist pads/knee pads, elbow pads, and other protective gear at all times.
- The scooter shall be used by one person only. Obligation to always wear shoes. Do not divert the use of the vehicle.
- This product is for personal riding only and is not intended for acrobatic or stunt use.
- The product is recommended for riders above age of 16 and below age of 50. People who are not suitable for riding this product include: (1) persons under the influence of alcohol or drugs, (2) persons unable to engage in strenuous physical activities due to health or physical conditions, (3) persons who are incapable of keeping their balance or who cannot keep their balance due to impaired motor skills, (4) persons whose size exceeds the weight limit, (5) women who are pregnant, (6) persons who suffer from visual and/or hearing impairments.
- Comply with local laws and regulations when riding this product. Do not ride where prohibited by local laws.
- When riding in countries and regions where there are no relevant national standards and regulations for electric scooters, please be sure to strictly abide by the safety requirements for drivers in this operation manual. SPACEWALKER PTE. LTD. will not bear any direct responsibility and joint and several liability for all property, personal losses, accidents, legal disputes, and all other adverse events that cause conflicts of interest caused by the use of behaviors in violation of the instructions for use.
- Do not ride in traffic lanes or residential areas where vehicles and pedestrians are both allowed. When passing through a place designated for pedestrians who are entitled to the right-of-way laws like crosswalk, please get off to walk along with the scooter.
- Do not choose places where children, pedestrians, pets, vehicles, bicycles or other obstacles and potential dangers may appear for your first ride.
- Required preparations for using this product include: ensuring the steering system is properly adjusted, that all connected accessories (such as the folding system) are properly tightened and undamaged, and that the brakes and wheels are in good condition.

- Perform a basic inspection of the electric scooter before each ride. If there are abnormal conditions such as loose parts, low battery alerts, flat tires or excessive wear of tires, strange sounds, malfunctions and other abnormal conditions, stop riding immediately and call for professional support.
- Take the time to learn the basics of the practice to avoid any serious accident that can take place in the first months. Information on practice and safe use (can be found on the website: www.naveetech.com)
- To ride safely, you must be able to clearly see what is in front of you and you must be clearly visible to others.
- Do not ride in bad weather, low visibility, or after intense physical exertion.
- Do turn on the headlight and slow down the speed when you ride at dark.
- Make sure that the kickstand is positioned on a flat surface and the kick scooter is stable enough to stand alone before leaving it.
- This electric scooter is a leisure device. However, when entering a public area, it will be considered a means of transportation and subject to possible safety risks for all means of transportation. Riding in strict accordance with the instructions in this manual will protect you and others to the greatest extent.
- The user should check the limits of use in accordance with the local regulations. Ride the scooter on the roads or areas permitted by local regulations and laws and park it in the areas permitted. If the local regulations and laws have different provisions on the maximum speed, the local regulations and laws will prevail. Please respect and follow the road safety and vehicle rules.
- Respect pedestrians' Right of Way. Try not to startle them while driving, especially children. When you ride from behind pedestrians, ring your bell to give them a heads-up and slow your scooter down to pass from their left, and keep to the right at a low speed while riding across them (applicable to countries where vehicles drive on the right). When you drive across pedestrians, keep the lowest speed or getting off the vehicle.
- In any case, anticipate your trajectory and your speed while respecting the code of the road, the code of the sidewalk and the most vulnerable. Notify your presence when approaching a pedestrian or cyclist when you are not seen or heard. Cross the protected passages while walking. Cross the protected passages while walking. Avoid high traffic areas or overcrowded areas.
- Riding with high speed or a speed that is not appropriate or adequate for the situation (bad weather conditions, bad surface conditions, or the like) may lead into a potential loss of stability or loss of control. To reduce any risk, you must follow all instructions in this manual. Be careful when mounting and dismantling the product, it may fall and cause injury.
- Traffic in the city has many obstacles to cross such as curbs or steps. It is recommended to avoid obstacle jumps. It is important to anticipate and adapt your trajectory and speed to those of a pedestrian before crossing these obstacles. It is also recommended to get out of the vehicle when these obstacles become dangerous due to their shape, height or slippage.
- Do not lend your scooter to whoever does not know the operations. Before lending the electric scooter to others, please make sure that the rider has read this instruction manual and watched the instruction video, and understood the basic operation. Remind riders to wear safety protection correctly to ensure the safety of riders.
- Contact your seller for appropriate training organizations.
- In all cases, take care of yourself and others.
- Any load attached to the handlebar will affect the stability of the vehicle.
- Do not touch the brake system, it could cause injuries due to sharp edges. The brake may become hot in use. Do not touch after use.

- The A-weighted emission sound pressure level is less than 70 dB(A).
- The mechanical vibrations transmitted by KickScooter are less than 2.5 m/s².
- For a better riding experience, it is recommended to carry out a regular maintenance of the product.
- Eliminate any sharp edges caused by use.
- Accessories and any additional items which are not approved by the manufacturer shall not be used.
- Regular maintenance of the vehicle is a factor of safety.
- The self-tightening nuts as well as the other self-tightening fastenings may lose their efficiency and that they may need to be retightened.
- Regularly check the tightening of the various bolted elements, in particular the wheel axles, the folding system, the steering system and the brake shaft.
- Do not modify or transform the vehicle, including the steering tube and sleeve, stem, folding mechanism and rear brake.
- Do not make any modifications that are not noted in the instructions.
- Make sure the scooter is turned off when being transported and kept in its original packaging if possible.
- In order to avoid accidental injuries such as electric shock and fire caused by improper use, please read the instructions carefully before use, and keep them properly for future reference.
- Please use this product in accordance with the instructions in the User Manual. Users are responsible for any loss or damage arising from improper use of this product.
- Power-off the vehicle during charging, or into a certain nonoperational mode.
- Do not charge if the charge port or charge cable is wet. Read this manual carefully before charging.
- Do not charge the scooter at an ambient temperature above 40°C or below 0°C.
- Please keep a safe distance when the scooter is driving on a level/no slope road. The braking distance will increase in wet weather.
- The shock absorption of this product is not adjustable (if applicable).
- The appliance is not intended for use at elevations greater than 2000 m above sea level.
- The appliance shall be disconnected from its power source during service and when replacing parts.
- The external flexible cable or cord of this transformer cannot be replaced; if the cord is damaged, the transformer shall be scrapped.
- If the external flexible cable or cord of this transformer is damaged, it shall be replaced by the manufacturer or their service agent or a similarly qualified person in order to avoid a hazard.
- If the supply cord is damaged, it must be replaced by the manufacturer, its service agent or similarly qualified persons in order to avoid a hazard.
- This product contains batteries that can only be replaced by qualified technicians or after-sales service
- This appliance contains batteries that are only replaceable by skilled persons.

WARNING! For the purposes of recharging the battery, only use the detachable supply unit provided with this appliance. Do not use a battery charger from any other product. Keep a safe

distance from the surrounding combustibles when charging, the vehicle must be placed in a well-ventilated area.

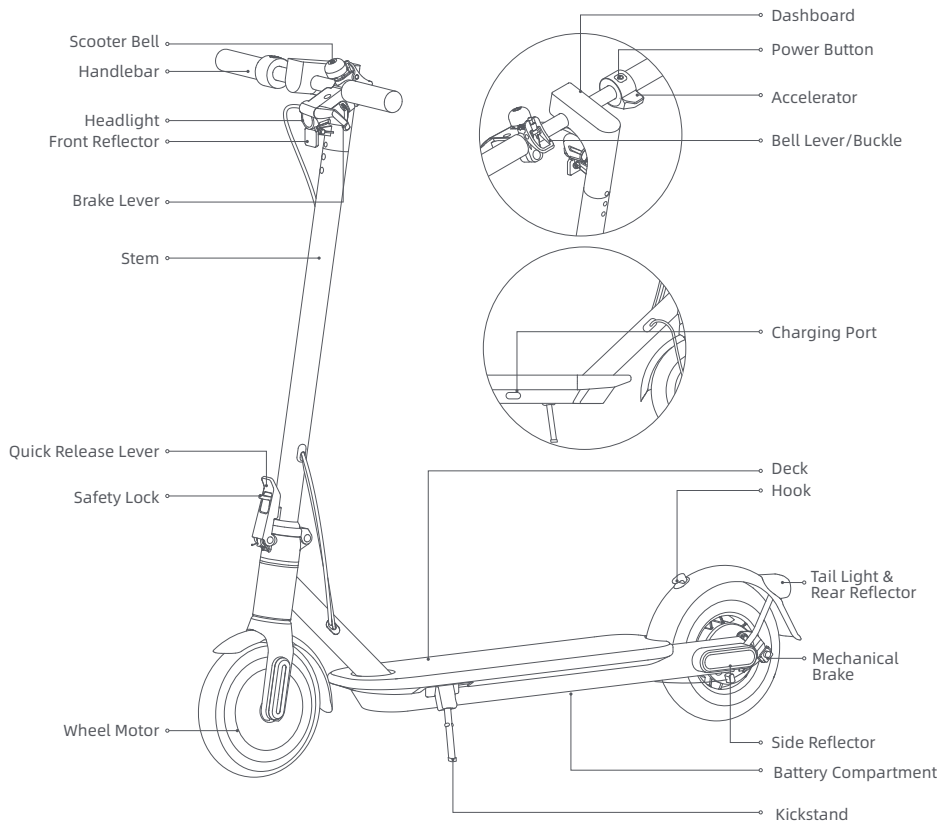
- **WARNING! Do not use any third-party battery or battery charger. Use only with FY0422521500E supply unit.**
- **WARNING! Keep plastic covering away from children to avoid suffocation.**
- **WARNING! Never use the product close to a water source.**
- **WARNING! Stop using the product when damaged.**
- **WARNING! As with any mechanical component, a vehicle is subject to high stresses and wear. The various materials and components may react differently to wear or fatigue. If the expected service life for a component has been exceeded, it may break suddenly, therefore risking causing injuries to the user. Cracks, scratches and discoloration in the areas subject to high stresses indicate that the component has exceeded its service life and please contact an authorized or a specialized repairer.**

Watch out for hand crush and pinch points hazards in the following positions during use:

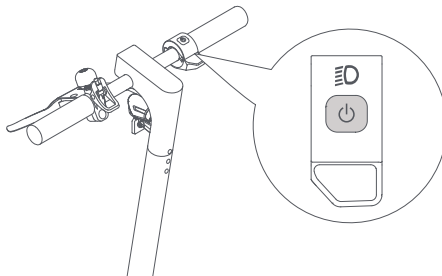
1. Between the handlebar and the stem when installing the handlebar.
2. Openings on the wheels.
3. Between the front mudguard and the deck.
4. Between the quick release lever and the quick release lever lock, and between the folding joint and the stem when folding or unfolding.
5. Between the mudguards and the wheels.



2. Product Overview

Electric Scooter

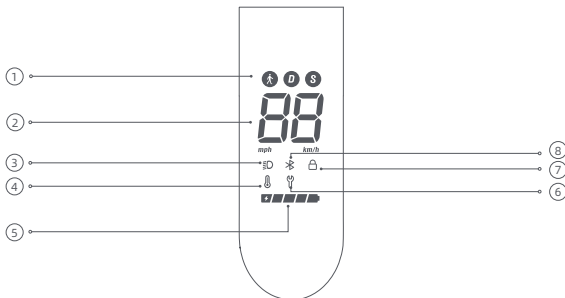



Power on/off



Press the button  to turn the scooter on, and hold the button  for 2 to 3 seconds to turn the scooter off. When the scooter is on, press twice to change riding modes.

Dashboard



- ① Riding Modes:  is for walking mode, and its maximum speed is 6 km/h. D is for standard mode. S is for sport mode.
- ② Speedometer: It displays the current speed when the scooter is working. When the scooter has an issue, it displays an error code. When the scooter is charging, it displays the current battery level.

- ③ Light: When the scooter is on, short press the power button to turn the front or rear lights on or off. Short press the power button twice to switch modes. These short presses of the power button will not turn off the scooter.
- ④ Temperature Warning: If the battery temperature is too high or too low, the thermometer icon will be on. Use or charge the scooter after its battery temperature returns to the normal operating range.
- ⑤ Battery Level: The battery power is indicated by 5 bars, each representing approximately 20 % of a full battery.
- ⑥ Error Notification: When the wrench icon displays red, it indicates that the scooter has an error.
- ⑦ Lock: When the icon lights up, it indicates that the scooter is locked. You can lock/unlock the scooter via the NAVEE app.
- ⑧ Bluetooth: The Bluetooth icon is always on, indicating that the scooter has been successfully connected to the mobile device.

3. Care & Maintenance

Cleaning

Before cleaning the scooter, you must turn off the power, unplug the charging cables and close the charging cover tightly.

Wipe the main chassis with a soft damp cloth, the hard-to-remove dirt can be scrubbed with a toothbrush. Afterwards, wipe all areas with a dry cloth.

WARNING!

- Do not wash the scooter with a high-pressure water spray.
- Do not clean the scooter with corrosive cleaner, which will damage the external and internal structure of the scooter.

Battery

Always charge before exhausting the battery to prolong the battery's lifespan.

When riding, storing or charging, do not exceed the specified temperature limit (refer to specifications). Failure to follow instructions for use, storage or charging may result in battery damage, failure to charge and void warranty.

The fully charged scooter has an approximate standby time of 120-180 days. If it is not used for a long time, it should be charged every 60 days. Please pay attention to the standby time to prevent irreversible damage to the battery caused by not charging.

WARNING!

- Do not use battery packs of other models or brands, as there may be a safety risk.
- Only use the original battery charger to avoid potential damage or fire.
- If the battery is damaged or soaked with water, do not charge or continue to use it.
- Do not remove the battery. Removing the battery is complicated, and improper operation may affect the operation of the scooter.

Storage

If the scooter will not be used for an extended period, fully charge it, then turn it off and store it in a cool, dry place. Make sure the scooter is turned off when being transported and kept in its original packaging if possible.

WARNING!

- Please do not leave the scooter under hot sun or severely humid place for extended periods of time.
- Please do not place the scooter near flammable materials.
- This product contains a built-in lithium battery and must be transported only when permitted by local laws and regulations.

Environmental Instructions

The scooter contains a rechargeable lithium-ion battery pack, and improper disposal of these batteries will cause harm to the environment. Follow the steps below to remove the batteries before disposing of the scooter and discard the batteries properly:

1. Before removing the battery, power off and drain it to the full extent. Then tear the foot pad and unscrew the fixing bolts between the pedal and frame to open the foot pedal.
2. Unplug the battery connector, and then remove the batteries. Do not damage the battery case to avoid any risk of injuries. Do not use the battery if it is damaged, has a strange odor, emits smoke, or gets overheated. Keep a leaking battery away from other objects.
3. Discard the removed batteries at a professional recycling facility.

Scooter Maintenance Schedule (Recommended):

Maintaining the scooter regularly can help keep the scooter neat and in good condition, avoid safety hazards, minimize breakdowns, slow down the deterioration of the scooter, and extend the scooter's service life.

Item	Service Object	Actions	Every month	Every 3 months	Every 500 km/ 6 months	Every 1000 km/ 1 year	Every 10000 km/ 3 years
Tires	Tire Tread Wear	Check whether the tire is cracked, deformed, worn, etc.			√	√	√
Screws	Handlebar Assembly Screws	Tighten the screw that connects the handlebar assembly with the stem assembly (with the recommended torque of $3.0 \pm 0.5 \text{ N}\cdot\text{m}$).		√	√	√	√
		Tighten the accelerator screw (with the recommended torque of $1.6 \pm 0.1 \text{ N}\cdot\text{m}$).				√	√
		Tighten the brake lever screw (with the recommended torque of $5.5 \pm 0.5 \text{ N}\cdot\text{m}$).					

Item	Service Object	Actions	Every month	Every 3 months	Every 500 km/ 6 months	Every 1000 km/ 1 year	Every 10000 km/ 3 years
Functions	Brake Adjustment	Before adjusting, make sure the scooter is turned off and not being charged. Tool: 5 mm hex key (the tool needs to be prepared by the user). When the brake is too tight, use the tool to turn the nut on the screw rod counterclockwise, so as to slightly shorten the brake cable's exposed bottom part. When the brake is too loose, use the tool to turn the nut on the screw rod clockwise, so as to slightly lengthen the brake cable's exposed bottom part.			√	√	√
	Charging	Charge the scooter at a suitable temperature. The indicator on the battery charger is red when the scooter is charging, and turns green when the scooter is fully charged. The control panel will show the charging status simultaneously during charging.			√	√	√
	Steering	Turn the handlebar 60° to the left and right to make sure the turning angle is correct and the steering is free from resistance and stagnation.				√	√
Important Components	Battery Assembly	Fully charge the scooter before leaving it unused for a long time, and turn it on to charge every 60 days.					√

Wheels, brake pads and other vulnerable parts are worn or damaged and need to be replaced, please contact the after-sales service in time.

To find a qualified service shop, contact us via service@navee.tech/www.naveetech.com

4. Specifications

Product	Name	NAVEE Electric Scooter		
	Model	EasyRide 20-E	EasyRide 20-D	EasyRide 20-S
Dimensions	Vehicle: L x W x H (mm) ^[1]	1093 x 466 x 1098		
	After Folding: L x W x H (mm)	1091 x 463 x 435		
Net Weight	Vehicle Net Weight (kg)	14.0		
Rider	Load Range (kg)	25-90		
	Age (years)	16-50		
	Body Length (cm)	120-200		
Assembled Electric Scooter	Max. Speed (km/h)	25	20	20
	General Range (km) ^[2]	Approx. 20		
	Max. Climbing Angle (%)	Approx. 14		
	Suitable Surfaces	Cement or asphalt road, with benches of less than 1 cm or crevices narrower than 3 cm		
	Operating Temperature (°C)	-10 to 40		
	Storage Temperature (°C)	-20 to 45		
	IP Rating	IPX5		
	Charging Time (h)	Approx. 6		
Battery Pack	Model	T2417-B63A		
	Nominal Voltage (VDC)	21.6		
	Max. Charge Voltage (VDC)	25.2		
	Rated Energy (Wh)	165.24		
	Intelligent Battery Management System	Over-heating, short circuit, over-current, over-discharge, and over-charge protection		
	Normal Charging Temperature Range (°C)	0 to 40		
Wheel Motor	Rated Capacity (Ah)	7.65		
	Rated Power (kW; W)	0.3; 300	0.3; 300	0.25; 250
	Model ^[3]	FY0422521500E		
	Output Power (kW; W)	0.0378; 37.8		
	Input	100-240 V~ 50/60 Hz		
	Rated Output (VDC; A)	25.2; 1.5		
Tire	Front & Back Tires	Maintenance-free Inner Hollow Tires		
Bluetooth	Frequency Band (s)	2.4000 - 2.4835 GHz		
	Max. RF Power (dBm)	8		

[1] Vehicle height: From the ground to the top of the scooter.

[2] General range: Measured when there is no wind and at 25°C, the scooter is fully charged to ride at a constant speed of 15 km/h on a flat surface with a load of 75 kg.

[3] To recharge the battery, only use the battery charger provided in the package. Please see battery charger parameters in Specifications.

5. Certification

Restriction of Hazardous Substances Directive (RoHS)

This SPACEWALKER PTE. LTD. product, with included parts (cables, cords, and so on) meets the restriction of the use of certain hazardous substances in electrical and electronic equipment 2011/65/EU Annex II and its amendment Directive (EU) 2015/863.

EU Declaration of Conformity



This device meets the EU requirements on the limitation of exposure of the general public to electromagnetic fields by way of health protection.

Hereby, SPACEWALKER PTE. LTD. declares that the radio equipment type: [EasyRide 20-E], [EasyRide 20-D] and [EasyRide 20-S] are in compliance with Directive 2014/53/EU and 2006/42/EC. The full text of the EU declaration of conformity is available at the following internet address: www.naveetech.com

European Union Compliance Statement

Battery recycling information for the European Union



Batteries or packaging for batteries are labeled in accordance with European Directive 2006/66/EC and amendment 2013/56/EU concerning batteries and accumulators and waste batteries and accumulators. The Directive determines the framework for the return and recycling of used batteries and accumulators as applicable throughout the European Union. This label is applied to various batteries to indicate that the battery is not to be thrown away, but rather reclaimed upon end of life per this Directive.

In accordance with the European Directive 2006/66/EC and amendment 2013/56/EU, batteries and accumulators are labeled to indicate that they are to be collected separately and recycled at end of life. The label on the battery may also include a chemical symbol for the metal concerned in the battery (Pb for lead, Hg for mercury, and Cd for cadmium). Users of batteries and accumulators must not dispose of batteries and accumulators as unsorted municipal waste, but use the collection framework available to customers for the return, recycling, and treatment of batteries and accumulators. Customer participation is important to minimize any potential effects of batteries and accumulators on the environment and human health due to the potential presence of hazardous substances.

Before placing electrical and electronic equipment (EEE) in the waste collection stream or in waste collection facilities, the end user of equipment containing batteries and/or accumulators must remove those batteries and accumulators for separate collection.

Waste Electrical and Electronic Equipment (WEEE) Directive



All products bearing this symbol are waste electrical and electronic equipment (WEEE as in directive 2012/19/EU) which should not be mixed with unsorted household waste. Instead, you should protect human health and the environment by handing over your waste equipment to a designated collection point for the recycling of waste electrical and electronic equipment, appointed by the government or local authorities. Correct disposal and recycling will help prevent potential negative consequences to the environment and human health. Please contact the installer or local authorities for more information about the location as well as terms and conditions of such collection points.

Safety Warning



Danger!
Read user manual before use.



WARNING
Read carefully and keep for future reference.



WARNING
Hot Surface



Do not expose to moisture



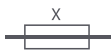
Light



SMPS incorporating a short-circuit-proof safety isolating transformer (inherently or non-inherently)



SMPS (Switch mode power supply unit)



Time-lag miniature fuse-link where X is the symbol for the time/current characteristic as given in IEC 60127



Audible warning to alert people



WARNING
For indoor use only (for the charger).



WARNING
Class II appliance



WARNING
Sharp Edges



The charger intended for use at altitudes not exceeding 5000m.



Turning indicator



Direct current



Alternating current



Polarity of the charger output, center positive


Battery Charger

WARNING

1. The charger is designed for indoor use only. Do not expose it to rain or snow.
2. Do not use for non-rechargeable batteries, as they can overheat and break.
3. Misuse other types of batteries may burst causing personal injury and damage.
4. Do not incinerate, disassemble or short circuit batteries.
5. If the performance of the batteries decrease substantially, it is time to replace the batteries.
6. Store the charger in a cool and dry place when not in use.
7. Disconnect the supply before making or breaking the connections to the battery.
8. Explosive gases. Prevent flames and sparks. Provide adequate ventilation during charging.
9. During charging, the battery must be placed in a Well Ventilated area.
10. Keep electrical appliances out of reach from Children or infirm persons. Do not let them use the appliances without supervision.
11. This appliance is not intended for use by persons (including children) with reduced physical, sensory or mental capabilities, or lack of experience and knowledge, unless they have been given supervision or instruction concerning use of the appliance by a person responsible for their safety. Children should be supervised to ensure that they do not play with the appliance.
12. This appliance can be used by children aged from 8 years and above and persons with reduced physical, sensory or mental capabilities or lack of experience and knowledge if they have been given supervision or instruction concerning use of the appliance in a safe way and understand the hazards involved. Children shall not play with the appliance. Cleaning and user maintenance shall not be made by children without supervision.
13. The external flexible cable or cord of this transformer cannot be replaced; if the cord is damaged, the transformer shall be scrapped.
14. If the supply cord is damaged, it must be replaced by a special cord or assembly available from the manufacturer or its service agent.

Charging instructions

1. Connect the charger directly to a power source. Never use extension cords.
2. The charger can only charge Lithium-ion battery.
3. Avoid reverse charging.
4. The chargers are not intended to charge automobile batteries.

 detachable power supply part

Battery Pack

WARNING

1. Do not dismantle, open or shred secondary cells or batteries.
2. Keep batteries out of the reach of children. Battery usage by children should be supervised. Especially keep small batteries out of reach of small children.
3. Seek medical advice immediately if a cell or a battery has been swallowed.
4. Do not expose cells or batteries to heat or fire. Avoid storage in direct sunlight.
5. Do not short-circuit a cell or a battery. Do not store cells or batteries haphazardly in a box or drawer where they may short-circuit each other or be short-circuited by other metal objects.
6. Do not remove a cell or battery from its original packaging until required for use.
7. Do not subject cells or batteries to mechanical shock.
8. In the event of a cell leaking, do not allow the liquid to come in contact with the skin or eyes. If contact has been made, wash the affected area with copious amounts of water and seek medical advice.
9. Do not use any charger other than that specifically provided for use with the equipment.
10. Observe the plus (+) and minus (-) marks on the cell, battery and equipment and ensure correct use.
11. Do not use any cell or battery which is not designed for use with the equipment.
12. Do not mix cells of different manufacture, capacity, size or type within a device.
13. Always purchase the battery recommended by the device manufacturer for the equipment.
14. Keep cells and batteries clean and dry.
15. Wipe the cell or battery terminals with a clean dry cloth if they become dirty.
16. Secondary cells and batteries need to be charged before use. Always use the correct charger and refer to the manufacturer's instructions or equipment manual for proper charging instructions.
17. Do not leave a battery on prolonged charge when not in use.
18. After extended periods of storage, it may be necessary to charge and discharge the cells or batteries several times to obtain maximum performance.
19. Retain the original product literature for future reference.
20. Use the cell or battery only in the application for which it was intended.
21. When possible, remove the battery from the equipment when not in use.
22. Dispose of properly.

1. Consignes de sécurité

Traduction de la notice originale

IMPORTANT : À lire attentivement et à conserver pour consultation ultérieure. Rendez-vous sur www.naveetech.com pour consulter l'e-manuel détaillé.

- **C**onserver les instructions imprimées pour consultation ultérieure et les lire attentivement avant utilisation.
- **C**e produit n'est pas destiné à être utilisé par des personnes (y compris des enfants) aux capacités physiques, sensorielles ou mentales réduites ou manquant d'expérience et de connaissance, sauf s'ils sont sous la surveillance d'une personne responsable de leur sécurité ou s'ils ont reçu des instructions sur la manière d'utiliser le produit.
 - L**es enfants doivent être surveillés pour s'assurer qu'ils ne jouent pas avec le produit.
- **C**e produit est conçu pour des personnes de 8 ans et plus. Les enfants ne doivent pas jouer avec ce produit.
 - L**e nettoyage et l'entretien du produit ne doivent pas être effectués par des enfants sans supervision.
- **L**e produit doit être utilisé uniquement avec le bloc d'alimentation fourni.
- **A**vant de rouler, veuillez porter un casque, des protections pour les mains et les poignets, des genouillères, des coudières et d'autres équipements de protection à tout moment.
 - U**ne conduite inappropriée peut provoquer des chutes ou des accidents graves.
- **L**a trottinette doit être utilisée par une seule personne à la fois. Obligation de toujours porter des chaussures.
 - N**e détournez pas l'usage du véhicule. **C**e produit est destiné uniquement à l'usage personnel et n'est pas conçu pour une utilisation acrobatique ou cascadeuse.
- **C**ette trottinette électrique est un appareil de loisirs. **C**ependant, lorsque vous êtes dans un espace public, la trottinette est considérée comme un véhicule sujet à des risques potentiels.
- **P**our votre sécurité, veuillez suivre les instructions contenues dans le manuel ainsi que les lois et réglementations locales en matière de circulation routière.
 - I**l convient que l'utilisateur vérifie les limites d'utilisation conformément à la réglementation locale en vigueur (par exemple, utilisation en zone piétonne, sur route).
- **C**e produit est recommandé pour les personnes âgées de plus de 16 ans et de moins de 50 ans Les personnes pour lesquelles ce produit n'est pas adapté incluent : (1) les personnes étant sous influence de l'alcool ou de drogues, (2) les personnes étant dans l'incapacité d'entreprendre des activités physiques intenses en raison de leur santé ou de leur condition physique, (3) les personnes étant dans l'incapacité de garder leur équilibre ou ne pouvant garder leur équilibre en raison d'une déficience motrice, (4) les personnes dont le poids est supérieur à la limite autorisée pour le produit, (5) les femmes enceintes, (6) les personnes souffrant d'un handicap visuel et/ou auditif.
- **R**espectez les lois et réglementations locales quand vous roulez. **N**e roulez pas dans les endroits interdits par les lois locales.
- **Q**uand vous roulez dans des pays ou des régions où il n'existe aucun standard ni aucune réglementation

national(e) pertinent(e), veillez à suivre strictement les consignes de sécurité de ce manuel d'utilisation à l'attention des conducteurs. SPACEWALKER PTE. LTD. n'assumera aucune responsabilité directe ou conjointe pour les pertes matérielles, personnelles, les accidents, les litiges d'ordre juridique et autres événements préjudiciables pouvant causer des conflits d'intérêt en raison d'un non-respect des consignes d'utilisation.

- Ne roulez pas sur les voies de circulation ou les zones résidentielles où les véhicules et les piétons sont tous deux autorisés. Quand vous passez par un endroit destiné aux piétons et où ils ont la priorité, comme un passage piéton, descendez pour marcher avec la trottinette à la main.
- Ne choisissez pas pour votre première sortie des endroits où les enfants, les piétons, les animaux domestiques, les vélos ou autres obstacles et dangers potentiels peuvent survenir.
- Les préparatifs nécessaires à l'utilisation de ce produit consistent à s'assurer que le système de direction soit correctement réglé, que tous les accessoires connectés (tels que le système de pliage) soient correctement serrés et ne soient pas endommagés, et que les freins et les roues soient en bon état.
- Prenez le temps d'apprendre les bases de la pratique pour éviter tout accident grave pouvant survenir dans les premiers mois. Informations sur la pratique et l'utilisation en toute sécurité (disponibles sur le site Internet : www.naveetech.com)
- Veuillez allumer les phares et ralentir lorsque vous conduisez dans des conditions de faible luminosité.
- Effectuez une inspection de base de la trottinette électrique avant chaque sortie. En cas de situation anormale, comme des pièces desserrées, une alerte de batterie faible, des pneus dégonflés ou une usure excessive des pneus, des sons étranges, des dysfonctionnements et autres situations anormales, arrêtez immédiatement de rouler et faites appel à un professionnel.
- Attention, le frein peut monter en température lorsqu'il est utilisé. Ne pas le toucher après utilisation.
- Les écrous autobloquants et les autres fixations autobloquantes peuvent perdre de leur efficacité et avoir besoin d'être resserrés.
- Comme l'efficacité du freinage ainsi que le frottement entre le pneu et la route se détériorent par temps humide, il est plus difficile de contrôler la vitesse et plus facile de perdre le contrôle. Ralentissez et freinez tôt lorsqu'il pleut.
- Prenez des précautions lorsque vous conduisez, et faites attention à votre sécurité, à la circulation et aux piétons. Évitez les zones à fort trafic et encombrées. Si vous avez une pente (qui ne doit pas excéder 6°) celle-ci doit être mise impérativement dans les positions suivantes.
- Ce véhicule n'est pas destiné à un usage acrobatique.
- Cette trottinette ne doit être utilisée que par une seule personne à la fois.
- Pour rouler en toute sécurité, vous devez voir clairement ce qui est en face de vous et être clairement visible pour les autres.
- Ne conduisez pas par mauvais temps, quand la visibilité est mauvaise ou après une activité physique intense.
- Assurez-vous que la béquille soit positionnée sur une surface plane et que la trottinette est suffisamment stable avant de la quitter.
- La trottinette électrique est un équipement de loisir. Toutefois, quand vous pénétrez dans un lieu public, le sera considéré comme un moyen de transport et vous soumettra aux mêmes risques de sécurité éventuels que tous les autres modes de transport. Le strict respect des instructions contenues dans ce manuel vous protégera, vous et les autres.
- L'utilisateur doit se renseigner sur les limites d'utilisation de la trottinette selon la réglementation locale. Conduisez la trottinette sur les routes et dans les zones autorisées par les lois et les réglementations locales

et garez-la dans les zones autorisées. Si les lois et les réglementations locales ont des dispositions différentes concernant la vitesse maximale autorisée, les lois et les réglementations prévalent. Veuillez respecter les règles du code de la route.

- Respectez les passages réservés aux piétons. Essayez de ne pas les surprendre quand vous roulez, particulièrement les enfants. Quand vous roulez derrière des piétons, actionnez la sonnette pour les prévenir et ralentissez pour les dépasser sur leur gauche, et maintenez votre droite en roulant lentement quand vous passez au milieu des piétons (dans les pays où les véhicules roulent à droite). Quand vous roulez au milieu des piétons, roulez le plus lentement possible ou descendez de la trottinette.
- Dans tous les cas, anticipez votre trajectoire et votre vitesse en respectant le code de la route et les réglementations sur les trottoirs et en respectant les plus vulnérables. Avertissez de votre présence quand vous approchez d'un piéton ou d'un cycliste quand vous n'êtes pas visible ou audible. Traversez aux passages piétons quand vous marchez. Traversez aux passages piétons quand vous marchez. Évitez les zones à circulation dense ou les zones bondées.
- Le fait de rouler à grande vitesse ou à une vitesse non adaptée à la situation (mauvais temps, terrain en mauvais état ou autres conditions similaires) peut conduire à une perte de stabilité ou à une perte de contrôle. Pour éviter tout risque, vous devez respecter toutes les instructions contenues dans ce manuel Soyez prudent quand vous montez ou démontez ce produit, car il peut tomber et causer des blessures.
- La circulation en ville présente de nombreux obstacles tels que des bordures et des marches. Il est recommandé d'éviter de sauter les obstacles. Il est important d'anticiper et d'adapter votre trajectoire et votre vitesse à ceux des piétons avant de passer ces obstacles Il est également recommandé de descendre de la trottinette quand ces obstacles deviennent dangereux en raison de leur forme, leur hauteur ou leur manque d'adhérence.
- Ne prêtez pas votre trottinette à une personne qui ne connaît pas son fonctionnement. Avant de prêter la trottinette électrique, assurez-vous que la personne a lu ce manuel et a regardé la vidéo de présentation et qu'elle a compris le fonctionnement de l'engin. Il est rappelé aux conducteurs de porter correctement les équipements de protection pour assurer leur sécurité.
- Contactez votre vendeur pour connaître des organismes de formation compétents.
- Dans tous les cas, soyez attentifs à vous-même et aux autres.
- Toute charge attachée au guidon affectera la stabilité du véhicule.
- Ne touchez pas le système de freinage pour éviter des blessures dues aux bords coupants. Le frein peut chauffer pendant l'utilisation. Ne pas le toucher après l'avoir utilisé.
- Le niveau sonore avec la pondération A est inférieur à 70 dB(A).
- Les vibrations mécaniques transmises par le scooter sont inférieures à 2,5 m/s².
- Pour une meilleure expérience de conduite, il est recommandé d'effectuer une maintenance régulière du produit.
- Supprimez tout bord tranchant causé par l'usure.
- Les accessoires et les autres éléments qui ne sont pas approuvés par le fabricant ne doivent pas être utilisés.
- La maintenance régulière du véhicule est un facteur de sécurité.
- Les écrous auto-serrants ainsi que les autres fixations auto-serrantes peuvent perdre de leur efficacité et il peut être nécessaire de les resserrer.
- Contrôlez régulièrement le serrage des divers éléments vissés, en particulier les axes des roues, le système pliant, le système de direction et l'arbre de frein.
- Ne modifiez pas et ne transformez pas le véhicule, que ce soit la colonne et les manchons de direction, la

potence, le mécanisme de pliage ou le frein arrière.

- N'apportez aucune modification qui ne soit pas mentionnée dans les instructions.
- Assurez-vous d'éteindre la trottinette pour le transport et de la conserver dans son emballage d'origine si possible.
- Pour éviter des blessures accidentelles telles que des chocs électriques et des incendies en raison d'une mauvaise utilisation, veuillez lire les instructions attentivement avant d'utiliser la trottinette et conservez-les soigneusement pour vous y référer ultérieurement.
- Veuillez utiliser le produit conformément aux instructions contenues dans le manuel de l'utilisateur. Les utilisateurs sont responsables de toute perte ou dommage résultant d'une mauvaise utilisation de ce produit.
- Éteignez le véhicule ou mettez-le en mode non opérationnel pendant la charge.
- Ne chargez pas la trottinette si le port de charge ou le câble de charge est mouillé. Lisez ce manuel attentivement avant de charger.
- Ne chargez pas la trottinette par une température ambiante supérieure à 40 ° C ou inférieure à 0 ° C.
- Il est nécessaire de vérifier que le système de direction est bien réglé, que tous les éléments de liaison (tels que le système de pliage) sont bien serrés et ne sont pas cassés, et que les freins et les roues sont en bon état. Utilisez une clé pour régler la vis si vous sentez que le levier de frein est trop serré ou trop lâche.
- Ne pas toucher le disque de frein.
- Prendre le temps d'apprendre les bases de la pratique pour éviter qu'un accident grave ne survienne lors des premiers mois. Se rapprocher du vendeur pour être orienté vers un organisme de formation approprié.
- Signaler sa présence à l'approche d'un piéton ou d'un cycliste qui risque de ne pas avoir vu ou entendu le véhicule.
- Ne pas détourner le véhicule de son usage initial.
- Contrôler régulièrement le serrage des différents éléments boulonnés, notamment les axes de roue, le système de pliage, le système de direction et l'axe de frein.
- Eliminer les arêtes vives engendrées par l'utilisation.
- Obligation de porter des chaussures en permanence.
- Aucune lubrification n'est nécessaire pour l'entretien du véhicule.
- Puissance nominale continue maximale du moteur électrique: 350 W.
- Taille maximum et minimum de l'utilisateur: 120-200 cm. Poids maximum de l'utilisateur: 110 kg.
- Surfaces adaptées: Ciment, asphalte et chemins de terre ; avec des bernes inférieures à 1 cm et des crevasses inférieures à 3 cm.
- Veuillez rouler sur un terrain plat, propre et sec et, si possible, à distance des autres usagers de la route.
- Veuillez garder une distance de sécurité lorsque le scooter roule sur une route plate ou sans pente. La distance de freinage augmentera par temps humide.
- L'absorption des chocs de ce produit n'est pas ajustable (le cas échéant).
- L'appareil n'est pas destiné à être utilisé à des altitudes supérieures à 2000 m au-dessus du niveau de la mer.
- L'appareil doit être déconnecté de sa source d'alimentation pendant l'entretien et le remplacement des pièces.
- Le câble souple externe de ce transformateur ne peut pas être remplacé, en cas d'endommagement du cordon, il

convient de mettre le transformateur au rebut.

- Si le câble ou le cordon flexible externe de ce transformateur est endommagé, il doit être remplacé par le fabricant, son agent de service ou une personne de qualification similaire afin d'éviter tout danger.
- Si le cordon d'alimentation est endommagé, il doit être remplacé par le fabricant, son agent de service ou une personne de qualification similaire afin d'éviter tout danger.
- Ce produit contient des batteries qui ne peuvent être remplacé que par des personnels qualifiés ou le service après-vente.
- Cet appareil contient des batteries qui ne peuvent être remplacées que par des personnes qualifiées.
- **ATTENTION ! Pour recharger la batterie, utilisez uniquement le bloc d'alimentation amovible fourni avec l'appareil. N'utilisez pas de chargeur de batterie provenant d'un autre produit. Gardez une distance de sécurité par rapport aux combustibles environnants lors de la recharge, le véhicule doit être placé dans un endroit bien ventilé.**
- **ATTENTION ! N'utilisez pas la batterie ou l'adaptateur secteur de quelqu'un d'autre. À utiliser uniquement avec le bloc d'alimentation FY0422521500E.**
- **ATTENTION ! Gardez l'emballage plastique à distance des enfants pour éviter un risque de suffocation.**
- **AVERTISSEMENT ! N'utilisez jamais ce produit à proximité d'une source d'eau.**
- **AVERTISSEMENT ! Arrêtez d'utiliser le produit lorsqu'il est endommagé.**
- **ATTENTION ! Comme avec tout composant mécanique, un véhicule est soumis à de fortes contraintes et à une forte usure. Les divers matériaux et composants peuvent réagir différemment à l'usure ou sous un usage intensif. Si la durée de vie prévue pour un composant est dépassée, il peut se briser soudainement et causer éventuellement des blessures à l'utilisation. Les craquelures, les éraflure et la décoloration des zones soumises à de fortes contraintes indiquent que le**

composant a dépassé sa durée de vie. Contactez un réparateur autorisé ou spécialisé.

Faites attention aux risques que posent les points d'écrasement et de pincement de doigt dans les positions suivantes pendant l'utilisation :

1. Entre le guidon et la potence lors de l'installation du guidon.
2. Ouvertures sur les roues.
3. Entre le garde-boue avant et le pont.
4. Entre le levier de libération rapide et le verrou du levier de libération rapide, et entre le joint de pliage et la potence lors du pliage ou du dépliage.
5. Entre les garde-boue et les roues.



FR

**Cet appareil,
ses accessoires,
piles et cordons
se recyclent**

REPRISE
À LA LIVRAISON

OU

À DÉPOSER
EN MAGASIN

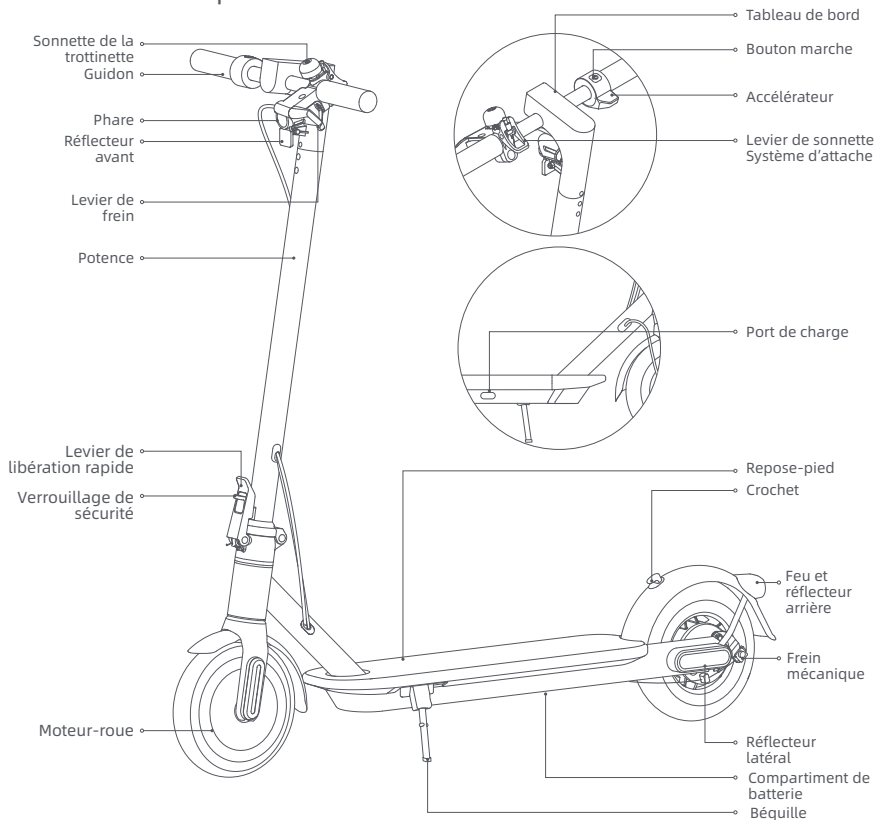
OU

À DÉPOSER
EN DÉCHÈTERIE

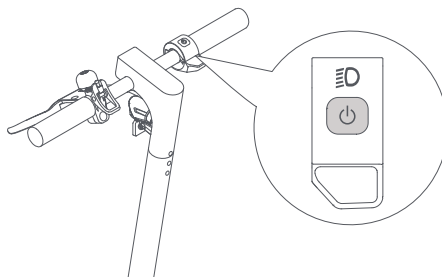
Points de collecte sur www.quefairedemesdechets.fr
Privilégiez la réparation ou le don de votre appareil !

2. Présentation du produit

Trottinette électrique

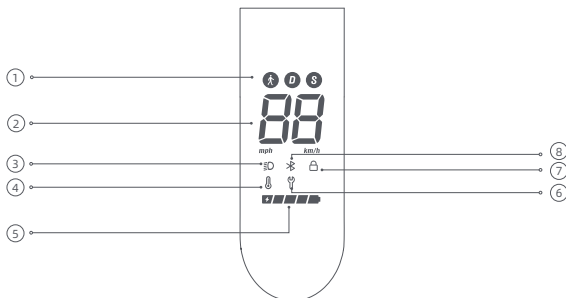


Mise sous tension/hors tension





Appuyez sur le bouton ⏻ pour allumer la trottinette et appuyez sur le bouton ☾ pendant 2 à 3 secondes pour éteindre la trottinette. Allumez la trottinette, appuyez une fois pour allumer/éteindre le phare et le feu arrière, puis appuyez deux fois pour changer de mode de navigation.

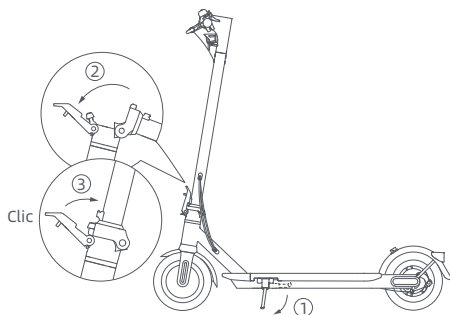
Tableau de bord



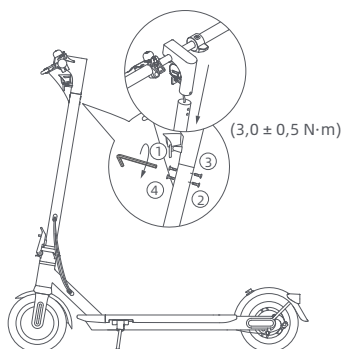
- ① Modes de conduite: 🚶 est pour le mode marche, sa vitesse maximum est de 6 km/h. Le feu arrière clignote rouge quand ce mode est activé. D est pour le mode standard. S est pour le mode sport.
- ② Compteur de vitesse: Il affiche la vitesse quand la trottinette est en marche. En cas de problème sur la trottinette, il affiche un code d'erreur. Quand la trottinette est en charge, il affiche le niveau de batterie.

- ③ Lumière :  l'éclairage signifie que le phare et le feu arrière sont allumés, et  l'extinction indique que le phare et le feu arrière sont éteints. Allumez la trottinette, et appuyez sur le bouton d'alimentation pour allumer ou éteindre le phare et le feu arrière.
- ④ Alerte de température: Si la température de la batterie est trop élevée ou trop basse, l'icône du thermomètre s'allume. Attendez que la température de la batterie soit revenue dans la plage normale pour l'utiliser ou la charger.
- ⑤ Niveau de batterie: Le niveau de batterie est indiqué par 5 barres, chacune représentant environ 20% de la batterie pleine.
- ⑥ Notification d'erreur: Quand l'icône de la clé s'affiche en rouge, cela indique qu'il y a une panne sur la trottinette.
- ⑦ Verrouillage : Lorsque l'icône s'allume, cela indique que la trottinette est verrouillée. Vous pouvez verrouiller / déverrouiller la trottinette via l'application NAVEE.
- ⑧ Bluetooth: L'icône Bluetooth est toujours allumée, indiquant que la trottinette s'est bien connectée à l'appareil mobile.

Assemblage



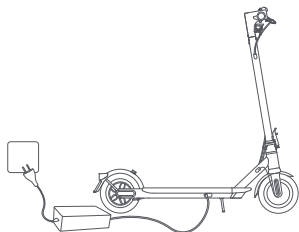
1. Sortez la trotinette du carton et la poser sur un sol stable et plat. Déployez ensuite la béquille, dressez complètement la colonne verticale en position droite et poussez la poignée de pliage à fond vers l'intérieur.



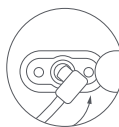
2. Pour installer le guidon sur la potence, il vous suffit de positionner le guidon sur la partie supérieure de la potence en prenant soin d'aligner les trous présents sur la potence avec ceux situés sur la partie inférieure du guidon. Assurez-vous également que le câble reliant le guidon à la potence soit soigneusement inséré à l'intérieur de cette dernière. Suivez l'ordre des numéros comme sur l'image pour pré-serrer les quatre vis avec la clé Allen incluse. Assurez-vous que le guidon est correctement installé puis serrez les vis complètement.

Charge

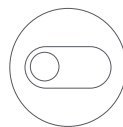
La trottinette est entièrement chargée quand la LED de l'adaptateur secteur passe du rouge au vert.



1. Ouvrez le capot du port de charge.



2. Branchez l'adaptateur secteur au port de charge.



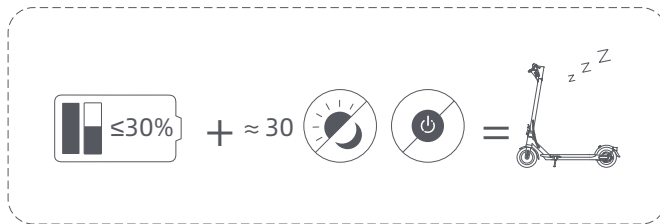
3. Après la charge, retirez la fiche et refermez soigneusement le capot du port de charge.



ATTENTION !

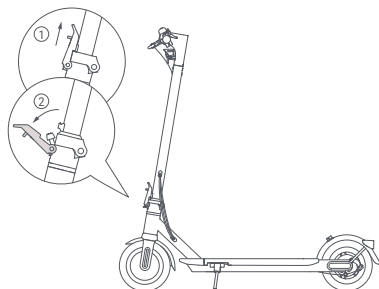
Utilisez uniquement l'adaptateur secteur d'origine pour éviter d'éventuels dommages ou incendies. Éteignez le véhicule ou sélectionnez un mode non opérationnel pendant la charge.

Chargez votre trottinette à l'intérieur et ne la laissez jamais prendre la pluie. Ne chargez pas quand le port de charge ou le câble d'alimentation sont mouillés. Si la batterie est endommagée ou détrempée, il est interdit de la charger ou de continuer de l'utiliser.

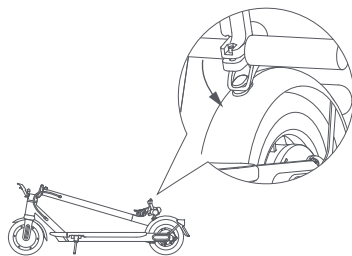


Lorsque la trottinette est éteinte pendant environ un mois ayant le niveau de batterie étant inférieur à 30%, la trottinette entrera en mode veille. Dans ce cas, la trottinette ne peut pas être démarrée. Pour quitter le mode veille, charger la trottinette pendant environ trois secondes pour activer la batterie.

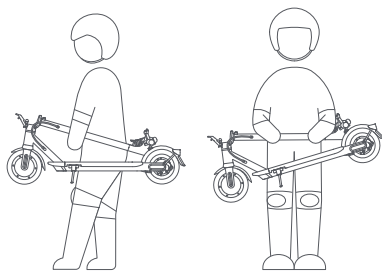
Pliage



Tenez la potence, appuyez sur le verrouillage de sécurité et tirez le levier de libération rapide, puis pliez la potence.

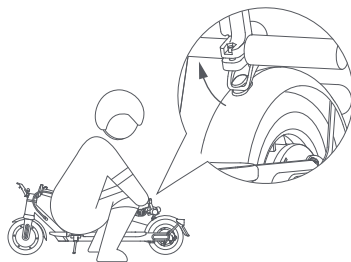


Alignez le système d'attache avec le crochet et attachez-les ensemble.



Tenez la potence avec une ou deux main(s) pour la transporter.

Dépliage



Tirez le système d'attache vers le haut pour libérer le crochet. Tenez la potence puis soulevez le verrouillage de sécurité et poussez le levier de libération rapide à fond vers l'intérieur.

Astuces de sécurité : Quand vous soulevez la potence de la trottinette, ne mettez JAMAIS vos mains au niveau des parties pliantes pour éviter des blessures graves.

3. Entretien et maintenance

Nettoyage

Avant de nettoyer la trottinette, vous devez couper l'alimentation, débrancher les câbles de charge et refermer soigneusement le capot du port de charge.

Essuyez le châssis principal avec un chiffon doux humide. La saleté résistante peut être frottée avec une brosse à dent. Essayez ensuite toutes les parties avec un chiffon sec.

ATTENTION !

- Ne lavez pas la trottinette avec de l'eau à haute pression.
- Ne nettoyez pas la trottinette avec un nettoyant corrosif, qui abîmerait la structure externe et interne de la trottinette.

Batterie

Rechargez toujours la batterie avant qu'elle soit à plat pour prolonger sa durée de vie.

Que ce soit pendant les déplacements, le stockage ou la charge, la température limite spécifiée ne doit pas être dépassée (voir les spécifications). Le non-respect des instructions d'utilisation, de stockage ou de charge peut conduire à des dommages sur la batterie, un échec de la charge et une annulation de la garantie.

La trottinette à pleine charge a une durée de veille approximative de 120-180 jours. Si elle n'est pas utilisée pendant longtemps, elle doit être rechargée tous les 60 jours. Faites attention à ce délai pour éviter des dommages irréversibles sur la batterie dus à un défaut de charge.

ATTENTION !

- N'utilisez pas de blocs batterie d'autres modèles ou marques, cela constituerait un risque pour votre sécurité.
- Utilisez uniquement l'adaptateur secteur d'origine pour éviter d'éventuels dommages ou incendies.
- Si la batterie est endommagée ou détrempée, ne la chargez pas et ne continuez pas à l'utiliser.
- Ne retirez pas la batterie. Le retrait de la batterie est complexe et une mauvaise opération peut affecter le fonctionnement de la trottinette.

Stockage

Si la trottinette n'est pas utilisée pendant longtemps, chargez-la à fond puis éteignez-la avant de la stocker dans un endroit frais et sec. Assurez-vous d'éteindre la trottinette pour le transport et de la conserver dans son emballage d'origine si possible.

ATTENTION !

- Ne laissez pas trop longtemps la trottinette en plein soleil ou dans un endroit extrêmement humide.
- Ne placez pas la trottinette à proximité de matières inflammables.
- Ce produit contient une batterie lithium intégrée et doit être transporté uniquement quand cela est autorisé par les lois et réglementations locales.

Consignes de recyclage

La trottinette contient un bloc batterie lithium-ion rechargeable, et une mauvaise élimination de ces batteries peut être nocive à l'environnement. Suivez les étapes ci-dessous pour retirer les batteries avant de jeter la trottinette et d'éliminer les batteries correctement :

1. Avant de retirer la batterie, éteignez-la et videz-la complètement. Retirez ensuite le plateau du repose-pieds et dévissez les vis de fixation situées entre la pédale et le cadre pour ouvrir la pédale.
2. Débranchez le raccord de la batterie puis retirez les batteries. N'endommagez pas le boîtier de la batterie pour éviter tout risque de blessure. N'utilisez pas la batterie si elle est endommagée, si elle dégage une odeur étrange, de la fumée ou si elle est en surchauffe. Toute batterie présentant une fuite doit être tenue à l'écart des autres objets.
3. Déposez les batteries retirées dans un établissement de recyclage spécialisé.

AVERTISSEMENT: Comme il en est de tout composant mécanique, un véhicule est soumis à de fortes contraintes et à l'usure. Les divers matériaux et composants peuvent réagir différemment à l'usure ou à la fatigue. Si l'on dépasse la durée de vie prévue pour un composant, il peut se rompre soudainement et risquer de blesser l'utilisateur. Les fissures, rayures et décolorations dans les zones soumises à de fortes contraintes indiquent que le composant a dépassé sa durée de vie et qu'il convient de le remplacer.

Périodicité d'entretien du scooter (Recommandée) :

L'entretien régulier du scooter peut aider à garder le scooter propre et en bon état ; il permet également de prévenir les risques de sécurité, de minimiser les pannes, de ralentir la détérioration du scooter et de prolonger la durée de vie du scooter.

Article	Objet du Service	Actions	Tous les mois	Tous les 3 mois	Tous les 500 km/ 6 mois	Tous les 1000 km/ 1 an	Tous les 10000 km/ 3 ans
Pneus	Usure de la Bande de Roulement	Vérifier si le pneu est fissuré, déformé, usé, etc.			√	√	√
Vis	Vis de l'Ensemble Guidon	Serrer la vis qui relie l'ensemble guidon à l'ensemble potence (avec le couple recommandé à $3,0 \pm 0,5$ N-m).		√	√	√	√
		Serrer la vis de l'accélérateur (avec le couple recommandé à $1,6 \pm 0,1$ N-m).				√	√
		Serrer la vis du levier de frein (avec le couple recommandé à $5,5 \pm 0,5$ N-m).					

Article	Objet du Service	Actions	Tous les mois	Tous les 3 mois	Tous les 500 km/ 6 mois	Tous les 1000 km/ 1 an	Tous les 10000 km/ 3 ans
Fonctions	Réglage des Freins	<p>Avant de procéder au réglage, assurez-vous que le scooter est éteint et qu'il n'est pas en charge. Outil : clé hexagonale de 5 mm (l'outil doit être préparé par l'utilisateur).</p> <p>Pendant le réglage, tirez sur l'extrémité du câble de frein pour le serrer.</p> <p>Remarques :</p> <ul style="list-style-type: none"> - Si le frein est trop serré, utilisez l'outil pour desserrer la vis en la tournant dans le sens inverse des aiguilles d'une montre, tirez le culbuteur du frein à disque vers l'extérieur, puis serrez la vis. Si le frein est trop lâche, utilisez l'outil pour desserrer la vis en la tournant dans le sens inverse des aiguilles d'une montre, poussez le culbuteur du frein à disque vers l'avant, puis serrez la vis. <p>Avertissement : Ne réglez pas le frein trop serré, sinon la roue avant peut se bloquer pendant le freinage, entraînant le basculement vers l'avant de la trottinette.</p>			√	√	√
	Recharge	Recharger le scooter à une température appropriée. L'indicateur du chargeur de batterie est rouge lorsque le scooter est en charge, et devient vert lorsque le scooter est complètement chargé. Le panneau de commande affiche simultanément l'état de charge pendant la charge.			√	√	√
	Direction	Tourner le guidon de 60° vers la gauche et la droite pour vous assurer que l'angle de braquage est correct et que le guidon ne présente aucune résistance ni stagnation.				√	√
Composants Importants	Ensemble Batterie	Recharger complètement le scooter avant de cesser de l'utiliser pendant une longue période, et mettez-le en charge tous les 60 jours.					√

Si les roues, les plaquettes de frein et d'autres pièces vulnérables sont usées ou endommagées et doivent être remplacées, veuillez contacter le service après-vente à temps.

Pour trouver un atelier agréé, veuillez contacter: service@navee.tech/www.naveetech.com

4. Résolution des pannes

Codes d'erreur	Raisons	Solutions
E1	Panne du tableau de bord	Contactez le service après-vente pour la détection et la réparation de la panne.
E2/E3/E4/E5/E6	Panne du contrôleur	
H3	Panne de l'accélérateur	Vérifiez que l'accélérateur est bien revenu en position, sinon il ne peut pas fonctionner correctement.
		Contactez le service après-vente dans les meilleurs délais pour une détection et une réparation de la panne si le faisceau de câbles de l'accélérateur est débranché ou endommagé.
H4	Défaillance des freins	Vérifiez que le levier de frein est bien revenu en position, sinon il ne peut pas fonctionner correctement.
		Si le câble du levier de frein se détend ou est endommagé, veuillez contacter le service après-vente immédiatement pour faire inspecter et réparer le produit.
H5	Panne du moteur	Contactez le service après-vente pour la détection et la réparation de la panne.

Avertissement de sécurité



Danger!
Lisez le manuel de l'utilisateur avant toute utilisation.



AVERTISSEMENT
Lire attentivement et conserver le manuel pour toute référence future.



AVERTISSEMENT
Surface Chaude



Ne pas exposer à l'humidité



Éclairage



SMPS incorporant un transformateur d'isolement de sécurité résistant aux courts-circuits (intrinsèquement ou non)



SMPS (unité d'alimentation en mode interrupteur)



Fusible miniature à retardement où X est le symbole de caractéristique délai/courant comme indiqué dans IEC 60127.



Avertissement sonore pour alerter les personnes



AVERTISSEMENT
Pour une utilisation à l'intérieur uniquement (pour le chargeur).



AVERTISSEMENT
Appareil de Classe II



AVERTISSEMENT
Bords Tranchants



Les chargeur sont conçus pour être utilisés à des altitudes ne dépassant pas 5000 mètres.



Feu de direction



Courant continu



Courant alternatif



Polarité de sortie de chargeur, centre positif

DÉCLARATION DE CONFORMITÉ DE L'UE

Appareil/équipement

Produit : NAVEE Electric Scooter **Modèle** : E20-R, EasyRide 20-E, EasyRide 20-D, EasyRide 20-S, E25-R, EasyRide 25 Pro-E, EasyRide 25 Pro-D, EasyRide 25 Pro-S

Numéro de lot ou de série:

T2417XXXXXXXXXXXX, T2417XXXXXXXXXXXX, T2417XXXXXXXXXXXX, T2417XXXXXXXXXXXX, T2422XXXXXXXXXXXX, T2422XXXXXXXXXXXX, T2422XXXXXXXXXXXX, T2422XXXXXXXXXXXX

(X represents any number from 0-9 or any letter from A to Z except O and I.)

Fabricant ou son représentant agréé :

Nom : SPACEWALKER PTE. LTD.

Adresse : 60 PAYA LEBAR ROAD #07-54 PAYA LEBAR SQUARE (405091)

Pays : SINGAPORE

Représentant agréé des fabricants pour l'UE

Brightway Technology (Netherlands) B.V.

Weerdestein 97, 1083 GG, Amsterdam, The Netherlands

Email Address: info-EU@navee.tech Contact: Fred Chang Fonction: Manager

Cette déclaration de conformité est publiée sous la seule responsabilité du fabricant.

Objet de la déclaration : Ci-dessus

L'objet de la déclaration décrit ci-dessus est en conformité avec les directives et/ou les lois relatives à l'harmonisation des législations suivantes de l'Union européenne :

Directive relative aux équipements radio (RED) (2014/53/UE)

Limitation de l'utilisation de certaines substances dangereuses (RoHS) (2011/65/UE)

Directive Machines (MD) (2006/42/CE)

Références aux normes harmonisées pertinentes utilisées, y compris la date de la norme, ou références aux autres agréments techniques, y compris la date de l'agrément, par rapport auquel la conformité est déclarée :

Norme harmonisée

EN 60335-1:2012+A11:2014+A13:2017+A1:2019+A
14:2019+A15:2021+A2:2019+A16:2023

EN 62233:2008

EN 62479:2010

EN 301 489-1 V2.2.3:2019

EN 301 489-17 V3.2.4:2020

EN 50663:2017

EN 300 328 V2.2.2:2019

EN 17128:2020

EN ISO12100:2010

EN IEC 63000:2018

IEC 62321-3-1:2013, IEC 62321-4:2013+A1:2017,

IEC 62321-5:2013, IEC 62321-6:2015, IEC 62321-7-1:2015,

IEC 62321-7-2:2017, IEC 62321-8:2017

Signé pour et au nom de

Lieu et date d'émission:

Signature:

Nom, fonction:

Laborateur de test

LCIE China Company Limited.

LCIE China Company Limited.

LCIE China Company Limited.

Zhejiang Novi Total Quality Assurance Co., Ltd.

SPACEWALKER PTE. LTD.

SINGAPORE, 2025-01-08



Wentao Shi, Certificate Engineer

5. Caractéristiques

Produit	Nom	NAVEE Electric Scooter		
	Modèle	EasyRide 20-E	EasyRide 20-D	EasyRide 20-S
Dimensions	Véhicule : L x l x H (mm) ^[1]	1093 x 466 x 1098		
	Après pliage : L x l x H (mm)	1091 x 463 x 435		
Poids net	Poids net du véhicule (kg)	14,0		
Utilisateur	Plage de charge (kg)	25 à 90		
	Âge (années)	16 à 50		
	Taille (cm)	120 à 200		
Trottinette électrique assemblée	Vitesse maximale (km/h)	25	20	20
	Plage générale (km) ^[2]	Environ 20		
	Angle maximum de montée (%)	Environ 14		
	Surfaces adaptées	Route revêtu en ciment et d'asphalte, avec des bermes inférieures à 1 cm ou des crevasses inférieures à 3 cm.		
	Température de fonctionnement (°C)	-10 à 40		
	Température de stockage (°C)	-20 à 45		
	Indice de protection (IP)	IPX5		
	Temps de charge (h)	Environ 6		
Bloc de batterie	Modèle	T2417-B63A		
	Tension nominale (VCC)	21,6		
	Tension d'entrée maximale (VCC)	25,2		
	Énergie nominale (Wh)	165,24		
	Système intelligent de gestion de batterie	Surchauffe, court-circuit, surintensité, surcharge et protection contre la surcharge		
	Plage de températures de charge normales (°C)	0 à 40		
	Capacité nominale (Ah)	7,65		
Moteur-roue	Puissance nominale (kW ; W)	0,3; 300	0,3; 300	0,25; 250
	Modèle ^[3]	FY0422521500E		
Chargeur de batterie	Puissance de sortie (kW ; W)	0,0378; 37,8		
	Entrée	100-240 V~ 50/60 Hz		
	Puissance de sortie nominale (VCC ; A)	25,2; 1,5		
Pneu	Pneus avant et arrière	Pneus creux intérieurs sans entretien		
Bluetooth	Bande de fréquences (s)	2,4000 à 2,4835 GHz		
	Puissance d'émission maximale (dBm)	8		

[1] Hauteur du véhicule : depuis le sol jusqu'en haut de la trottinette.

[2] Plage générale : mesurée à 25 °C lorsqu'il n'y a pas de vent, la trottinette entièrement chargée et roulant à une vitesse régulière de 15 km/h sur une surface plane avec une charge de 75 kg.

[3] Ne rechargez la batterie qu'avec le chargeur fourni dans l'emballage. Consultez les paramètres du chargeur de batterie dans la section Caractéristiques.

6. Certifications

Directive relative à la limitation de l'utilisation de certaines substances dangereuses (RoHS)

Ce produit de SPACEWALKER PTE. LTD. avec les pièces incluses (câbles, cordons, et autres) répond à la restriction d'utilisation de certaines substances dangereuses dans l'Annexe II 2011/65/UE et sa Directive d'amendement (UE) 2015/863 sur les équipements électriques et électroniques.

Déclaration de conformité pour l'Union européenne



Cet équipement répond aux exigences relatives à la limitation de l'exposition du public aux champs électromagnétiques dans le cadre de la protection de la santé.

Par la présente, SPACEWALKER PTE. LTD. déclare que cet équipement radio de type :[EasyRide 20-E], [EasyRide 20-D] et [EasyRide 20-S] est conforme aux Directives 2014/53/UE et 2006/42/EC. L'intégralité de la déclaration de conformité pour l'UE est disponible à l'adresse suivante : www.naveetech.com

Déclaration UE de conformité

Informations sur recyclage des batteries pour l'Union européenne



Les batteries et l'emballage pour les batteries sont étiquetés conformément à la directive européenne 2006/66/CE et à l'amendement 2013/56/UE relatifs aux batteries et accumulateurs, ainsi qu'aux batteries et aux accumulateurs usagés. La directive détermine le cadre pour le retour et le recyclage des batteries et accumulateurs usagés, applicable pour toute l'Union européenne. Cette étiquette est appliquée sur différentes batteries pour indiquer qu'elles ne doivent pas être jetées, mais qu'elles doivent être recyclées au terme de sa durée de vie utile selon cette directive.

Conformément à la directive européenne 2006/66/CE et à l'amendement 2013/56/UE, les batteries et les accumulateurs sont étiquetés pour indiquer qu'ils doivent être collectés séparément et recyclés au terme de leur durée de vie utile. L'étiquette de la batterie peut également comprendre un symbole chimique pour le métal concerné dans la fabrication de la batterie (Pb pour le plomb, Hg pour le mercure et Cd pour le cadmium). Les utilisateurs de batteries et d'accumulateurs ne doivent pas les jeter comme des déchets ménagers non triés, mais doivent utiliser la structure disponible pour le renvoi, le recyclage, et le traitement des batteries et des accumulateurs. La participation du client est indispensable pour réduire au minimum les effets des batteries et des accumulateurs sur l'environnement et la santé humaine en raison de la présence éventuelle de produits dangereux.

Avant de déposer les équipements électriques et électroniques (EEE) dans les installations de collecte des déchets, l'utilisateur final des équipements comprenant des batteries ou des accumulateurs doit retirer ces derniers pour une collecte séparée.

Directive relative aux déchets d'équipements électriques et électroniques (DEEE)



Tous les produits portant ce symbole deviennent des déchets d'équipements électriques et électroniques (DEEE dans la Directive européenne 2012/19/UE) qui ne doivent pas être mélangés aux déchets ménagers non triés. Vous devez contribuer à la protection de l'environnement et de la santé humaine en apportant l'équipement usagé à un point de collecte dédié au recyclage des équipements électriques et électroniques, agréé par le gouvernement ou les autorités locales. Le recyclage et la destruction appropriés permettront d'éviter tout impact potentiellement négatif sur l'environnement et la santé humaine. Contactez l'installateur ou les autorités locales pour obtenir plus d'informations concernant l'emplacement ainsi que les conditions d'utilisation de ce type de point de collecte.

Chargeur de batterie

ATTENTION

1. Le chargeur est conçu pour être utilisé à l'intérieur uniquement. Ne l'exposez pas à la pluie ou à la neige.
2. Ne pas utiliser pour des piles non rechargeables, car elles peuvent surchauffer et se casser.
3. Une mauvaise utilisation d'autres types de piles peut les faire éclater et provoquer des blessures et des dommages.
4. Ne pas incinérer, démonter ou court-circuiter les piles.
5. Si les performances des piles diminuent considérablement, il est temps de les remplacer.
6. Ranger le chargeur dans un endroit frais et sec lorsqu'il n'est pas utilisé.
7. Déconnecter l'alimentation avant d'effectuer ou de rompre les connexions avec la batterie.
8. Gaz explosifs. Éviter les flammes et les étincelles. Assurer une ventilation adéquate pendant la charge.
9. Pendant la charge, la batterie doit être placée dans un endroit bien ventilé.
10. Tenir les appareils électriques hors de portée des enfants ou des personnes infirmes. Ne les laissez pas utiliser les appareils sans surveillance.
11. Cet appareil n'est pas destiné à être utilisé par des personnes (y compris des enfants) dont les capacités physiques, sensorielles ou mentales sont réduites, ou qui manquent d'expérience et de connaissances, à moins qu'elles n'aient reçu une surveillance ou des instructions concernant l'utilisation de l'appareil de la part d'une personne responsable de leur sécurité.
12. Cet appareil peut être utilisé par des enfants âgés de 8 ans et plus et des personnes aux capacités physiques, sensorielles ou mentales réduites, ou manquant d'expérience et de connaissances, s'ils ont bénéficié d'une surveillance ou d'instructions concernant l'utilisation de l'appareil en toute sécurité et s'ils comprennent les risques encourus. Les enfants ne doivent pas jouer avec l'appareil. Le nettoyage et l'entretien ne doivent pas être effectués par des enfants sans surveillance.
13. Le câble flexible externe ou cordon de ce transformateur ne peut être remplacé ; si le cordon est endommagé, le transformateur doit être mis au rebut.
14. Si le cordon d'alimentation est endommagé, il doit être remplacé par un cordon ou un ensemble spécial disponible auprès du fabricant ou de son agent de service.

Instructions pour la charge

1. Connectez le chargeur directement à une source d'alimentation. Ne jamais utiliser de rallonge.
2. Le chargeur ne peut charger que des batteries au lithium-ion.
3. éviter de charger à l'envers.
4. Les chargeurs ne sont pas destinés à charger des batteries automobiles.

 : Unité d'alimentation amovible

Bloc de batterie

ATTENTION

1. Ne pas démonter, ouvrir ou déchiqeter les piles ou batteries secondaires.
2. Tenir les piles hors de portée des enfants L'utilisation des piles par les enfants doit être surveillée. Gardez en particulier les petites piles hors de portée des jeunes enfants.
3. Consulter immédiatement un médecin en cas d'ingestion d'une pile ou d'une batterie.
4. Ne pas exposer les piles ou les batteries à la chaleur ou au feu. Éviter le stockage en plein soleil.
5. Ne pas court-circuiter une pile ou une batterie. Ne pas ranger les piles ou les batteries au hasard dans une boîte ou un tiroir où elles risquent de se court-circuiter ou d'être court-circuitées par d'autres objets métalliques.
6. Ne pas retirer une pile ou une batterie de son emballage d'origine tant qu'elle n'est pas utilisée.
7. Ne pas soumettre les piles ou les batteries à des chocs mécaniques.
8. En cas de fuite d'une pile, ne pas laisser le liquide entrer en contact avec la peau ou les yeux. En cas de contact, laver la zone affectée avec de grandes quantités d'eau et consulter un médecin.
9. N'utilisez pas de chargeur autre que celui spécifiquement fourni pour l'équipement.
10. Respectez les marques plus (+) et moins (-) sur la cellule, la batterie et l'équipement et assurez-vous d'une utilisation correcte.
11. N'utilisez pas de piles ou de batteries qui ne sont pas conçues pour être utilisées avec l'équipement.
12. Ne pas mélanger des piles de fabrication, de capacité, de taille ou de type différents dans un même appareil.
13. Toujours acheter la batterie recommandée par le fabricant de l'appareil pour l'équipement.
14. Garder les piles et les batteries propres et sèches.
15. Essayez les bornes de la cellule ou de la batterie avec un chiffon propre et sec si elles sont sales.
16. Les piles et batteries secondaires doivent être chargées avant d'être utilisées. Utilisez toujours le chargeur approprié et référez-vous aux instructions du fabricant ou au manuel de l'équipement pour les instructions de charge appropriées.
17. Ne pas laisser une batterie en charge prolongée lorsqu'elle n'est pas utilisée.
18. Après de longues périodes de stockage, il peut être nécessaire de charger et de décharger les cellules ou les batteries plusieurs fois pour obtenir des performances maximales.
19. Conserver la documentation originale du produit pour s'y référer ultérieurement.
20. Utiliser la cellule ou la batterie uniquement dans l'application pour laquelle elle a été conçue.
21. Dans la mesure du possible, retirez la batterie de l'équipement lorsqu'il n'est pas utilisé.
22. Mettez-la au rebut de manière appropriée.

1. Sicherheitshinweise

WICHTIG! Bitte lesen Sie das Betriebsanleitung sorgfältig durch, bevor Sie das Produkt benutzen, und bewahren Sie es zum späteren Nachschlagen auf.

Ein ausführliches elektronisches Betriebsanleitung finden Sie unter www.naveetech.com

- **D**ieses Gerät ist nicht für Personen (einschließlich Kinder) mit eingeschränkten physischen, sensorischen oder geistigen Fähigkeiten oder mangelnder Erfahrung und Kenntnis bestimmt, wenn sie von einer für ihre Sicherheit zuständige Person beaufsichtigt oder erhalten von ihr Anweisungen zum Gebrauch des Geräts. **K**inder sollten beaufsichtigt werden, damit sie nicht mit dem Gerät spielen.
- **D**ieses Gerät ist für Personen über 8 Jahren und auch Personen mit eingeschränkten körperlichen, sensorischen oder geistigen Fähigkeiten oder mangelnder Erfahrung und Kenntnis bestimmt, wenn sie von einer für ihre Sicherheit zuständigen Person beaufsichtigt oder in die sichere Verwendung des Geräts eingewiesen wurden und die damit verbundenen Gefahren verstehen. Kinder dürfen nicht mit dem Gerät spielen.
- **R**einigungs- und Wartungsarbeiten dürfen von Kindern nur unter Aufsicht durchgeführt werden.
- **D**as Gerät darf nur mit dem mitgelieferten Netzgerät verwendet werden.
- **B**itte tragen Sie vor dem Fahren immer Schutzausrüstung wie einen Helm, Hand- und Handgelenkschützer, Knie- und Ellbogenschoner.
- **U**nsachgemäßes Fahren kann zu Stürzen oder schweren Unfällen führen.
- **D**er Scooter darf nur von einer Person und unter Tragen von geeigneten Schuhen gefahren werden. **D**ieses Produkt ist nur für den persönlichen Gebrauch und nicht für Akrobatik oder Stunts bestimmt.
- **D**as Produkt wird für Fahrer über 16 Jahren und unter 50 Jahren empfohlen. Nicht geeignet für das Fahren mit diesem Produkt sind unter anderem: (1) Personen, die unter Alkohol- oder Drogeneinfluss stehen; (2) Personen, die aus gesundheitlichen oder körperlichen Gründen keine anstrengenden körperlichen Aktivitäten ausüben können; (3) Personen, die ihr Gleichgewicht nicht halten können, z.B. wegen eingeschränkter motorischer Fähigkeiten; (4) Personen, deren Größe die Gewichtsgrenze überschreitet; (5) Schwangere Frauen; (6) Personen, die unter Seh- und/oder Hörbehinderungen leiden.
- **H**alten Sie beim Fahren mit diesem Produkt die örtlichen Rechtsvorschriften ein und fahren Sie nur in erlaubten Bereichen.
- Wenn Sie in Ländern und Regionen fahren, in denen es keine einschlägigen nationalen Normen und Vorschriften für Elektro-Scooter gibt, halten Sie sich bitte unbedingt an die Sicherheitsanforderungen für Fahrer in dieser Betriebsanleitung. SPACEWALKER PTE. LTD. übernimmt keine direkte Verantwortung und keine gesamtschuldnerische Haftung für alle Sach- und Personenschäden, Unfälle, Rechtsstreitigkeiten und alle anderen nachteiligen Ereignisse, die zu Interessenkonflikten führen, die durch Verhaltensweisen verursacht werden, die gegen die Benutzeranleitung verstoßen.
- Fahren Sie nicht auf Fahrspuren oder in Wohngebieten, in denen sowohl Fahrzeuge als auch Fußgänger zugelassen sind. Wenn Sie eine Stelle passieren, die für Fußgänger bestimmt ist, die das Recht auf Vorfahrt haben, wie z.B. einen Zebrastreifen, steigen Sie bitte ab und gehen Sie mit dem Scooter.
- Wählen Sie für Ihre erste Fahrt keine Orte, an denen Kinder, Fußgänger, Haustiere, Fahrzeuge, Fahrräder oder

andere Hindernisse und potenzielle Gefahren auftreten können.

- Notwendige Vorbereitungen für die Nutzung dieses Produkts, z. B. die Überprüfung der Lenkung auf korrekte Einstellung, die Überprüfung aller angeschlossenen Komponenten (z. B. des Faltsystems) auf korrekten Sitz und Umvertheilung sowie die Überprüfung der Bremsen und Räder auf einwandfreien Zustand.
- Führen Sie vor jeder Fahrt eine grundlegende Inspektion des Elektro-Scooters durch. Bei abnormalem Zuständen wie lockeren Teilen, niedrigem Akkustand, platten Reifen oder übermäßigem Reifenverschleiß, seltsamen Geräuschen, Fehlfunktionen usw. beenden Sie sofort die Fahrt und holen Sie professionelle Hilfe.
- Nehmen Sie sich die Zeit, die Grundlagen der Praxis zu erlernen, um schwere Unfälle zu vermeiden, die in den ersten Monaten auftreten können. Informationen über die Praxis und ihre sichere Anwendung (verfügbar auf der Website www.naveetech.com)
- Um sicher zu fahren, müssen Sie in der Lage sein, den Bereich vor Ihnen deutlich zu sehen, und Sie müssen für andere gut sichtbar sein.
- Fahren Sie nicht bei schlechtem Wetter, schlechter Sicht oder nach starker körperlicher Anstrengung.
- Wenn Sie bei Dunkelheit fahren, schalten Sie das Scheinwerferlicht ein und verlangsamen Sie die Geschwindigkeit.
- Stellen Sie sicher, dass der Ständer auf einer ebenen Fläche abgestellt ist und der Kick-Scooter von alleine stabil steht, bevor Sie ihn verlassen.
- Dieser Elektro-Scooter ist ein Freizeitgerät. Wenn Sie damit jedoch einen öffentlichen Bereich betreten, ist er ein Verkehrsmittel mit den möglichen Sicherheitsrisiken für alle Verkehrsmittel. Das Fahren unter strikter Einhaltung der Anweisungen in diesem Betriebsanleitung schützt Sie und andere in höchstem Maße.
- Der Benutzer sollte die Nutzungseinschränkungen gemäß den örtlichen Regelungen überprüfen. Fahren Sie den Scooter nur auf den Straßen oder in den Bereichen, die durch die örtlichen Rechtsvorschriften erlaubt sind, und parken Sie ihn in den erlaubten Bereichen. Wenn die örtlichen Regelungen andere Vorgaben haben, haben sie Vorrang. Bitte respektieren und befolgen Sie die Sicherheitsvorschriften für Straßenverkehr.
- Respektieren Sie das Recht der Fußgänger und verunsichern Sie sie, insbesondere Kinder, während der Fahrt nicht. Wenn Sie hinter Fußgängern fahren, klingeln Sie, um sie zu warnen, und fahren Sie langsamer, um sie von links zu überholen. Halten Sie sich beim Überqueren rechts mit geringer Geschwindigkeit (gilt für Länder, in denen Fahrzeuge auf rechter Seite fahren). Wenn Sie an Fußgängern vorbeifahren, fahren Sie langsam oder steigen Sie ab.
- Auf jeden Fall fahrend Sie vorausschauend unter Beachtung der jeweiligen Verkehrsregeln für Straßen und Gehwege. Machen Sie sich von Fußgängern oder Radfahrern bemerkbar, wenn Sie ihnen nähern. Überqueren Sie geschützte Passagen zu Fuß. Meiden Sie Bereiche mit hohem Verkehrsaufkommen oder überfüllte Bereiche.
- Das Fahren mit hoher oder unangemessener Geschwindigkeit (bei schlechter Witterung, schlechtem Untergrund oder ähnlichem) kann zum Verlust der Stabilität oder der Kontrolle führen. Um jegliches Risiko zu verringern, befolgen Sie alle Anweisungen in dieser Anleitung. Seien Sie bei der Montage und Demontage des Produkts vorsichtig, da es umfallen und Verletzungen verursachen kann.
- Im Stadtverkehr gibt es viele Hindernisse wie Bordsteinkanten oder Stufen zu überqueren. Vermeiden Sie möglichst Hindernissprünge. Es ist wichtig, dass Sie vor dem Überqueren dieser Hindernisse Ihre Fahrlinie und Geschwindigkeit an die eines Fußgängers anpassen und vorausschauend fahren. Es wird auch empfohlen, vom Scooter abzustiegen, wenn die Hindernisse wegen ihrer Form, Höhe oder Rutschigkeit gefährlich sind.
- Verleihen Sie Ihren Scooter nicht an Personen, die mit der Bedienung nicht vertraut sind. Bevor Sie den Elektro-Scooter verleihen, seien Sie bitte sicher, dass der Fahrer dieses Betriebsanleitung gelesen, das Anleitungsvideo gesehen und die grundlegende Bedienung verstanden hat. Weisen Sie die Fahrer darauf hin, dass sie die richtige Schutzkleidung tragen, um ihre Sicherheit zu gewährleisten.

- Erkundigen Sie sich bei Ihrem Verkäufer nach geeigneten Schulungseinrichtungen.
- Achten Sie in jedem Fall auf sich und andere.
- Jede Last am Lenker beeinträchtigt die Fahrzeugstabilität.
- Berühren Sie das Bremssystem nicht, da es wegen scharfer Kanten zu Verletzungen führen kann. Die Bremse kann bei Gebrauch heiß werden. Fassen Sie sie nach dem Gebrauch nicht an.
- Der A-gewichtete Emissionsschalldruckpegel beträgt unter 70dB(A).
- Für ein besseres Fahrgefühl wird empfohlen, das Produkt regelmäßig zu warten.
- Beseitigen Sie alle scharfen Kanten, die durch den Gebrauch entstehen.
- Zubehör und zusätzliche Gegenstände, die nicht vom Hersteller zugelassen sind, dürfen nicht verwendet werden.
- Die regelmäßige Wartung des Fahrzeugs ist ein Faktor der Sicherheit.
- Die selbstspannenden Muttern sowie die anderen selbstspannenden Verschlüsse können ihre Wirksamkeit verlieren und müssen eventuell nachgezogen werden.
- Überprüfen Sie regelmäßig den festen Sitz der verschiedenen Schraubverbindungen, insbesondere der Radachsen, des Klappsystems, der Lenkung und der Bremswelle.
- Nehmen Sie keine Veränderungen oder Umbauten am Fahrzeug vor, einschließlich des Lenkrohrs und der Hülse, des Vorbaus, des Klappmechanismus und der Hinterradbremse.
- Nehmen Sie keine Änderungen vor, die nicht in der Anleitung vermerkt sind.
- Achten Sie darauf, dass der Scooter beim Transport ausgeschaltet ist und möglichst in der Originalverpackung liegt.
- Um Verletzungen wie Stromschlag und Brand durch unsachgemäßen Gebrauch zu vermeiden, lesen Sie bitte die Anleitung vor dem Gebrauch sorgfältig durch und bewahren Sie sie zum späteren Nachschlagen auf.
- Bitte verwenden Sie dieses Produkt gemäß den Anweisungen im Benutzerhandbuch. Der Benutzer ist für alle Verluste oder Schäden durch unsachgemäßen Gebrauch dieses Produkts verantwortlich.
- Schalten Sie das Fahrzeug während des Ladevorgangs aus oder versetzen Sie es in einen nicht betriebsbereiten Modus.
- Laden Sie nicht, wenn der Ladeanschluss oder das Ladekabel nass ist. Lesen Sie diese Anleitung vor dem Aufladen sorgfältig durch.
- Laden Sie den Scooter nicht bei einer Umgebungstemperatur über 40° C oder unter 0° C auf.
- Bitte halten Sie einen Sicherheitsabstand ein, wenn der Tretroller auf einer ebenen Straße oder ohne Rampe fährt. Bei nassem Wetter verlängert sich der Bremsweg.
- Die Stoßdämpfung dieses Produkts ist nicht einstellbar (sofern zutreffend).
- Das Gerät ist nicht für den Gebrauch in Höhenlagen über 2000 m über dem Meeresspiegel vorgesehen.
- Das Gerät muss während der Wartung und beim Austausch von Teilen von der Stromquelle getrennt werden.
- Das externe flexible Kabel dieses Transformators (Ladegeräts) kann nicht ausgetauscht werden. Wenn das Kabel beschädigt ist, muss der Transformator (das Ladegerät) verschrottet werden.
- Wenn das externe flexible Kabel oder die Leitung dieses Transformators beschädigt ist, sollte es vom Hersteller, seinem Kundendienst oder einer ähnlich qualifizierten Person ersetzt werden, um Gefahren zu vermeiden.
- Wenn das Netzkabel beschädigt ist, muss es durch den Hersteller, seinen Kundendienst oder ähnlich qualifizierte

Personen ersetzt werden, um eine Gefährdung zu vermeiden.

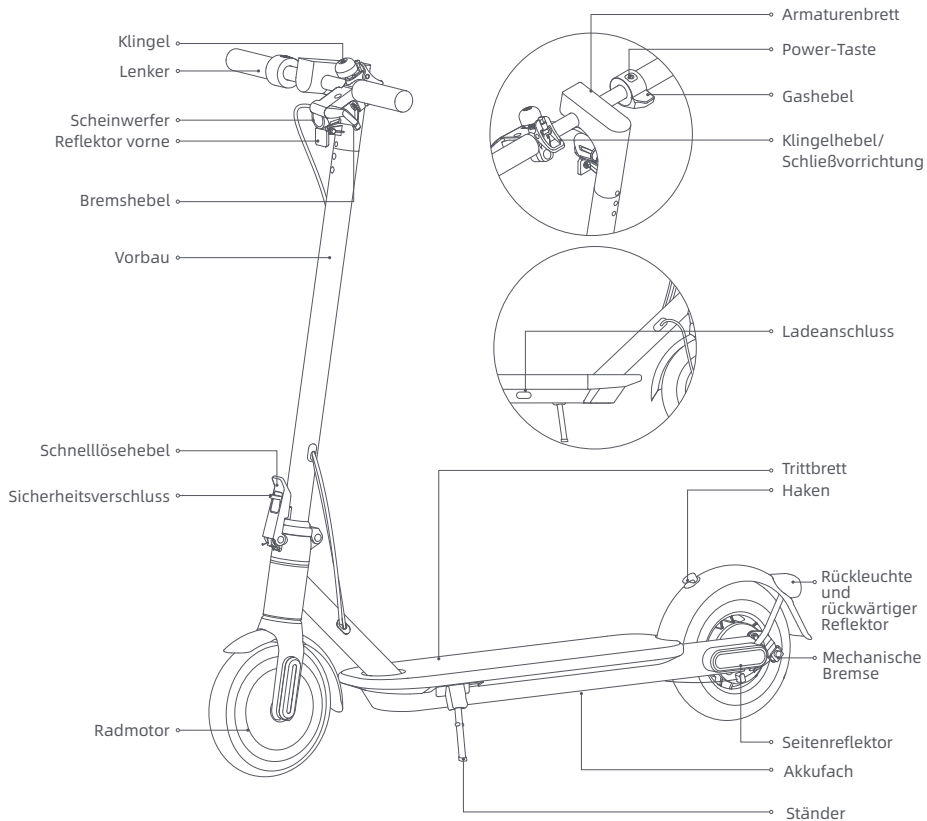
- Dieses Produkt enthält Batterien, die nur vom Fachpersonal oder Kundendienst ausgetauscht werden können.
- Dieses Gerät enthält Akkus, die nur von Fachleuten ausgetauscht werden dürfen.
- **WARNUNG! Verwenden Sie zum Aufladen des Akkus nur das mitgelieferte abnehmbare Netzteil. Verwenden Sie kein Ladegerät eines anderen Produkts. Halten Sie beim Aufladen einen Sicherheitsabstand zu den umliegenden Brennstoffen ein, das Fahrzeug muss in einem gut belüfteten Bereich aufgestellt werden.**
- **WARNUNG! Verwenden Sie keine Akkus oder Akkuladegeräte von Drittanbietern. Verwenden Sie nur das Netzteil FY0422521500E.**
- **WARNUNG! Halten Sie die Kunststoffabdeckung von Kindern fern, um Erstickungsgefahr zu vermeiden.**
- **WARNUNG! Verwenden Sie das Produkt niemals in der Nähe einer Wasserquelle.**
- **WARNUNG! Sie dürfen das Produkt nicht wenden, wenn es beschädigt ist.**
- **WARNUNG! Wie jedes mechanische Bauteil ist auch ein Fahrgerät hohen Belastungen und starkem Verschleiß unterworfen. Die verschiedenen Materialien und Komponenten können unterschiedlich auf Verschleiß oder Ermüdung reagieren. Wenn die zu erwartende Lebensdauer eines Bauteils überschritten ist, kann es plötzlich brechen, wodurch die Verletzungsgefahr für den Benutzer besteht. Risse, Kratzer und Verfärbungen in den stark beanspruchten Bereichen deuten darauf hin, dass das Bauteil seine Lebensdauer überschritten hat, und Sie sollten sich an eine autorisierte oder spezialisierte Werkstatt wenden.**

Achten Sie bei der Verwendung auf Quetsch- und Einklemmgefahren an den folgenden Stellen:

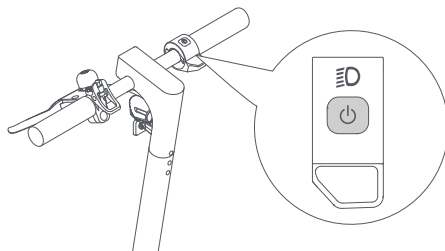
1. Zwischen dem Lenker und dem Vorbau, wenn der Lenker installiert wird.
2. Öffnungen an den Rädern.
3. Zwischen dem vorderen Radspritzschutzblech und dem Trittbrett.
4. Zwischen dem Schnellspannerhebel und dem Schnellspannverriegelungshebel und zwischen der Klappverbindung und dem Vorbau, wenn Sie das Fahrrad zusammenklappen oder aufklappen.
5. Zwischen den Radspritzschutzblechen und den Rädern.

2. Produktübersicht

Elektroroller

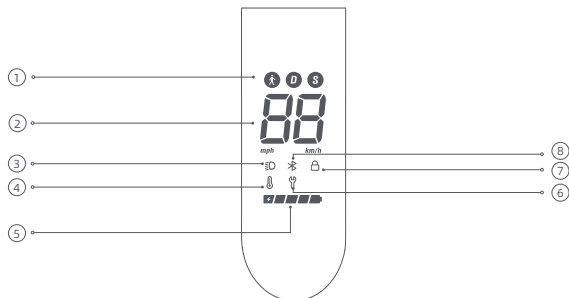


Ein-/Ausschalten





Drücken Sie die Taste , um den Tretroller einzuschalten, und halten Sie die Taste  2 bis 3 Sekunden lang gedrückt, um den Roller auszuschalten. Wenn der Tretroller eingeschaltet ist, drücken Sie zweimal, um den Fahrmodus zu ändern.

Armaturenbrett



- ① Fahrmodi:  steht für Gehmodus mit einer Höchstgeschwindigkeit von 6km/h. Das Rücklicht blinkt bei diesem Modus rot. D steht für Standardmodus. S steht für Sportmodus.
- ② Geschwindigkeitsmesser: Zeigt die aktuelle Geschwindigkeit an, wenn der Scooter in Betrieb ist. Bei Problemen zeigt er einen Fehlercode an. Beim Aufladen zeigt er den aktuellen Akkustand an.

- ③ Licht: Das Aufleuchten von  bedeutet, dass der Scheinwerfer und das Rücklicht eingeschaltet sind, und das Erlöschen von  bedeutet, dass der Scheinwerfer und das Rücklicht ausgeschaltet sind. Schalten Sie den Roller ein und drücken Sie die Ein-/Aus-Taste, um den Scheinwerfer und das Rücklicht ein- oder auszuschalten.
- ④ Temperaturwarnung: Wenn die Akku-Temperatur zu hoch oder zu niedrig ist, leuchtet das Thermometer-Symbol auf. Erst wenn die Akku-Temperatur im normalen Betriebsbereich liegt, benutzen oder laden Sie den Scooter.
- ⑤ Akkustand: Der Akkustand wird durch 5 Balken angezeigt, die jeweils etwa 20% eines vollen Akkus entsprechen.
- ⑥ Fehlermeldung: Wenn das Schraubenschlüssel-Symbol rot leuchtet, dann hat der Scooter einen Fehler.
- ⑦ Verriegelung: Wenn das Symbol aufleuchtet, bedeutet dies, dass der Roller gesperrt ist. Sie können den Roller über die NAVEE- App verriegeln/entriegeln.
- ⑧ Bluetooth: Das Bluetooth-Symbol ist immer eingeschaltet und zeigt an, dass der Scooter erfolgreich mit dem Mobilgerät verbunden wurde.

3. Pflege und Wartung

Reinigen

Bevor Sie den Scooter reinigen, müssen Sie den Strom ausschalten, das Ladekabel ausstecken und den Ladedeckel fest verschließen.

Wischen Sie das Hauptchassis mit einem weichen, feuchten Tuch ab, schwer zu entfernenden Schmutz können Sie mit einer Zahnbürste abbürsten Wischen Sie anschließend alle Bereiche mit einem trockenen Tuch ab.

WARNUNG!

- Waschen Sie den Scooter nicht mit einem Hochdruckreiniger.
- Reinigen Sie den Scooter nicht mit ätzenden Reinigungsmitteln, die die äußere und innere Struktur des Scooters beschädigen.

Akku

Laden Sie immer auf, bevor der Akku ganz leer wird, um die Lebensdauer des Akkus zu verlängern.

Überschreiten Sie beim Fahren, Lagern oder Laden nicht die angegebene Temperaturgrenze (siehe Technische Daten). Die Nichtbeachtung der Benutzungs-, Lager- oder Ladeanweisungen kann zur Beschädigung des Akkus, zum Ausfall der Ladung und zum Erlöschen der Garantie führen.

Der voll aufgeladene Scooter hat eine ungefähre Standby-Zeit von 120-180 Tagen. Wenn er längere Zeit nicht benutzt wird, sollte er alle 60 Tage aufgeladen werden. Bitte achten Sie auf die Standby-Zeit, um irreversible Schäden am Akku durch Nichtaufladen zu vermeiden.

WARNUNG!

- Verwenden Sie keine Akkus anderer Modelle oder Marken, da sie ein Sicherheitsrisiko darstellen kann.
- Verwenden Sie nur das originale Akkuladegerät, um mögliche Schäden oder Brände zu vermeiden.
- Wenn der Akku beschädigt oder mit Wasser getränkt ist, darf er nicht geladen oder weiter verwendet werden.
- Nehmen Sie den Akku nicht heraus. Das Ausbauen des Akkus ist kompliziert und eine unsachgemäße Handhabung kann den Betrieb des Scooters beeinträchtigen.

Lagerung

Wenn der Scooter über einen längeren Zeitraum nicht benutzt wird, laden Sie ihn vollständig auf, schalten Sie ihn dann aus und lagern Sie ihn an einem kühlen, trockenen Ort. Laden Sie den Scooter mindestens alle 2 Monate auf, um Akkuschäden zu vermeiden. Stellen Sie sicher, dass der Scooter beim Transport ausgeschaltet ist und möglichst in seiner Originalverpackung liegt.

WARNUNG!

- Bitte lassen Sie den Scooter nicht für längere Zeit in der heißen Sonne oder an einem sehr feuchten Ort stehen.
- Bitte stellen Sie den Scooter nicht in der Nähe von brennbaren Stoffen ab.
- Dieses Produkt enthält eine eingebaute Lithiumbatterie und darf nur dann transportiert werden, wenn es die örtlichen Gesetze und Vorschriften erlauben.

Hinweise zum Umweltschutz

Der Scooter enthält ein wiederaufladbares Lithium-Ionen-Akkupack, dessen unsachgemäße Entsorgung die Umwelt belastet. Folgen Sie den nachstehenden Schritten, um die Akkus zu entnehmen, bevor Sie den Scooter entsorgen, und entsorgen Sie die Akkus umweltgerecht:

1. Bevor Sie die Batterie entfernen, schalten Sie den Strom ab und entladen Sie sie vollständig. Dann reißen Sie die Fußplatte ab und lösen Sie die Befestigungsschrauben zwischen Pedal und Rahmen, um das Fußpedal zu öffnen.
2. Ziehen Sie den Akkustecker ab und nehmen Sie die Akkus heraus. Achten Sie darauf, dass das Akkugehäuse nicht beschädigt wird, um Verletzungsgefahr zu vermeiden. Die Batterie nicht mehr verwenden, wenn sie beschädigt ist, seltsamen Geruch abgibt, Rauch ausstößt oder überhitzt wurde. Halten Sie eine auslaufende Batterie von anderen Gegenständen fern.
3. Entsorgen Sie die entnommenen Akkus in einer fachgerechten Recyclinganlage.

Scooter-Wartungsplan (empfohlen):

Regelmäßige Wartung des Rollers trägt dazu bei, ihn in einem sauberen und guten Zustand zu halten, Sicherheitsrisiken zu vermeiden, Pannen zu minimieren, den Verschleiß des Rollers zu verlangsamen und die Nutzungsdauer des Rollers zu verlängern.

Punkt	Serviceobjekt	Aktionen	Jeden Monat	Alle 3 Monate	Alle 500km / 6 Monate	Alle 1000km / 1 Jahr	Alle 10.000km / 3 Jahre
Reifen	Abnutzung des Reifenprofils	Den Reifen auf Risse, Verformung, Abnutzung usw. prüfen.			√	√	√
Schrauben	Schrauben am Lenker	Die Schraube, die den Lenker mit dem Vorbau verbindet, festziehen (mit dem empfohlenen Anzugsmoment von $3,0 \pm 0,5$ N·m).		√	√	√	√
		Die Gaspedalschraube anziehen (mit dem empfohlenen Drehmoment von $1,6 \pm 0,1$ N·m).					
		Die Schraube des Bremshebels festziehen (mit dem empfohlenen Drehmoment von $5,5 \pm 0,5$ N·m).				√	√

Punkt	Serviceobjekt	Aktionen	Jeden Monat	Alle 3 Monate	Alle 500km / 6 Monate	Alle 1000km / 1 Jahr	Alle 10.000km / 3 Jahre
Funktionen	Einstellung der Bremse	<p>Bevor Sie Einstellungen vornehmen, stellen Sie sicher, dass der Roller ausgeschaltet ist und nicht geladen wird.</p> <p>Werkzeug: 5 mm-Inbusschlüssel (muss vom Benutzer bereitgestellt werden).</p> <p>Wenn die Bremse zu fest angezogen ist, drehen Sie mit dem Werkzeug die Mutter am Gewindestift gegen den Uhrzeigersinn, um den freiliegenden unteren Teil des Bremskabels leicht zu verkürzen.</p> <p>Wenn die Bremse zu locker ist, drehen Sie mit dem Werkzeug die Mutter am Gewindestift im Uhrzeigersinn, um den freiliegenden unteren Teil des Bremskabels leicht zu verlängern.</p>			✓	✓	✓
	Aufladung	<p>Den Roller bei einer geeigneten Temperatur aufladen.</p> <p>Die Anzeige am Batterieladegerät leuchtet rot, wenn der Roller geladen wird, und wird grün, wenn der Roller vollständig aufgeladen ist.</p> <p>Das Bedienfeld zeigt den Ladestatus während des Ladevorgangs zugleich an.</p>			✓	✓	✓
	Lenkung	<p>Den Lenker um 60° nach links und rechts drehen, um sicherzustellen, dass der Lenkwinkel richtig ist und die Lenkung frei von Widerstand und Blockade ist.</p>				✓	✓
Wichtige Komponenten	Batterieeinheit	<p>Den Roller vollständig aufladen, bevor er für längere Zeit unbenutzt wird, und ihn alle 60 Tage zum Aufladen einschalten.</p>					✓

Wenn Räder, Bremsbeläge und andere empfindliche Teile abgenutzt oder beschädigt sind und ersetzt werden müssen, wenden Sie sich bitte rechtzeitig an den Kundendienst.

Um eine qualifizierte Servicestelle zu finden, kontaktieren Sie uns bitte über service@navee.tech/www.naveetech.com

4. Spezifikationen

Produkt	Bezeichnung	NAVEE Electric Scooter		
	Modell	EasyRide 20-E	EasyRide 20-D	EasyRide 20-S
Abmessungen	Fahrzeug: L x B x H (mm) ^[1]	1093 x 466 x 1098		
	Zusammengeklappt: L x B x H (mm)	1091 x 463 x 435		
Nettogewicht	Nettogewicht des Fahrzeugs (kg)	14,0		
Fahrer	Last (kg)	25-90		
	Alter (Jahre)	16-50		
	Körpergröße (cm)	120 - 200		
Montierter Elektroroller	Höchstgeschwindigkeit (km/h)	25	20	20
	Allgemeine Reichweite (km) ^[2]	ca. 20		
	Max. Steigwinkel (%)	ca. 14		
	Geeignete Oberflächen	Beton- oder Asphaltstraßen mit Schwellen unter 1 cm bzw. Spalten unter 3 cm.		
	Betriebstemperatur (°C)	-10 bis 40		
	Lagertemperatur (°C)	-20 bis 45		
	Schutzgrad	IPX5		
Akkupack	Ladedauer (h)	ca. 6		
	Modell	T2417-B63A		
	Nennspannung (VDC)	21,6		
	Max. Eingangsspannung (VDC)	25,2		
	Energieverbrauch (Wh)	165,24		
	Intelligentes Akkuverwaltungssystem	Schutz vor Überhitzung, Kurzschluss, Überstrom, Überentladung und Überladung		
	Normaler Temperaturbereich während des Ladens (°C)	0 bis 40		
Radmotor	Nennleistung (Ah)	7,65		
	Nennleistung (kW; W)	0,3; 300	0,3; 300	0,25; 250
	Modell ^[3]	FY0422521500E		
Akkuladegerät	Ausgangsleistung (kW; W)	0,0378; 37,8		
	Eingang	100-240 V~ 50/60 Hz		
	Nennausgangsspannung/-strom (VDC; A)	25,2; 1,5		
Reifen	Vorder- und Hinterradreifen	Wartungsfreie innere Hohlreifen		
Bluetooth	Frequenzbereich(e)	2,4000-2,4835 GHz		
	Max. Funkleistung (dBm)	8		

[1] Fahrzeughöhe: vom Boden zum höchsten Punkt des Rollers.

[2] Allgemeine Reichweite: gemessen bei Windstille und 25 °C, voll geladenem Roller und einer gleichmäßigen Fahrgeschwindigkeit von 15 km/h auf ebener Oberfläche und mit einer Last von 75 kg.

[3] Zum Laden des Akkus verwenden Sie nur das in dieser Verpackung mitgelieferte Ladegerät. Die Parameter des Akkuladegeräts entnehmen Sie bitte den Spezifikationen.

5. Zertifikationen

RoHS-Richtlinie

Dieses Produkt von SPACEWALKER PTE. LTD. erfüllt mit den mitgelieferten Teilen (Kabel, Schnüre usw.) die Beschränkung der Verwendung bestimmter gefährlicher Stoffe in Elektro- und Elektronikgeräten gemäß Anhang II der Richtlinie 2011/65/EU und deren Änderungsrichtlinie (EU) 2015/863.

EU-Konformitätserklärung



Dieses Gerät erfüllt die EU-Anforderungen zur Begrenzung der Exposition der Bevölkerung gegenüber elektromagnetischen Feldern.

Hiermit bestätigt SPACEWALKER PTE. LTD. dass das Funkgerät des Typs [EasyRide 20-E], [EasyRide 20-D] und [EasyRide 20-S] mit der Verordnung 2014/53/EU und 2006/42/EG in Einklang steht. Der vollständige Wortlaut der EU-Konformitätserklärung ist unter der folgenden Internetadresse abrufbar: www.naveetech.com

Entsorgung von elektrischen und elektronischen Geräten



Batterien und ihre Verpackungen sind gemäß der EU-Richtlinie 2006/66/EG sowie deren Änderung durch Richtlinie 2013/56/EU über Batterien und Akkumulatoren sowie Altbatterien und Altakkumulatoren gekennzeichnet. Die Richtlinie bestimmt das in der gesamten EU gültige System für die Rückgabe und das Recycling von gebrauchten Batterien und Akkumulatoren. Dieses Kennzeichen findet sich auf verschiedenen Batterien und gibt an, dass die Batterie nicht entsorgt, sondern gemäß dieser Richtlinie wiederverwertet werden muss.

Batterien und Akkumulatoren sind gemäß EU-Richtlinie 2006/66/EG sowie deren Änderung durch Richtlinie 2013/56/ EU mit einer Kennzeichnung versehen, die angibt, dass sie nach Ablauf ihrer Nutzungsdauer getrennt zu sammeln und der Wiederverwertung zuzuführen sind. Das Kennzeichen auf der Batterie kann auch ein chemisches Zeichen für das in der Batterie enthaltene Metall (Pb für Blei, Hg für Quecksilber und Cd für Cadmium) aufweisen. Die Nutzer von Batterien und Akkumulatoren müssen diese gemäß dem verfügbaren Sammelsystem für Rückgabe, Recycling und Wiederaufbereitung von Batterien und Akkumulatoren getrennt entsorgen. Die Mitwirkung der Kunden spielt für die Eindringung der möglichen Auswirkungen von Batterien und Akkumulatoren auf Umwelt und Gesundheit durch die potenziell enthaltenen gefährlichen Substanzen eine wesentliche Rolle. Bevor Elektro- und Elektronikgeräte (EEE) in den Entsorgungskreislauf oder in Abfallsammelanlagen gelangen, muss der Endverbraucher von Geräten, die Batterien und/oder Akkumulatoren enthalten, diese Batterien und Akkumulatoren zur getrennten Sammlung entfernen.

Richtlinie über Elektro- und Elektronik-Altgeräte (WEEE)



Das Symbol auf dem Produkt oder der Verpackung bedeutet, dass das Produkt einer getrennten Erfassung für elektrische und elektronische Geräte zugeführt werden muss und nicht über den normalen Haushaltsabfall entsorgt werden darf. Bitte entnehmen Sie Batterien und Lampen, die nicht vom Gerät umschlossen sind, vor der Abgabe aus dem Gerät und entsorgen diese über die offiziellen Sammelstellen für Batterien und Lampen.

Beim Kauf eines neuen Elektrogerätes können Sie beim Vertreiber ein gleichartiges Altgerät unentgeltlich zurückgeben. Elektrogeräte mit einer Kantenlänge von maximal 25 cm können unentgeltlich bei Verkäufern von Elektro- und Elektronikgeräten mit einer Verkaufsfläche von mindestens 400 m² sowie größeren Supermärkten abgegeben werden, ohne dass ein Neugerät erworben werden muss. Größere Elektrogeräte können kostenlos bei kommunalen Wertstoffhöfen abgegeben werden.

Durch die korrekte Entsorgung tragen Sie dazu bei, negative Auswirkungen auf die Umwelt und die menschliche Gesundheit zu vermeiden, die durch unsachgemäße Erfassung und Behandlung von Elektroaltgeräten entstehen können.

Bitte löschen Sie sämtliche personenbezogenen Daten auf dem Gerät, bevor Sie es entsorgen. Für weitere Informationen kontaktieren sie bitte Ihre Kommunalverwaltung, Ihren örtlichen Abfallentsorger oder das Geschäft, in dem Sie das Produkt erworben haben.

Sicherheitswarnung



Wichtig!
Vor der Benutzung das
Benutzerhandbuch lesen.



WARNUNG!
Sorgfältig durchlesen und zum
Nachschlagen aufbewahren.



Warnung!
Heiße Oberfläche.



Nicht der Feuchtigkeit aussetzen



Scheinwerfer



SMPS mit kurzschlussfestem
Sicherheitstrenntransformator
(inhärent oder nicht inhärent)



SMPS (Schaltnetzteil)



Feinsicherungseinsatz mit
Zeitverzögerung, wobei X das Symbol
für die Zeit/Stromcharakteristik gemäß
IEC 60127 ist



WARNUNG!
Nur zum Gebrauch in Innenräumen
(das Ladegerät).



ACHTUNG
Gerät der Schutzklasse II



Warnung!
Scharfe Kanten.



≤5000m

Das Ladegerät ist für die Verwendung in
Höhenlagen bis zu 5000 m bestimmt.



Blinker



Gleichstrom



Wechselstrom



Polarität des Ladegerätausgangs,
Mitte positiv

Akkuladegerät

WARNUNG

1. Das Ladegerät ist nur für den Gebrauch in Innenräumen vorgesehen. Setzen Sie es nicht Regen oder Schnee aus.
2. Verwenden Sie es nicht für nicht wiederaufladbare Akkus, da diese überhitzen und kaputt gehen können.
3. Andere Akkutypen können bei unsachgemäßer Verwendung platzen und Verletzungen und Schäden verursachen.
4. Akkus dürfen nicht verbrannt, zerlegt oder kurzgeschlossen werden.
5. Wenn die Leistung des Akkus erheblich nachlässt, ist Zeit, die Akku zu ersetzen.
6. Bewahren Sie das Ladegerät an einem kühlen und trockenen Ort auf, wenn Sie es nicht verwenden.
7. Trennen Sie die Stromversorgung, bevor Sie die Verbindungen zum Akku herstellen oder trennen.
8. Explosive Gase. Vermeiden Sie Flammen und Funken. Sorgen Sie während des Ladevorgangs für ausreichende Belüftung.
9. Während des Ladevorgangs muss der Akku an einem gut belüfteten Ort platziert werden.
10. Bewahren Sie Elektrogeräte außerhalb der Reichweite von Kindern oder gebrechlichen Personen auf. Lassen Sie sie die Geräte nicht ohne Aufsicht benutzen.
11. Dieses Gerät ist nicht für die Verwendung durch Personen (einschließlich Kinder) mit eingeschränkten körperlichen, sensorischen oder geistigen Fähigkeiten oder mangelnder Erfahrung und Kenntnis bestimmt. Solange sie von einer für ihre Sicherheit verantwortlichen Person beaufsichtigt werden oder Anweisungen zur Verwendung des Geräts erhalten.
12. Dieses Gerät kann von Kindern ab 8 Jahren und darüber sowie von Personen mit eingeschränkten körperlichen, sensorischen oder geistigen Fähigkeiten oder mangelnder Erfahrung und Kenntnis verwendet werden, wenn sie beaufsichtigt oder in die sichere Verwendung des Geräts eingewiesen werden und die damit verbundenen Gefahren verstehen. Kinder dürfen nicht mit dem Gerät spielen. Reinigung und Benutzerwartung dürfen nicht von Kindern ohne Aufsicht durchgeführt werden.
13. Das externe flexible Kabel oder Kabel dieses Transformators kann nicht ersetzt werden. Wenn das Kabel beschädigt ist, muss der Transformator verschrottet werden.
14. Wenn das Netzkabel beschädigt ist, muss es durch ein spezielles Kabel oder eine spezielle Baugruppe ersetzt werden, die beim Hersteller oder seinem Kundendienst erhältlich sind.

Anweisungen zum Aufladen

1. Schließen Sie das Ladegerät direkt an eine Stromquelle an. Verwenden Sie keine Verlängerungskabel.
2. Das Ladegerät kann nur Lithium-Ionen-Akkus aufladen.
3. Vermeiden Sie eine umgekehrte Aufladung.
4. Die Ladegeräte sind nicht zum Laden von Auto-Akkus geeignet.

 abnehmbares Netzteil

Akkupack

WARNUNG

1. Sekundärzellen oder Akkus nicht zerlegen, öffnen oder zerkleinern.
2. Bewahren Sie Akkus außerhalb der Reichweite von Kindern auf. Die Verwendung von Akkus durch Kinder sollte beaufsichtigt werden. Bewahren Sie insbesondere kleine Akkus außerhalb der Reichweite von Kleinkindern auf.
3. Suchen Sie sofort einen Arzt auf, wenn eine Knopfzelle oder Akku verschluckt wurde.
4. Setzen Sie die Zellen oder Batterien nicht der Hitze oder dem Feuer aus. Vermeiden Sie die Lagerung in direktem Sonnenlicht.
5. Schließen Sie eine Knopfzelle oder einen Akku nicht kurz. Lagern Sie Knopfzellen oder Akkus nicht willkürlich in einer Kiste oder Schublade, wo sie sich gegenseitig kurzschließen oder durch andere Metallgegenstände kurzgeschlossen werden könnten.
6. Nehmen Sie eine Knopfzelle oder einen Akku erst dann aus der Originalverpackung, wenn Sie sie verwenden möchten.
7. Setzen Sie Zellen oder Akkus keinen mechanischen Erschütterungen aus.
8. Falls eine Knopfzelle ausläuft, darf die Flüssigkeit nicht mit der Haut oder den Augen in Berührung kommen, sondern muss mit reichlich Wasser abgewaschen und ein Arzt aufgesucht werden.
9. Verwenden Sie keine anderen Ladegeräte als die, die speziell für das Gerät vorgesehen sind.
10. Beachten Sie die Plus- (+) und Minus-Markierungen (-) an der Zelle, der Batterie und dem Gerät und achten Sie darauf, dass sie ordnungsgemäß verwendet werden.
11. Verwenden Sie keine Knopfzellen oder Akkus, die nicht für die Verwendung mit dem Gerät vorgesehen sind.
12. Mischen Sie keine Knopfzellen unterschiedlicher Herstellung, Kapazität, Größe oder Typs in einem Gerät.
13. Kaufen Sie immer den vom Gerätehersteller für das Gerät empfohlenen Akku.
14. Halten Sie Knopfzellen und Akkus sauber und trocken.
15. Wischen Sie die Knopfzellen- oder Akkupole mit einem sauberen, trockenen Tuch ab, wenn sie verschmutzt sind.
16. Sekundärzellen und Akkus müssen vor der Verwendung aufgeladen werden. Verwenden Sie immer das richtige Ladegerät und lesen Sie die Anweisungen zum korrekten Laden in den Anweisungen des Herstellers oder im Betriebsanleitung nach.
17. Lassen Sie einen Akku nicht über einen längeren Zeitraum aufgeladen, wenn er nicht verwendet wird.
18. Nach längerer Lagerung kann es erforderlich sein, die Knopfzellen oder Akkus mehrmals zu laden und zu entladen, um die maximale Leistung zu erzielen.
19. Bewahren Sie die Original-Produktliteratur zum späteren Nachschlagen auf.
20. Benutzen Sie die Knopfzelle oder Akku nur für den vorgesehenen Verwendungszweck.
21. Wenn möglich, nehmen Sie den Akku aus dem Gerät, wenn es nicht verwendet wird.
22. Entsorgen Sie den Akku ordnungsgemäß.

1. Instruções de Segurança

Instruções originais

IMPORTANTE! Por favor, leia atentamente antes de utilizar o produto e guarde-o para referência futura. Para obter informações detalhadas sobre o manual electrónico, visite www.naveetech.com

- **E**ste aparelho não se destina a ser utilizado por pessoas (incluindo crianças) com capacidades físicas, sensoriais ou mentais reduzidas, ou com falta de experiência e conhecimento, a não ser que lhes tenha sido dada supervisão ou instruções relativas à utilização do aparelho por uma pessoa responsável pela sua segurança.

As crianças devem ser vigiadas para garantir que não brincam com o aparelho.

- **E**ste aparelho destina-se a condutores com mais de 8 anos de idade e pessoas físicas e com menos física, capacidades sensoriais ou mentais ou falta de experiência e conhecimento, caso tenham sido supervisionadas ou lhes tenham sido dadas instruções relativas à utilização segura do aparelho e compreendam os perigos envolvidos. **C**rianças não devem brincar com o aparelho. **A** limpeza e a manutenção do utilizador não devem ser efectuadas por crianças sem supervisão.

- **O** aparelho deve ser utilizado apenas com a fonte de alimentação fornecida com o aparelho.
- **A**ntes de conduzir, utilize capacetes, protetores de mão/punho, joelheiras, cotoveleiras e outros equipamentos de proteção o tempo todo.
- **A** trotineta deve ser utilizada apenas por uma pessoa. É obrigatório utilizar sempre calçados. Não desvie o uso do veículo. Este produto destina-se apenas a utilização pessoal e não se destina a utilização acrobática.
- **O** produto é recomendado para condutores com idade superior a 16 anos e idade inferior a 50 anos. Pessoas que não são adequadas para conduzir este produto incluem: (1) pessoas sob a influência de álcool ou drogas, (2) pessoas incapazes de exercer actividades físicas extenuantes devido a condições sanitárias ou físicas, (3) pessoas incapazes de manter o seu equilíbrio ou que não possam manter o seu equilíbrio devido a competências motoras prejudicadas, (4) pessoas cuja dimensão exceda o limite de peso, (5) mulheres grávidas, (6) pessoas que sofrem de deficiências visuais e/ou auditivas.
- **R**espeite as leis e os regulamentos locais ao conduzir este produto. **N**ão conduza quando proibido pelas leis locais.
- Ao conduzir em países e regiões onde não existam normas e regulamentos nacionais relevantes para trotinetas eléctricas, certifique-se de que respeita rigorosamente os requisitos de segurança para os condutores neste manual de utilização. A SPACEWALKER PTE. LTD. não assumirá qualquer responsabilidade directa e conjunta e responsabilidade por todos os bens, perdas pessoais, acidentes, disputas legais, e todos os outros eventos adversos que causem conflitos de interesse causados pelo uso de comportamentos em violação das instruções de uso.
- Não conduza em vias de circulação ou áreas residenciais onde sejam permitidos veículos e peões. Ao passar por um lugar designado para peões que têm direito às leis do direito de passagem, como a faixa de pedestres, por favor, saia para caminhar junto com a trotineta.

- Não escolha locais onde crianças, peões, animais de estimação, veículos, bicicletas ou outros obstáculos e potenciais perigos possam surgir durante a primeira viagem.
- Os preparativos necessários para a utilização deste produto incluem: assegurar que o sistema de direção está corretamente ajustado, que todos os acessórios conectados (como o sistema de dobragem) estão corretamente apertados e não estão danificados, e que os travões e as rodas estão em boas condições.
- Efectue uma inspeção básica da trotineta eléctrica antes de cada viagem. Se existirem condições anormais, tais como peças soltas, alertas de bateria fraca, pneus vazios ou desgaste excessivo dos pneus, sons estranhos, avarias e outras condições anormais, pare imediatamente a condução e peça apoio profissional.
- Os preparativos necessários para a utilização deste produto incluem: assegurar que o sistema de direção está corretamente ajustado, que todos os acessórios conectados (como o sistema de dobragem) estão corretamente apertados e não estão danificados, e que os travões e as rodas estão em boas condições.
- Para conduzir em segurança, deve ser capaz de ver claramente o que está à sua frente e deve estar claramente visível para os outros.
- Não conduza em condições meteorológicas adversas, visibilidade reduzida ou após um esforço físico intenso.
- Ligue o farol e diminua a velocidade quando estiver a circular no escuro.
- Certifique-se de que o suporte esteja posicionado em uma superfície plana e que o suporte para os pés do patinete esteja estável o suficiente para ficar em pé sozinho antes de deixá-lo.
- Esta trotineta eléctrica é um dispositivo de lazer. No entanto, ao entrar numa área pública, será considerado um meio de transporte e sujeito a possíveis riscos de segurança para todos os meios de transporte. Conduzir em estrita conformidade com as instruções deste manual irá protegê-lo, tanto quanto possível, a si e a outras pessoas.
- O utilizador deve verificar os limites de utilização de acordo com os regulamentos locais. a trotineta em estradas ou áreas permitidas pelos regulamentos e leis locais e estacione-a em áreas permitidas. Se os regulamentos e leis locais tiverem disposições diferentes sobre a velocidade máxima, prevalecerão os regulamentos e leis locais. Respeite e siga as regras de segurança rodoviária e do veículo.
- Respeite o direito dos peões. Tente não os assustar durante a condução, especialmente crianças. Ao conduzir atrás de peões, toque na campainha para que se vire à frente e abra a trotineta para passar da esquerda e mantenha-a à direita a uma velocidade baixa enquanto conduz através deles (aplicável a países onde os veículos circulam à direita). Quando conduzir entre peões, mantenha a velocidade mais baixa ou saia do veículo.
- Em qualquer caso, antecipe a sua trajetória e a sua velocidade respeitando o código da estrada, o código da calçada e os mais vulneráveis. Notifique a sua presença ao aproximar-se de um peão ou ciclista quando não for visto ou ouvido. Atravesse as passagens protegidas enquanto caminha. Atravesse as passagens protegidas enquanto caminha. Evite zonas de tráfego intenso ou áreas superlotadas.
- Conduzir a alta velocidade ou a uma velocidade que não seja adequada ou apropriada para a situação (más condições climáticas, más condições de superfície ou semelhantes) pode provocar uma potencial perda de estabilidade ou perda de controlo. Para reduzir qualquer risco, deve seguir todas as instruções deste manual. Tenha cuidado ao montar e desmontar o produto, este pode cair e causar ferimentos.
- O trânsito na cidade tem muitos obstáculos para atravessar, como passeios ou degraus. Recomenda-se evitar saltos de obstáculos. É importante antecipar e adaptar a sua trajetória e velocidade às de um peão antes de atravessar estes obstáculos. Recomenda-se também que saia do veículo quando estes obstáculos se tornarem perigosos devido à sua forma, altura ou patinagem.
- Não emprestam a sua trotineta a quem não conhece as operações. Antes de emprestar a trotineta eléctrica

a outras pessoas, certifique-se de que o condutor leu este manual de instruções e viu o vídeo de instruções e compreendeu o funcionamento básico. Lembre os condutores de que devem usar correctamente a protecção de segurança para garantir a segurança dos condutores.

- Contacte o seu vendedor para obter as organizações de formação adequadas.
- Em todos os casos, tome conta de si e dos outros.
- Qualquer carga presa ao guiador afeta a estabilidade do veículo.
- Não toque no sistema de travagem, pois pode causar ferimentos devido a arestas afiadas. O travão pode ficar quente durante a utilização. Não toque depois da utilização.
- O nível de pressão sonora ponderado A é inferior a 70 dB(A).
- Para uma melhor experiência de condução, recomenda-se a realização de uma manutenção regular do produto.
- Elimine quaisquer arestas afiadas causadas pela utilização.
- Os acessórios e quaisquer itens adicionais não aprovados pelo fabricante não devem ser utilizados.
- A manutenção regular do veículo é um fator de segurança.
- As porcas de auto-aperto, bem como as outras fixações de auto-aperto, podem perder sua eficiência e podem precisar ser reapertadas.
- Verifique regularmente o aperto dos vários elementos aparafusados, em especial os eixos das rodas, o sistema de dobramento, o sistema de direcção e o veio do travão.
- Não modifique nem transforme o veículo, incluindo o tubo da direcção e a manga, a haste, o mecanismo de dobramento e o travão traseiro.
- Não efetue nenhuma modificação que não esteja indicada nas instruções.
- Certifique-se de que a trotineta está desligada quando for transportada e mantida na embalagem original, se possível.
- Para evitar ferimentos acidentais, tais como choques eléctricos e incêndios causados por uma utilização inadequada, leia atentamente as instruções antes da utilização e guarde-as correctamente para referência futura.
- Utilize este produto de acordo com as instruções no Manual do Utilizador. Os utilizadores são responsáveis por quaisquer perdas ou danos resultantes da utilização inadequada deste produto.
- Durante o carregamento, desligue o veículo ou coloque-o em modo não operacional.
- Não carregue se a porta de carregamento ou o cabo de carregamento estiverem molhados. Leia atentamente este manual antes de carregar.
- Não carregue a trotineta a uma temperatura ambiente superior a 40 °C ou inferior a 0 °C
- Mantenha uma distância de segurança quando a trotinete estiver a circular numa estrada plana/sem declive. A distância de travagem aumenta em tempo de chuva.
- A absorção de choques deste produto não é regulável (se aplicável).
- O aparelho não se destina a ser utilizado em altitudes superiores a 2000 metros acima do nível do mar.
- O aparelho deve ser desligado da sua fonte de alimentação durante a manutenção e aquando da substituição de peças.
- O cabo flexível externo ou o cabo desse transformador (carregador) não pode ser substituído; se o cabo estiver danificado, o transformador (carregador) deverá ser descartado.

- Se o cabo flexível externo ou o cabo desse transformador estiver danificado, deverá ser substituído pelo fabricante, por seu agente de serviço ou por uma pessoa com qualificação semelhante para evitar riscos.
- Se o cabo de energia estiver danificado, ele deverá ser substituído pelo fabricante, por seu agente de serviço ou por uma pessoa igualmente qualificada para evitar riscos.
- Este produto contém baterias que só podem ser substituídas por técnicos qualificados ou pelo serviço pós-venda.
- Este aparelho contém baterias que só podem ser substituídas por pessoas qualificadas.

ALERTA: Para recarregar a bateria, utilize apenas a unidade de alimentação removível fornecida com este aparelho. Não utilize um carregador de bateria de qualquer outro produto. Durante o carregamento, mantenha uma distância segura dos materiais combustíveis circundantes.

ALERTA: Não utilize qualquer bateria ou carregador de bateria de terceiros. Utilize apenas com a unidade de alimentação FY0422521500E.

ALERTA! Mantenha a tampa de plástico afastada de crianças para evitar asfixia.

AVISO! Nunca utilize o produto na proximidade de um local com água.

AVISO! Quando o produto estiver danificado, não o utilize.

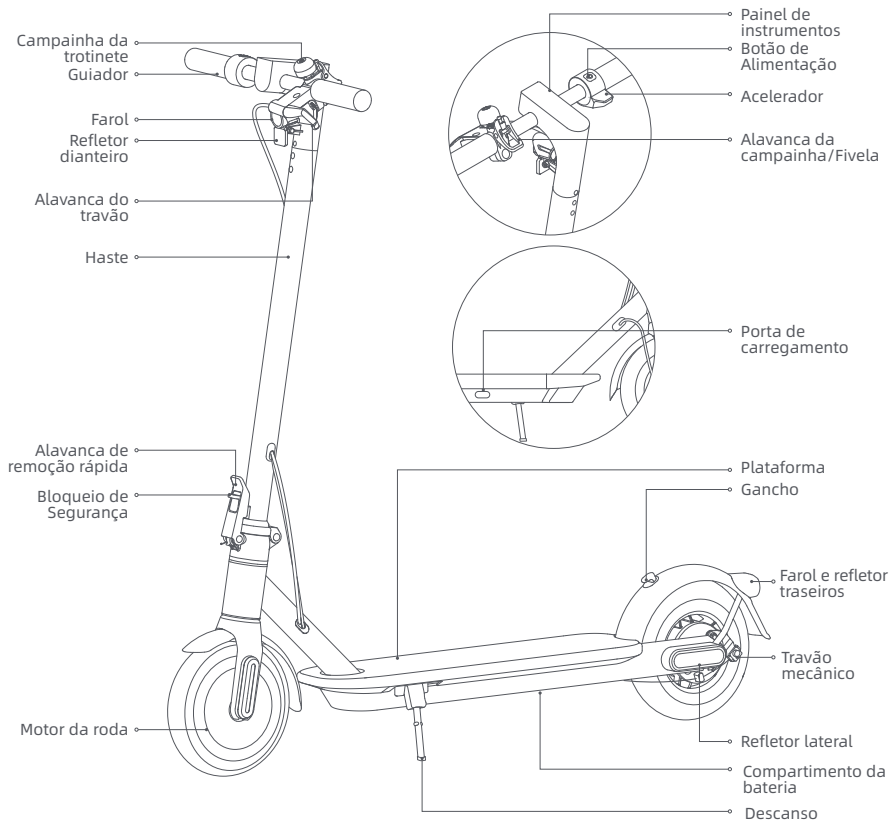
ALERTA! Tal como acontece com qualquer componente mecânico, um veículo está sujeito a tensões e desgaste elevados. Os vários materiais e componentes podem reagir de forma diferente ao desgaste ou à fadiga. Se a vida útil prevista para um componente tiver sido excedida, pode partir-se repentinamente, podendo, por conseguinte, provocar ferimentos no utilizador. Fendas, riscos e descoloração nas áreas sujeitas a esforços elevados indicam que o componente excedeu a sua vida útil e contacte um reparador autorizado ou especializado.

Atenção aos perigos de entalamento ou esmagamento das mãos nas seguintes posições durante a utilização:

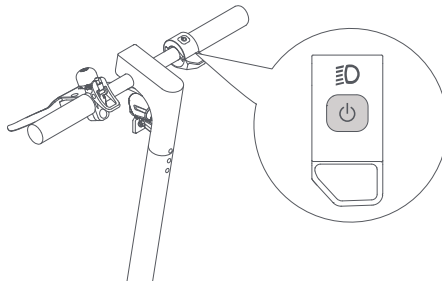
1. Entre o guidador e o eixo ao instalar o guidador.
2. Aberturas nas rodas.
3. Entre o guarda-lamas dianteiro e a Plataforma.
4. Entre a alavanca de desbloqueio rápido e o bloqueio da alavanca de desbloqueio rápido, e entre a articulação dobrável e o eixo ao dobrar ou desdobrar.
5. Entre os guarda-lamas e as rodas.

2. Visão geral do produto

Trotinete elétrica

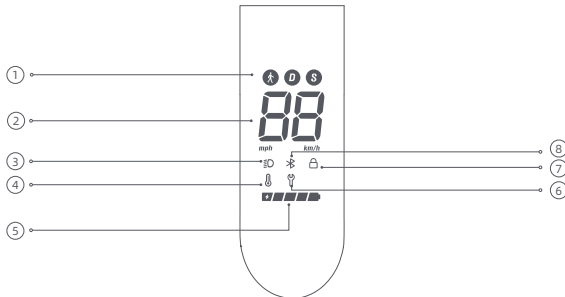


Ligar/desligar

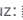



Prima o botão para ligar a trotineta e mantenha o botão premido durante 2 a 3 segundos para desligar a trotineta. Quando a trotineta está ligada, prima uma vez para ligar/desligar o farol e a luz traseira e prima duas vezes para alterar os modos de condução.

Painel de instrumentos



- ① Modos de condução: é destinado para o modo de caminhada e a sua velocidade máxima é de 6 km/h. D é destinado para o modo padrão. S é destinado para o modo desportivo.
- ② Velocímetro: Mostra a velocidade actual quando a trotineta está a funcionar. Quando a trotineta tem um problema, apresenta um código de erro. Quando a trotineta está a carregar, apresenta o nível actual da bateria.

- ③ Luz:  aceso significa que o farol e a luz traseira estão acesos, e  apagado indica que o farol e a luz traseira estão apagados. Ligue a trotinete e prima o botão de energia para acender ou apagar o farol e a luz traseira.
- ④ Aviso de temperatura: Se a temperatura da bateria for demasiado elevada ou demasiado baixa, o ícone do termómetro estará ligado. Utilize ou carregue a trotinete depois de a temperatura da bateria regressar ao intervalo de funcionamento normal.
- ⑤ Nível da bateria: A carga da bateria é indicada por 5 barras, cada uma representando aproximadamente 20% de uma bateria cheia.
- ⑥ Notificação de erro: Quando o ícone da chave inglesa é apresentado a vermelho, indica que a trotinete apresenta um erro.
- ⑦ Bloquear: Quando o ícone acende, indica que a trotinete está bloqueada. Pode bloquear/desbloquear a trotinete através da aplicação NAVEE.
- ⑧ Bluetooth: The Bluetooth icon is always on, indicating that the scooter has been successfully connected to the mobile device.

3. Cuidados e Manutenção

Limpeza

Antes de limpar a scooter, deve desligar a corrente, desligar a ficha dos cabos de carregamento e fechar bem a tampa de carregamento.

Limpe o chassi principal com um pano macio e húmido; a sujidade difícil de remover pode ser esfregada com uma escova de dentes. Depois, limpe todas as áreas com um pano seco.

ALERTA!

- Não lave a trotineta com um jacto de água a alta pressão.
- Não limpe a trotineta com um produto de limpeza corrosivo, o que danificará a estrutura externa e interna da trotineta.

Bateria

Carregue sempre antes de esgotar a bateria para prolongar a vida útil da mesma.

Ao conduzir, armazenar ou carregar, não exceda o limite de temperatura especificado (consulte as especificações). O não cumprimento das instruções de utilização, armazenamento ou carregamento pode resultar em danos na bateria, falha na carga e anulação da garantia.

A trotineta totalmente carregada tem um tempo de espera aproximado de 120-180 dias. Se não for utilizado durante um longo período de tempo, deve ser cobrado a cada 60 dias. Preste atenção ao tempo de espera para evitar danos irreversíveis na bateria causados pelo não carregamento.

ALERTA!

- Não use baterias de outros modelos ou marcas, pois pode haver risco de segurança.
- Utilize apenas o carregador da bateria original para evitar potenciais danos ou incêndio.
- Se a bateria estiver danificada ou embebida em água, não carregue nem continue a utilizá-la.
- Não retire a bateria. A remoção da bateria é complicada e o funcionamento incorrecto pode afectar o funcionamento da trotineta.

Armazenamento

Se a trotineta não for utilizada durante um longo período de tempo, carregue-a totalmente, depois desligue-a e guarde-a num local fresco e seco. Certifique-se de que a trotineta está desligada quando for transportada e mantida na embalagem original, se possível.

ALERTA!

- Não deixe a trotineta sob sol quente ou num local extremamente húmido durante longos períodos de tempo.
- Por favor não colocar a scooter perto de materiais inflamáveis.
- Este produto contém uma bateria de lítio incorporada e só deve ser transportado quando permitido pelas leis e regulamentos locais.

Instruções Ambientais

A trotineta contém uma bateria de iões de lítio recarregável e a eliminação inadequada destas baterias pode causar danos no ambiente. Siga os passos abaixo para retirar as baterias antes de eliminar a trotineta e elimine as baterias correctamente:

1. Antes de remover a bateria, desligue-a e drene-a em toda a sua extensão. Em seguida, rasgar o pedal e desapertar os parafusos de fixação entre o pedal e a armação para abrir o pedal.
2. Desligue o conector da bateria e depois retire as baterias. Não danifique a caixa da bateria para evitar qualquer risco de ferimentos. Não use a bateria se ela estiver danificada, apresentar um odor estranho, emitir fumaça ou ficar superaquecida. Mantenha uma bateria com vazamento longe de outros objetos.
3. Elimine as baterias removidas num centro de reciclagem profissional.

Programa de Manutenção da Trotineta (Recomendado):

Realizar manutenção regularmente na trotineta pode ajudar a manter a trotineta limpa e em bom estado, evitar riscos de segurança, minimizar avarias, retardar a deterioração da trotineta, e prolongar a vida útil.

Item	Objecto de Verificação	Ações Específicas	Mensalmente	De 3 em 3 meses	A cada 500 km/6 meses	A cada 1000 km/1 ano	A cada 10000 km/3 anos
Pneus	Desgaste da banda de rodagem dos pneus	Verificar se o pneu está rachado, deformado, desgastado, etc.			√	√	√
Parafusos	Parafusos de montagem do guiador	Aperte o parafuso que liga o conjunto do guiador ao conjunto do avanço (com o torque recomendado de $3,0 \pm 0,5$ N·m).		√	√	√	√
		Aperte o parafuso do acelerador (com o torque recomendado de $1,6 \pm 0,1$ N·m).					
		Aperte o parafuso da alavanca do travão (com o torque recomendado de $5,5 \pm 0,5$ N·m).				√	√

Item	Objecto de Verificação	Ações Específicas	Mensalmente	De 3 em 3 meses	A cada 500 km/6 meses	A cada 1000 km/1 ano	A cada 10000 km/3 anos
Funções	Ajuste do travão	Ajustar o travão mecânico Ferramenta: Ferramentas: chave hexagonal de 5 mm (a ferramenta precisa ser preparada pelo utilizador). Sempre que o travão estiver demasiado apertado, utilize a ferramenta para rodar a porca da haste roscada no sentido contrário ao dos ponteiros do relógio, de modo a reduzir ligeiramente a parte inferior exposta do cabo do travão. Sempre que o travão estiver demasiado solto, utilize a ferramenta para rodar a porca da haste roscada no sentido dos ponteiros do relógio, de modo a aumentar ligeiramente a parte inferior exposta do cabo do travão.			√	√	√
	Carregamento	Carregar a trotineta a uma temperatura adequada. O indicador no carregador de bateria ficará vermelho quando a trotineta está a carregar, e ficará verde quando a trotineta estiver totalmente carregada. O painel de controlo mostrará o estado de carga simultaneamente durante o carregamento.			√	√	√
	Guiador	Gire o guiador 60° para a esquerda e para a direita para garantir que o ângulo de viragem está correcto e que a direcção está livre de resistência e estagnação.				√	√
Componentes importantes	Conjunto de baterias	Carregar completamente a trotineta antes de a deixar sem ser utilizada durante muito tempo, e lembre-se de ligá-la para carregar de 60 em 60 dias.					√

As rodas, pastilhas de freio e outras partes vulneráveis estão desgastadas ou danificadas e precisam ser substituídas, por favor, entre em contato com o serviço pós-venda a tempo.

Para encontrar uma loja de serviços qualificada, entre em contato conosco pelo service@navee.tech/www.naveetech.com

4. Especificações

Product	Name	NAVEE Electric Scooter		
	Model	EasyRide 20-E	EasyRide 20-D	EasyRide 20-S
Dimensions	Vehicle: L x W x H (mm) [1]	1093 x 466 x 1098		
	After Folding: L x W x H (mm)	1091 x 463 x 435		
Net Weight	Vehicle Net Weight (kg)	14,0		
Rider	Load Range (kg)	25-90		
	Age (years)	16-50		
	Body Length (cm)	120-200		
Assembled Electric Scooter	Max. Speed (km/h)	25	20	20
	General Range (km) [2]	Aprox. 20		
	Max. Climbing Angle (%)	Aprox. 14		
	Suitable Surfaces	Caminhos de cimento ou asfalto, com degraus com menos de 1 cm e fissuras com menos de 3 cm.		
	Operating Temperature (°C)	-10 to 40		
	Storage Temperature (°C)	-20 to 45		
	IP Rating	IPX5		
	Charging Time (h)	Aprox. 6		
Battery Pack	Model	T2417-B63A		
	Nominal Voltage (VDC)	21,6		
	Max. Charge Voltage (VDC)	25,2		
	Rated Energy (Wh)	165,24		
	Intelligent Battery Management System	Proteção contra sobreaquecimento, curto-circuito, sobretensão, descarga excessiva e sobrecarga		
	Normal Charging Temperature Range (°C)	0 to 40		
Wheel Motor	Rated Capacity (Ah)	7,65		
	Rated Power (kW; W)	0,3; 300	0,3; 300	0,25; 250
	Model [3]	FY0422521500E		
	Output Power (kW; W)	0,0378; 37,8		
	Input	100-240 V~ 50/60 Hz		
	Rated Output (VDC; A)	25,2; 1,5		
Tire	Front & Back Tires	Pneus ocios internos sem manutenção		
Bluetooth	Frequency Band (s)	2.4000 - 2.4835 GHz		
	Max. RF Power (dBm)	8		

[1] Vehicle height: From the ground to the top of the scooter.

[2] General range: Measured when there is no wind and at 25°C, the scooter is fully charged to ride at a constant speed of 15 km/h on a flat surface with a load of 75 kg.

[3] To recharge the battery, only use the battery charger provided in the package. Please see battery charger parameters in Specifications.

5. Certificações

Diretiva relativa à restrição de substâncias perigosas (RoHS)

Este produto da SPACEWALKER PTE. LTD. com as partes incluídas (cabos, cordas e entre outros) cumprem a restrição da utilização de determinadas substâncias perigosas em equipamentos elétricos e eletrónicos no Anexo II 2011/65/EU e na respetiva revisão da Diretiva (EU) 2015/863.

Declaração de conformidade da UE



Este dispositivo cumpre os requisitos da UE relativos à limitação da exposição do público geral aos campos eletromagnéticos através da proteção da saúde pública.

Pelo presente, a SPACEWALKER PTE. LTD. declara que o equipamento de rádio do tipo [EasyRide 20-E], [EasyRide 20-D] e [EasyRide 20-S] está em conformidade com a Diretiva 2014/53/UE e 2006/42/EC.O texto completo da declaração de conformidade da UE está disponível em: www.naveetech.com

Declaração de conformidade com a União Europeia

Informações de reciclagem da bateria para a União Europeia



A bateria ou a embalagem da bateria estão identificadas de acordo com a Diretiva europeia 2006/66/CE e com a alteração 2013/56/UE relativamente a baterias e acumuladores e respetivos resíduos. A Diretiva determina o enquadramento para a devolução e reciclagem de baterias e acumuladores usados, tal como aplicável em toda a União Europeia. Esta identificação aplica-se a várias baterias para indicar que uma bateria não deve ser descartada, mas sim recuperada após o fim de vida útil, de acordo com a presente Diretiva.

De acordo com a Diretiva europeia 2006/66/CE e com a alteração 2013/56/UE, as baterias e acumuladores são identificados para indicar se foram recolhidos separadamente, ou se foram reciclados no fim de vida útil. A identificação na bateria pode incluir um símbolo químico para o metal envolvido na bateria (Pb para chumbo, Hg para mercúrio e Cd para cádmio). Os utilizadores de baterias e acumuladores não devem descartar estes produtos como resíduos urbanos indiferenciados. Devem, sim, utilizar o enquadramento de recolha para a devolução, reciclagem e tratamento de baterias e acumuladores. A participação dos clientes é importante para minimizar quaisquer potenciais efeitos das baterias e acumuladores sobre o ambiente e saúde pública, devido à potencial presença de substâncias perigosas.

Antes de colocar equipamentos elétricos e eletrónicos (EEE) no fluxo de recolha de resíduos ou em instalações de recolha de resíduos, o utilizador final de equipamentos que contenham baterias e/ou acumuladores devem remover estes produtos para uma recolha separada.

Diretiva relativa aos resíduos de equipamentos elétricos e eletrónicos (REEE)



Todos os produtos que apresentem este símbolo são considerados resíduos de equipamentos elétricos e eletrónicos (REEE, conforme a Diretiva 2012/19/UE), não devendo ser misturados com resíduos domésticos indiscriminados. Em vez disso, o utilizador deve proteger a saúde humana e o meio ambiente e entregar o respetivo equipamento num ponto de recolha designado para reciclagem de resíduos de equipamentos elétricos e eletrónicos, indicado pelo governo ou pelas autoridades locais. A

correta eliminação e a reciclagem ajudarão a prevenir eventuais consequências negativas para o meio ambiente e a saúde humana. Para obter mais informações sobre os locais e os termos e condições de tais pontos de recolha, entre em contacto com a entidade responsável pela instalação ou com as autoridades locais.

Aviso de segurança



Perigo!
Leia o manual do usuário antes de usar.



ALERTA!
Leia com atenção e guarde-o para referência futura.



ADVERTÊNCIA
Superfície quente



Não expor à humidade



Luz



SMPS com transformador de segurança com isolamento à prova de curto-circuito (intrínseco ou não intrínseco)



SMPS (Unidade de alimentação elétrica em modo de comutação)



Fusível miniatura de desfasamento temporal em que X é o símbolo da característica tempo/corrente, tal como indicado na norma IEC 60127



ALERTA!
Somente para uso interno (para o carregador).



ALERTA!
Aparelho de classe II



ADVERTÊNCIA
Bordaduras afiadas



≤5000m

O carregador deve ser usado em altitudes não superiores a 5000 m.



Luz de direção



Corrente contínua



Corrente alternada



Polaridade da saída do carregador, centro positivo

Carregador de bateria

AVISO

1. O carregador foi concebido apenas para utilização no interior. Não o exponha à chuva ou à neve.
2. Não utilizar pilhas não recarregáveis, pois podem sobreaquecer e rebentar.
3. A utilização incorreta de outros tipos de pilhas pode provocar o rebentamento das mesmas, causando ferimentos e danos pessoais.
4. Não deve incinerar, desmontar ou provocar curto-circuito nas baterias.
5. Se o desempenho das baterias diminuir substancialmente, é altura de as substituir.
6. Guarde o carregador num local fresco e seco quando não estiver a ser utilizado.
7. Desligue a alimentação antes de efetuar ou interromper as ligações à bateria.
8. Gases explosivos. Evite as chamas e as faíscas. Providencie uma ventilação adequada durante o carregamento.
9. Durante o carregamento, a bateria deve ser colocada numa área bem ventilada.
10. Mantenha os aparelhos elétricos fora do alcance de crianças ou pessoas doentes. Não os deixe utilizar os aparelhos sem supervisão.
11. Este aparelho não se destina a ser utilizado por pessoas (inclusive crianças) com capacidades físicas, sensoriais ou mentais reduzidas, ou com falta de experiência e conhecimento, a não ser que estejam a ser supervisionadas ou lhes tenham sido dadas instruções sobre o uso do aparelho por uma pessoa responsável pela sua segurança.
12. • Este aparelho pode ser usado por crianças com mais de 8 anos e pessoas com capacidades físicas, sensoriais ou mentais reduzidas ou com falta de experiência ou conhecimento, caso sejam supervisionadas ou se receberem instruções relativas à utilização do aparelho de forma segura e compreenderem os riscos envolvidos. As crianças não devem brincar com o aparelho. A limpeza e a manutenção não devem ser feitas por crianças sem supervisão.
13. O cabo flexível externo ou o cabo deste transformador não podem ser substituídos; se o cabo estiver danificado, o transformador deve ser inutilizado.
14. Se o cabo de alimentação estiver danificado, deve ser substituído por um cabo especial ou por um conjunto disponível no fabricante ou no seu agente de serviço.

Instruções de carregamento

1. Ligue o carregador diretamente a uma fonte de alimentação. Nunca utilize extensões.
2. O carregador só pode carregar baterias de iões de lítio.
3. Evite o carregamento inverso.
4. Os carregadores não se destinam a carregar baterias de automóveis.

 parte de fonte de alimentação destacável

Conjunto de baterias

AVISO

1. Não deve desmontar, abrir ou fragmentar as pilhas secundárias ou as baterias.
2. Mantenha as baterias fora do alcance das crianças. A utilização das baterias por crianças deve ser supervisionada. Especialmente, mantenha as baterias pequenas fora do alcance de crianças pequenas.
3. Consulte imediatamente um médico em caso de ingestão de uma pilha ou de uma bateria.
4. Não exponha as pilhas ou baterias ao calor ou ao fogo. Evite o armazenamento sob luz solar direta.
5. Não provoque curto-circuito numa pilha ou numa bateria. Não guarde as pilhas ou baterias ao acaso numa caixa ou gaveta onde possam entrar em curto-circuito entre si ou onde um curto-circuito possa ser provocado por outros objetos metálicos.
6. Não retire uma pilha ou bateria da sua embalagem original até ser necessária para utilização.
7. Não submeter as pilhas ou baterias a choques mecânicos.
8. Em caso de derrame de uma célula, não deixe que o líquido entre em contacto com a pele ou com os olhos. Em caso de contacto, lave a zona afetada com água abundante e consulte um médico.
9. Não utilize qualquer outro carregador para além do especificamente fornecido para utilização com o equipamento.
10. Observe as marcas de mais (+) e menos (-) na pilha, na bateria e no equipamento e assegure uma utilização correta.
11. Não utilize qualquer pilha ou bateria que não tenha sido concebida para ser utilizada com o equipamento.
12. Não misture células de fabrico, capacidade, tamanho ou tipo diferentes num mesmo dispositivo.
13. Compre sempre a bateria recomendada pelo fabricante do dispositivo para o equipamento.
14. Mantenha as pilhas e baterias limpas e secas.
15. Limpe os terminais da pilha ou da bateria com um pano limpo e seco se ficarem sujos.
16. As pilhas e baterias secundárias têm de ser carregadas antes de serem utilizadas. Utilize sempre o carregador correto e consulte as instruções do fabricante ou o manual do equipamento para obter instruções de carregamento adequadas.
17. Não deixe uma bateria em carga prolongada quando não estiver a ser utilizada.
18. Após longos períodos de armazenamento, pode ser necessário carregar e descarregar as pilhas ou baterias várias vezes para obter o máximo desempenho.
19. Guarde a literatura original do produto para referência futura.
20. Utilize a pilha ou bateria apenas na aplicação para a qual foi concebida.
21. Sempre que possível, retire a bateria do equipamento quando não estiver a ser utilizada.
22. Elimine de forma adequada.

WAŻNE! Przed rozpoczęciem użytkowania produktu należy dokładnie zapoznać się z treścią instrukcji i zachować ją do wykorzystania w przyszłości. Szczegółową instrukcję elektroniczną można znaleźć na stronie www.naveetech.com.

- Urządzenie to nie jest przeznaczone do użytku przez osoby (w tym dzieci) o ograniczonych zdolnościach fizycznych, sensorycznych lub umysłowych, a także nieposiadające doświadczenia i wiedzy, chyba że otrzymały one nadzór lub instrukcje od osoby odpowiedzialnej za ich bezpieczeństwo. **D**zieci powinny znajdować się pod nadzorem, aby zapewnić, że nie będą bawić się one urządzeniem.
- Urządzenie to przeznaczone jest dla osób starszych niż 8 lat oraz osób o ograniczonych zdolnościach fizycznych, sensorycznych lub umysłowych, jak również osób nieposiadających doświadczenia i wiedzy, jeżeli otrzymały one nadzór lub instrukcje dotyczące bezpiecznego korzystania z urządzenia i rozumieją związane z tym zagrożenia. **D**zieci nie powinny bawić się tym urządzeniem. **D**zieci nie powinny czyścić oraz przeprowadzać konserwacji urządzenia bez nadzoru.
- Urządzenie może być używane wyłącznie z zasilaczem dostarczonym wraz z urządzeniem.
- Przed rozpoczęciem jazdy należy zawsze założyć kask, ochraniacze na dłonie/nadgarstki, nakolanniki, ochraniacze na łokcie i inny sprzęt ochronny.
- Hulajnoga może być używana tylko przez jedną osobę. **N**ależy zawsze nosić obuwie. **N**ie należy zmieniać sposobu użytkowania pojazdu.
- **T**en produkt jest przeznaczony wyłącznie do jazdy indywidualnej i nie jest przeznaczony do użytku w akrobacji.
- **P**rodukt ten przeznaczony jest dla osób powyżej 16 roku życia i poniżej 50 roku życia. **Q**osoby, które nie powinny jeździć na tym produkcie, to: (1) osoby będące pod wpływem alkoholu lub narkotyków, (2) osoby niezdolne do wykonywania intensywnych ćwiczeń fizycznych ze względu na stan zdrowia lub kondycję fizyczną, (3) osoby niezdolne do utrzymania równowagi ze względu na upośledzoną sprawność ruchową, (4) osoby, których masa przekracza limit wagi, (5) kobiety w ciąży, (6) osoby z upośledzeniem wzroku i/lub słuchu.
- **P**odczas jazdy na tym urządzeniu należy przestrzegać lokalnych przepisów i regulacji prawnych. **Z**abrania się jeździć w miejscach, gdzie jest to zabronione przez lokalne przepisy.
- **P**odczas jazdy w krajach i regionach, w których nie ma odpowiednich krajowych norm i przepisów dotyczących hulajnóg elektrycznych, należy ściśle przestrzegać wymogów bezpieczeństwa dla kierowców, zawartych w niniejszej instrukcji obsługi. Firma SPACEWALKER PTE. LTD. nie ponosi żadnej bezpośredniej i łącznej odpowiedzialności za wszelkie straty materialne, osobowe, wypadki, spory prawne oraz wszelkie inne niekorzystne zdarzenia powodujące konflikty interesów spowodowane użyciem niezgodnym z instrukcją obsługi.
- **Z**abrania się jeździć po pasach ruchu oraz w strefach mieszkaniowych, gdzie dozwolone są zarówno pojazdy, jak i piesi. Przejeżdżając przez miejsce przeznaczone dla pieszych, którym przysługują prawo przejścia, np. przez chodnik, należy wysiąść oraz przeprowadzić hulajnogę.
- **P**odczas pierwszej jazdy nie należy wybierać miejsc, w których mogą pojawić się dzieci, piesi, zwierzęta domowe, pojazdy, rowery lub inne przeszkody i potencjalne zagrożenia. Wymagane przygotowania do korzystania z tego

- produktu obejmują: upewnienie się, że układ kierowniczy jest odpowiednio wyregulowany oraz to, że wszystkie podłączone akcesoria (takie jak system składania) są odpowiednio dokręcone i nieuszkodzone oraz że hamulce i koła są w dobrym stanie.
- Przed każdym użyciem hulajnogi elektrycznej należy przeprowadzić jej podstawową kontrolę. W przypadku wystąpienia nietypowych warunków, takich jak poluzowane części, niski poziom baterii, przebiecie opony lub nadmierne zużycie opon, dziwne dźwięki, nieprawidłowe działanie i inne nietypowe zjawiska, należy natychmiast przerwać jazdę i wezwać fachową pomoc.
- Wymagane przygotowania do korzystania z tego produktu obejmują: upewnienie się, że układ kierowniczy jest odpowiednio wyregulowany oraz to, że wszystkie podłączone akcesoria (takie jak system składania) są odpowiednio dokręcone i nieuszkodzone oraz że hamulce i koła są w dobrym stanie.
- Aby móc bezpiecznie jeździć, trzeba dobrze widzieć to, co jest przed nami, i być dobrze widocznym dla innych.
- Nie należy jeździć przy złej pogodzie, słabej widoczności lub po intensywnym wysiłku fizycznym.
- Podczas jazdy po zmkroku należy włączyć światła awaryjne i zmniejszyć prędkość.
- Przed opuszczeniem pojazdu należy upewnić się, że podpórka jest ustawiona na płaskiej powierzchni, a hulajnoga jest na tyle stabilna, że może stać samodzielnie.
- Ta hulajnoga elektryczna jest urządzeniem rekreacyjnym. Jednak w przypadku wjazdu na teren publiczny będzie ona traktowana jako środek transportu, narażony na zagrożenia bezpieczeństwa, tak jak w przypadku wszystkich innych środków transportu. Jeżdżenie w ścisłej zgodności z poniższymi instrukcjami pozwala w jak największym stopniu chronić Ciebie i innych.
- Użytkownik powinien sprawdzić ograniczenia stosowania zgodnie z lokalnymi przepisami. Jeździć po drogach lub obszarach dozwolonych przez lokalne przepisy i prawa oraz parkować w miejscach dozwolonych. Jeżeli lokalne przepisy i regulacje prawne dotyczące maksymalnej prędkości zawierają odmienne postanowienia, pierwszeństwo mają lokalne przepisy i regulacje prawne. Proszę szanować i przestrzegać zasad bezpieczeństwa ruchu drogowego i zasad dotyczących pojazdów.
- Przestrzegać pierwszeństwa pieszych. Podczas jazdy należy starać się unikać przestraszenia innych osób, zwłaszcza dzieci. Jeśli jedziesz z tyłu za pieszymi, zadzwoń dzwonkiem, aby ich uprzedzić oraz zwolnij skuter, aby przejechać z ich lewej strony, a podczas przejeżdżania z niewielką prędkością obok nich trzymaj się prawej strony (dotyczy krajów, w których pojazdy poruszają się po prawej stronie). Podczas przejeżdżania obok pieszych należy utrzymywać jak najmniejszą prędkość lub zejść z pojazdu.
- Bez względu na okoliczności należy zawsze przewidywać tor jazdy oraz prędkość, przestrzegając przepisów ruchu drogowego, przepisów dotyczących chodników i zwracać szczególną uwagę na osoby najbardziej narażone na wypadki. Przy zbliżaniu się do pieszego lub rowerzysty należy zasygnalizować swoją obecność, jeśli nie jest się widocznym lub słyszalnym. Podczas przechodzenia należy przechodzić przez chronione przejścia. Podczas przechodzenia należy przechodzić przez chronione przejścia. Należy unikać miejsc o dużym natężeniu ruchu oraz miejsc zatoczonych.
- Jazda z dużą prędkością lub z prędkością, która nie jest odpowiednia lub adekwatna do sytuacji (złe warunki pogodowe, zła nawierzchnia itp.) może prowadzić do potencjalnej utraty stabilności lub panowania nad pojazdem. Aby zmniejszyć ryzyko, należy przestrzegać wszystkich instrukcji zawartych w niniejszym dokumencie. Podczas montażu i demontażu produktu należy zachować ostrożność, ponieważ może on spaść i spowodować obrażenia ciała.
- Ruch drogowy w mieście wiąże się z wieloma przeszkodami, takimi jak krawężniki czy schody. Zaleca się unikać skoków przez przeszkody. Ważne jest, aby przed pokonaniem tych przeszkód przewidzieć i dostosować swój tor jazdy i prędkość do toru ruchu pieszych. Zaleca się również zejście z pojazdu, gdy przeszkody te staną się niebezpieczne ze względu na ich kształt, wysokość lub poślizg. Nie należy pożyczyc hulajnogi osobom, które nie

znają zasad jej obsługi. Przed wypożyczeniem hulajnogi elektrycznej innym osobom należy upewnić się, że dany użytkownik zapoznał się z niniejszą instrukcją obsługi, obejrzał film instruktażowy oraz zrozumiał podstawowe zasady działania. Należy przypomnieć tym osobom o konieczności prawidłowego noszenia środków ochrony indywidualnej tak, aby zapewnić ich bezpieczeństwo.

- Proszę skontaktować się ze sprzedawcą w celu uzyskania informacji o odpowiednich organizacjach szkoleniowych.
- Niezależnie od okoliczności należy zawsze dbać o siebie i innych.
- Wszelkie obciążenia przymocowane do kierownicy wpływają na stabilność pojazdu.
- Nie należy dotykać układu hamulcowego, ponieważ ostre krawędzie mogą spowodować urazy ciała. Podczas użytkowania hamulec może się nagrzewać. Nie dotykać po użyciu.
- Emisyjny poziom ciśnienia akustycznego skorygowany charakterystyką A jest mniejszy niż 70 dB(A).
- W celu zapewnienia lepszych wrażeń z jazdy zaleca się przeprowadzanie regularnej konserwacji produktu.
- Należy usuwać wszelkie ostre krawędzie powstałe w wyniku użytkowania.
- Nie należy stosować akcesoriów i części dodatkowych niezatwierdzonych przez producenta.
- Regularna konserwacja pojazdu jest ważnym czynnikiem bezpieczeństwa.
- Nakrętki oraz inne elementy samokontrujące mogą stracić skuteczność i mogą wymagać ponownego dokręcenia.
- Regularnie sprawdzać dokręcenie różnych elementów śrubowych, w szczególności osi kół, układu składania, układu kierowniczego i wału hamulcowego.
- Nie należy modyfikować ani przerabiać pojazdu, w tym rury i tulei kierownicy, wspornika kierownicy, mechanizmu składania i hamulca tylnego.
- Nie należy wprowadzać żadnych modyfikacji, które nie zostały opisane w instrukcji.
- Należy upewnić się, że podczas transportu hulajnoga jest wyłączone i w miarę możliwości przechowywana w oryginalnym opakowaniu.
- Aby uniknąć przypadkowych obrażeń, takich jak porażenie prądem elektrycznym lub pożar, spowodowanych niewłaściwym użytkowaniem, przed rozpoczęciem użytkowania należy uważnie przeczytać instrukcję i zachować ją do wykorzystania w przyszłości.
- Produkt ten należy używać zgodnie z niniejszą instrukcją. Użytkownicy ponoszą odpowiedzialność za wszelkie straty lub szkody wynikające z niewłaściwego użytkowania tego produktu.
- Podczas ładowania wyłącz pojazd lub ustaw go w odpowiednim trybie innym niż roboczy.
- Nie ładować baterii, jeśli port ładowania lub kabel do ładowania jest mokry. Przed rozpoczęciem ładowania należy dokładnie przeczytać niniejszą instrukcję.
- Nie należy ładować hulajnogi w temperaturze otoczenia powyżej 40° C lub poniżej 0° C.
- Zachowaj bezpieczną odległość, gdy hulajnoga porusza się po równej drodze bez nachylenia. Droga hamowania ulega wydłużeniu na mokrej nawierzchni.
- Ten produkt nie jest wyposażony w regulowany układ amortyzacji (jeśli dotyczy).
- Urządzenie nie jest przeznaczone do użytku na wysokości większej niż 2000 m nad poziomem morza.
- Podczas serwisowania i wymiany części urządzenie powinno być odłączone od źródła zasilania.
- Zewnętrzny elastyczny kabel lub przewód transformatora (ładowarki) nie może być wymieniony; jeśli przewód

- zostanie uszkodzony, transformator (ładowarkę) należy zutilizować.
- Jeśli zewnętrzny elastyczny kabel lub przewód transformatora jest uszkodzony, powinien on zostać wymieniony przez producenta, jego przedstawiciela serwisowego lub podobnie wykwalifikowaną osobę w celu uniknięcia zagrożenia.
- Jeśli przewód zasilający jest uszkodzony, musi on zostać wymieniony przez producenta, jego przedstawiciela serwisowego lub podobnie wykwalifikowane osoby w celu uniknięcia zagrożenia.
- Produkt ten zawiera baterie, które mogą być wymienione tylko przez wykwalifikowanych techników lub serwis posprzedażowy.
- Urządzenie to zawiera baterie, które mogą być wymieniane wyłącznie przez wykwalifikowane osoby.
- **OSTRZEŻENIE: Do ładowania baterii należy używać wyłącznie odłączalnego zasilacza dostarczonego wraz z urządzeniem. Nie należy używać ładowarki pochodzącej z innego produktu. Podczas ładowania należy zachować bezpieczną odległość od otaczających materiałów palnych.**
- **OSTRZEŻENIE: Nie należy używać baterii ani ładowarek innych firm. Stosować tylko z zasilaczem FY0422521500E.**
- **OSTRZEŻENIE! Proszę trzymać plastikową osłonę z dala od dzieci, aby uniknąć przypadków uduszenia.**
- **OSTRZEŻENIE! Nigdy nie używać tego produktu w pobliżu źródła wody.**
- **OSTRZEŻENIE! W przypadku uszkodzenia produktu należy zaprzestać jego używania.**
- **OSTRZEŻENIE! Jak każdy element mechaniczny, pojazd ten narażony jest na duże naprężenia i zużycie. Poszczególne materiały i elementy mogą różnie reagować na zużycie lub zmęczenie materiału. Jeśli przekroczony zostanie oczekiwany okres eksploatacji danego elementu, może on ulec nagłemu uszkodzeniu, co grozi obrażeniami ciała użytkownika. Pęknięcia, zarysowania i odbarwienia w miejscach narażonych na duże naprężenia wskazują na przekroczenie okresu**

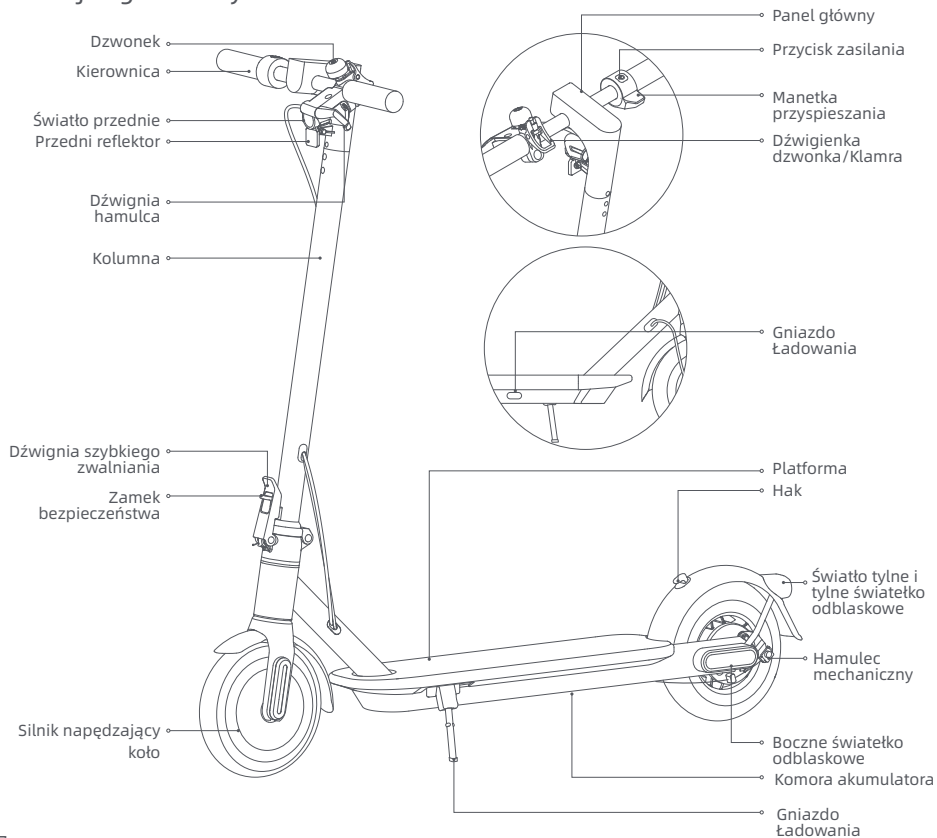
eksploatacji elementu i takim wypadku należy skontaktować się z autoryzowanym lub wyspecjalizowanym warsztatem naprawczym.

Podczas użytkowania uważaj na ryzyko zmiżdżenia dłoni i następujące miejsca, w których mogą zostać pochwycone:

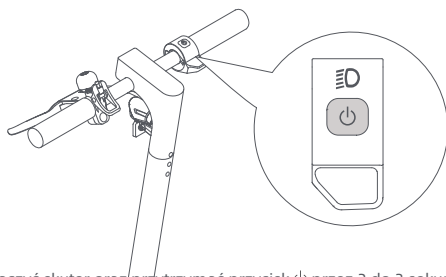
1. Pomiędzy kierownicą a mostkiem podczas montażu kierownicy
2. Otwory na kołach
3. Pomiędzy przednim błotnikiem a podestem
4. Pomiędzy dźwignią szybkiego zwalniania a jej blokadą oraz pomiędzy składanym złączem a mostkiem podczas składania lub rozkładania
5. Pomiędzy błotnikami a kołami



Zawartość opakowania

Hulajnoga elektryczna

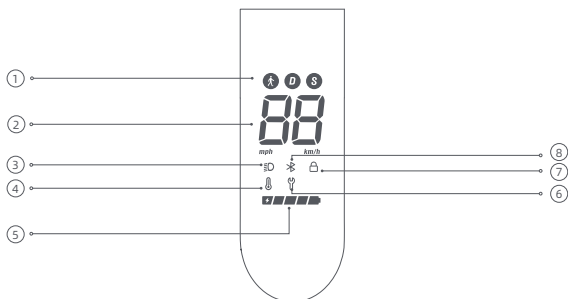



Włączanie/wyłączanie zasilania





Nacisnąć przycisk , aby włączyć skuter oraz przytrzymać przycisk  przez 2 do 3 sekund, aby wyłączyć skuter. Gdy hulajnoga jest włączona, nacisnąć raz, aby włączyć/wyłączyć światło przednie i tylne, a następnie nacisnąć dwa razy, aby zmienić tryb jazdy.

Panel główny



- ① Tryby jazdy:  oznacza tryb spacerowy, a jego maksymalna prędkość wynosi 6 km/h. D oznacza tryb standardowy. S oznacza tryb sportowy.
- ② Prędkościomierz: Wyświetla aktualną prędkość podczas jazdy. Gdy hulajnoga posiada usterkę, wyświetla na kod błędu. Podczas ładowania hulajnogi wyświetlany jest aktualny poziom naładowania baterii.

- ③ Światło:  zaświecenie oznacza, że światło przednie i tylne jest włączone, a  zgaśnięcie – że jest wyłączone. Włącz hulajnogę i naciśnij przycisk zasilania, aby włączyć lub wyłączyć światło przednie i tylne.
- ④ Ostrzeżenie o temperaturze: Jeśli temperatura baterii jest zbyt wysoka lub zbyt niska, zaświeci się ikonka termometru. Po przywróceniu temperatury baterii do normalnego zakresu można kontynuować użytkowanie lub ładowanie hulajnogi.
- ⑤ Poziom baterii: Stan naładowania baterii wskazywany jest przez 5 pasków, z których każdy reprezentuje około 20% pełnego naładowania.
- ⑥ Powiadomianie o błędach: Gdy ikona klucza wyświetlana jest na czerwono, oznacza to, że w hulajnodze wystąpił błąd.
- ⑦ Blokada: Świecąca ikona wskazuje, że hulajnoga jest zablokowana. Hulajnogę można zablokować/odblokować za pomocą aplikacji NAVEE.
- ⑧ Bluetooth: Ikonka Bluetooth jest zawsze włączona, wskazując, że hulajnoga została pomyślnie połączona z urządzeniem mobilnym.

3. Pielęgnacja i konserwacja

Czyszczenie

Przed czyszczeniem hulajnogi proszę wyłączyć zasilanie, odłączyć kable ładowania i szczelnie zamknąć pokrywę ładowania.

Przetrzeć główną obudowę miękką, wilgotną szmatką, a trudne do usunięcia zabrudzenia można wyszorować szczoteczką do zębów. Następnie wytrzeć całość suchą szmatką.

OSTRZEŻENIE!

- Nie należy myć hulajnogi strumieniem wody pod wysokim ciśnieniem.
- Nie należy czyścić hulajnogi żrącym środkiem czyszczącym, gdyż mógłby on uszkodzić zewnętrzną i wewnętrzną strukturę hulajnogi.

Bateria

Aby przedłużyć żywotność baterii, należy zawsze ładować ją przed wyczerpaniem.

Podczas jazdy, składowania lub ładowania nie należy przekraczać określonego limitu temperatury (patrz specyfikacje). Nieprzestrzeganie instrukcji dotyczących użytkowania, składowania lub ładowania może spowodować uszkodzenie baterii, brak możliwości jej ładowania oraz utratę gwarancji.

Czas czuwania w pełni naładowanej hulajnogi wynosi w przybliżeniu 120-180 dni. Jeśli nie jest ona używana przez dłuższy czas, należy ją ładować co 60 dni. Należy zwrócić uwagę na czas czuwania tak, aby zapobiec nieodwracalnemu uszkodzeniu baterii spowodowanemu brakiem ładowania.

OSTRZEŻENIE!

- Nie należy używać zestawów baterii innych modeli lub marek, ponieważ może to stanowić zagrożenie dla bezpieczeństwa.
- Aby uniknąć potencjalnych uszkodzeń lub pożaru, należy używać wyłącznie oryginalnej ładowarki.
- Jeśli bateria jest uszkodzona lub nasiąknięta wodą, nie należy jej ładować ani dalej używać.
- Nie demontować baterii. Wyjmowanie baterii jest skomplikowane, a niewłaściwa operacja może wpłynąć na działanie hulajnogi.

Przechowywanie

Jeśli hulajnoga nie będzie używana przez dłuższy czas, należy ją w pełni naładować, a następnie wyłączyć i przechowywać w chłodnym, suchym miejscu. Aby zapobiec uszkodzeniu baterii, należy ładować hulajnogę co najmniej raz na 2 miesiące. Należy upewnić się, że podczas transportu hulajnoga jest wyłączona i w miarę możliwości przechowywana w oryginalnym opakowaniu.

OSTRZEŻENIE!

- Nie należy pozostawiać hulajnogi na dłuższy czas w miejscach silnie nasłonecznionych lub o dużej wilgotności.
- Prosimy nie umieszczać hulajnogi w pobliżu materiałów łatwopalnych.
- Ten produkt zawiera wbudowaną baterię litową i może być transportowany tylko wtedy, gdy jest to dozwolone przez lokalne prawo i przepisy.

Instrukcje dotyczące ochrony środowiska

Hulajnoga zawiera zestaw akumulatorów litowo-jonowych, który można ponownie ładować, a jego niewłaściwe usuwanie może być szkodliwe dla środowiska. Aby zagwarantować prawidłową utylizację hulajnogi proszę wykonać poniższe czynności:

1. Przed wyjęciem baterii należy wyłączyć zasilanie i rozładować ją do pełna. Następnie rozłożyć podnóżek i odkręcić śruby mocujące między pedałem a ramą tak, aby otworzyć podnóżek.
2. Odłączyć złącze baterii, a następnie wyjąć baterie. Nie uszkadzać obudowy baterii, aby uniknąć ryzyka obrażeń. Nie należy używać baterii, jeśli jest uszkodzona, ma dziwny zapach, wydziela dym lub ulega przegrzaniu. Nieszczelną baterię należy trzymać z dala od innych przedmiotów.
3. Wyjęte baterie należy oddać do profesjonalnego punktu utylizacji.

Harmonogram konserwacji hulajnogi (zalecany):

Regularna konserwacja hulajnogi może pomóc utrzymać ją w czystości i dobrym stanie, uniknąć zagrożeń bezpieczeństwa, zminimalizować awarie, spowolnić proces niszczenia i wydłużyć jej żywotność.

Pozycja	Serwisowany przedmiot	Działania	Co miesiąc	Co 3 miesiące	Co 500 km/ 6 miesięcy	Co 1000 km/ 1 rok	Co 10000 km/ 3 lata
Opony	Zużycie bieżnika opony	Sprawdź, czy opona nie jest popękana, zdeformowana, zużyta itp.			√	√	√
Śruby	Śruby zespołu kierownicy	Dokręć śrubę łączącą zespół kierownicy z zespołem wspornika (z zalecanym momentem $3,0 \pm 0,5$ N-m).		√	√	√	√
		Dokręć śrubę akceleratora (z zalecanym momentem $1,6 \pm 0,1$ N-m).					
		Dokręć śrubę dźwigni hamulca (z zalecanym momentem $5,5 \pm 0,5$ N-m).				√	√

Pozycja	Serwisowany przedmiot	Działania	Co miesiąc	Co 3 miesiące	Co 500 km/ 6 miesięcy	Co 1000 km/ 1 rok	Co 10000 km/ 3 lata
Funkcje	Regulacja hamulca	<p>Przed regulacją upewnij się, że hulajnoga jest wyłączona i nie jest ładowana. Narzędzie: klucz sześciokątny 5 mm (narzędzie musi być zapewnione przez użytkownika). Podczas regulacji pociągnij za koniec linki hamulcowej tak, aby linka była napięta. Uwagi: Jeśli hamulec jest zbyt ciasny, przy użyciu narzędzia obróć nakrętkę na pręcie ściągającym w lewą stronę, aby nieco skrócić widoczną dolną część przewodu hamulca. Jeśli jest zbyt luźny, przy użyciu narzędzia obróć nakrętkę na pręcie ściągającym w prawą stronę, aby nieco wydłużyć widoczną dolną część przewodu hamulca.</p>			√	√	√
	Ładowanie	<p>Naładuj hulajnogę w odpowiedniej temperaturze. Wskaźnik na ładowarce jest czerwony, gdy hulajnoga się ładuje i zmienia się na zielony, gdy jest ona w pełni naładowana. Podczas ładowania panel sterowania pokazywał będzie stan naładowania w czasie rzeczywistym.</p>			√	√	√
	Kierownica	<p>Obróć kierownicę o 60° w lewo i w prawo, aby upewnić się, że kąt skrętu jest prawidłowy, a układ kierowniczy jest wolny od oporów i zastoju.</p>				√	√
Ważne elementy	Montaż akumulatora	<p>Przed odstawieniem hulajnogi na dłuższy czas naładuj ją do pełna, a co 60 dni włączaj ją w celu naładowania.</p>					√

Koła, kłocki hamulcowe i inne wrażliwe części mogą ulec zużyciu lub uszkodzeniu, skontaktuj się z serwisem posprzedażnym w odpowiednim momencie.

Aby znaleźć wykwalifikowany warsztat serwisowy, skontaktuj się z nami za pośrednictwem service@navee.tech / www.naveetech.com.

4. Dane techniczne

Produkt	Nazwa	NAVEE Electric Scooter		
	Model	EasyRide 20-E	EasyRide 20-D	EasyRide 20-S
Wymiary	Pojazd: Dł. x szer. x wys. (mm) ^[1]	1093 x 466 x 1098		
	Po złożeniu: Dł. x szer. x wys. (mm)	1091 x 463 x 435		
Masa netto	Masa netto pojazdu (kg)	14,0		
Użytkownik	Zakres obciążenia (kg)	25-90		
	Wiek (w latach)	16 - 50		
	Wzrost użytkownika (cm)	120 - 200		
Zmontowana hulajnoga elektryczna	Prędkość maks. (km/h)	25	20	20
	Typowy zasięg (km) ^[2]	ok. 20		
	Maks. kąt podjazdu (%)	ok. 14		
	Zalecane nawierzchnie	Drogi cementowe lub asfaltowe z nierównościami mniejszymi niż 1 cm lub pęknięciami węższymi niż 3 cm		
	Temperatura użytkowania (°C)	-10 to 40		
	Temperatura przechowywania (°C)	-20 to 45		
	Stopień ochrony IP	IPX5		
	Czas ładowania (godz.)	ok. 6		
Akumulator	Model	T2417-B63A		
	Napięcie znamionowe (VDC)	21,6		
	Maks. napięcie ładowania (VDC)	25,2		
	Energia nominalna (Wh)	165,24		
	Inteligentny system zarządzania akumulatorem	Zabezpieczenie przed przegrzaniem, zwarciem, prądem przetężeniowym, nadmiernym rozładowaniem i przeladowaniem		
	Normalny zakres temperatur ładowania (°C)	0 to 40		
	Pojemność nominalna (Ah)	7,65		
Silnik napędzający koło	Moc nominalna (kW; W)	0,3; 300	0,3; 300	0,25; 250
Ładowarka do akumulatora	Model ^[3]	FY0422521500E		
	Moc wyjściowa (kW; W)	0,0378; 37,8		
	Wejście	100-240 V~ 50/60 Hz		
	Znamionowa moc wyjściowa (VDC; A)	25,2; 1,5		
Opona	Przednie i tylne opony	Bezobsługowe wewnętrzne opony drążone		
Bluetooth	Pasma częstotliwości (s)	2,4000 - 2,4835 GHz		
	Moc maks. RF (dBm)	8		

[1] Wysokość pojazdu: od podłoża do najwyższego punktu hulajnogi.

[2] Typowy zasięg: mierzony w warunkach bezwietrznych przy temperaturze 25°C, przy założeniu, że hulajnoga jest w pełni naładowana i porusza się z prędkością 15 km/h po płaskiej nawierzchni z obciążeniem 75 kg.

[3] Do ładowania akumulatora należy używać wyłącznie zasilacza dołączonego do opakowania. Parametry ładowarki akumulatora można znaleźć w danych technicznych.

5. Certyfikaty

Dyrektywa w sprawie ograniczenia stosowania substancji niebezpiecznych (RoHS)

Produkt SPACEWALKER PTE. LTD. wraz z częściami (kable, przewody itp.) spełnia wymagania normy 2011/65/UE, aneks II, w sprawie ograniczenia wykorzystania niektórych substancji niebezpiecznych w urządzeniach elektrycznych i elektronicznych oraz poprawki w postaci dyrektywy (UE) 2015/863.

Deklaracja zgodności UE



Niniejsze urządzenie spełnia wymogi UE dotyczące ograniczenia ekspozycji ogółu społeczeństwa na pola elektromagnetyczne w celu ochrony zdrowia.

Niniejszym firma SPACEWALKER PTE. LTD. oświadcza, że urządzenie radiowe typu [EasyRide 20-E], [EasyRide 20-D] i [EasyRide 20-S] jest zgodne z dyrektywą 2014/53/UE i 2006/42/KE. Pełny tekst deklaracji zgodności UE jest dostępny na następującej stronie internetowej: www.naveetech.com

Deklaracja zgodności UE

Informacje na temat recyklingu akumulatorów w Unii Europejskiej



Akumulatory i opakowania akumulatorów są oznakowane zgodnie z dyrektywą europejską 2006/66/WE oraz poprawką 2013/56/UE, dotyczącymi baterii i akumulatorów oraz zużytych baterii i akumulatorów.

Dyrektywa ta określa ramy prawne dotyczące zwrotu i recyklingu zużytych baterii i akumulatorów, obowiązujące w całej Unii Europejskiej. Etykieta ta jest umieszczana na różnych bateriach/akumulatorach w celu wskazania, że zgodnie z niniejszą dyrektywą po zakończeniu eksploatacji nie powinny być wyrzucane, tylko przekazywane do odpowiedniego punktu.

Zgodnie z dyrektywą europejską 2006/66/WE oraz poprawką 2013/56/UE baterie i akumulatory są oznakowane etykietami w celu wskazania, że powinny być zbierane oddzielnie i poddawane recyklingowi po zakończeniu eksploatacji. Etykieta na baterii/akumulatorze może również zawierać symbol chemiczny użytego metalu (Pb — ołów, Hg — rtęć i Cd — kadm). Użytkownicy baterii i akumulatorów nie mogą ich wyrzucać razem z niesortowanymi odpadami komunalnymi. Są zobowiązani do korzystania ze specjalnych punktów zbiórki baterii i akumulatorów, przeznaczonych dla klientów (dotyczy to zwrotu, recyklingu i utylizacji). Takie postępowanie pozwala zminimalizować negatywny wpływ baterii i akumulatorów na środowisko oraz zdrowie ludzi w związku z potencjalną obecnością substancji niebezpiecznych.

Przed przekazaniem sprzętu elektrycznego i elektronicznego (EEE) do zbiórki lub punktu zbierania odpadów końcowy użytkownik sprzętu zawierającego baterie i/lub akumulatory musi usunąć te baterie i akumulatory i oddać je do odpowiedniego punktu zbiórki.

Dyrektywa w sprawie zużytego sprzętu elektrycznego i elektronicznego (WEEE)



Wszystkie produkty oznaczone tym symbolem są uznane za odpady sprzętu elektrycznego i elektronicznego (WEEE zgodnie z Dyrektywą 2012/19/UE) i nie mogą być wyrzucane po zakończeniu okresu użytkowania wraz z innymi odpadami. W celu ochrony zdrowia ludzi oraz środowiska naturalnego należy przekazać zużyty sprzęt do wyznaczonego punktu utylizacji wyznaczonego przez instytucje rządowe lub lokalne.

Prawidłowe usunięcie zużytego produktu pomaga w zapobieganiu potencjalnym negatywnym skutkom oddziaływania na środowisko naturalne i zdrowie ludzi. Więcej informacji można uzyskać w urzędzie lokalnym lub od instalatora.

Ostrzeżenie dotyczące bezpieczeństwa



Zagrożenie!
Przed użyciem przeczytać instrukcję obsługi.



OSTRZEŻENIE!
Przeczytać uważnie i zachować na przyszłość.



UWAGA
Gorąca powierzchnia



Nie wystawiać na działanie wilgoci



Światła



Zasilacz impulsowy wyposażony w izolowany transformator z zabezpieczeniem przeciwzwarceniowym



Zasilacz impulsowy



Miniaturowa wkładka bezpiecznikowa z opóźnieniem czasowym, gdzie X jest symbolem charakterystyki czasowo-prądowej zgodnie z normą IEC 60127



OSTRZEŻENIE!
Tylko do użytku wewnętrznego (dla ładowarki).



OSTRZEŻENIE
Urządzenie klasy II



UWAGA
Ostre krawędzie



Ładowarka przeznaczona jest do użytku na wysokościach nieprzekraczających 5000 m.



Kierunkowskazy



Prąd stały



Prąd przemienny



Biegunowość wyjścia ładowarki, środek dodatni

Ładowarka do akumulatora

OSTRZEŻENIE

1. Ładowarka jest przeznaczona wyłącznie do użytku w pomieszczeniach. Nie wolno jej narażać na działanie deszczu lub śniegu.
2. Nie wolno używać baterii bez możliwości ładowania, ponieważ mogą się one przegrzać i uszkodzić.
3. Niewłaściwe użycie akumulatorów innego typu może spowodować ich wybuch, a w konsekwencji obrażenia ciała i szkody na mieniu.
4. Nie wolno spalać, demontować ani zwracać akumulatorów.
5. Znaczny spadek wydajności akumulatora oznacza, że należy go wymienić.
6. Nieużywana ładowarkę należy przechowywać w chłodnym i suchym miejscu.
7. Przed wykonaniem lub przerwaniem połączeń z akumulatorem należy odłączyć zasilanie.
8. Gazy wybuchowe. Należy zapobiegać powstawaniu płomieni i iskier. Podczas ładowania należy zapewnić odpowiednią wentylację.
9. Podczas ładowania akumulator musi być umieszczony w dobrze wentylowanym pomieszczeniu.
10. Urządzenia elektryczne należy przechowywać w miejscu niedostępnym dla dzieci i osób o ograniczonych możliwościach umysłowych. Nie należy umożliwiać im korzystania z produktu bez nadzoru.
11. To urządzenie nie jest przeznaczone do użytku przez osoby (w tym dzieci) o ograniczonych zdolnościach fizycznych, sensorycznych lub umysłowych, lub nieposiadające doświadczenia i wiedzy, chyba że są one nadzorowane lub zostały poinstruowane w zakresie korzystania z urządzenia przez osobę odpowiedzialną za ich bezpieczeństwo.
12. To urządzenie może być używane przez dzieci w wieku od 8 lat i starsze oraz osoby o ograniczonych zdolnościach fizycznych, sensorycznych lub umysłowych lub osoby nieposiadające doświadczenia i wiedzy, jeśli są one nadzorowane lub zostały poinstruowane w zakresie bezpiecznego korzystania z urządzenia i rozumieją związane z tym zagrożenia. Dzieciom nie wolno bawić się urządzeniem. Czyszczenie i konserwacja nie mogą być wykonywane przez dzieci bez nadzoru.
13. Zewnętrzny elastyczny przewód lub przewód tego transformatora nie może zostać wymieniony; jeśli przewód ulegnie uszkodzeniu, transformator należy zezłomować.
14. Jeśli przewód zasilający ulegnie uszkodzeniu, należy go wymienić na specjalny przewód lub zespół dostępny u producenta lub jego przedstawiciela serwisowego.

Instrukcja ładowania

1. Podłącz ładowarkę bezpośrednio do źródła zasilania. Nie wolno używać przedłużaczy.
2. Ładowarka może być używana wyłącznie do ładowania akumulatorów litowo-jonowych.
3. Należy unikać odwrotnego ładowania.
4. Ładowarki nie są przeznaczone do ładowania akumulatorów samochodowych.

 odłączana część zasilacza

Akumulator

OSTRZEŻENIE

1. Nie wolno demontować, otwierać ani rozdrabniać ogniw akumulatorowych ani akumulatorów.
2. Akumulatory należy przechowywać w miejscu niedostępnym dla dzieci. Korzystanie z akumulatorów przez dzieci powinno odbywać się pod nadzorem. W szczególności należy przechowywać małe baterie w miejscu niedostępnym dla małych dzieci.
3. W przypadku poknięcia ognia lub baterii należy natychmiast zasięgnąć porady lekarza.
4. Nie wolno narażać ognia ani baterii na działanie ciepła lub ognia. Unikać przechowywania w miejscu narażonym na bezpośrednie działanie promieni słonecznych.
5. Nie wolno zwiierać ognia ani akumulatorów. Nie należy przechowywać ognia lub baterii w sposób nieuporządkowany w pudełku lub szufladzie, gdzie mogą spowodować zwarcie lub zostać zwarte przez inne metalowe przedmioty.
6. Nie należy wyjmować ognia ani baterii z oryginalnego opakowania, dopóki nie będą potrzebne.
7. Nie należy narażać ognia ani baterii na wstrząsy mechaniczne.
8. W przypadku wycieku płynu z ognia nie dopuścić do kontaktu płynu ze skórą lub oczami. Jeśli dojdzie do kontaktu, przemyć dotknięte miejsce dużą ilością wody i zasięgnąć porady lekarza.
9. Nie należy używać ładowarki innej niż ta, która została dostarczona wraz z urządzeniem.
10. Należy przestrzegać oznaczeń plus (+) i minus (-) na ogniwie, akumulatorze i sprężce oraz zapewnić prawidłowe użytkowanie.
11. Nie należy używać ognia ani baterii, które nie są przeznaczone do użytku z tym urządzeniem.
12. Nie należy równocześnie umieszczać w urządzeniu ognia różnych producentów, o różnej pojemności, rozmiarze lub typie.
13. Należy zawsze kupować baterie zalecane przez producenta urządzenia.
14. Ogniwa i baterie należy utrzymywać w stanie czystym i suchym.
15. W przypadku zabrudzenia ognia lub zaciski akumulatora należy przetrzeć czystą, suchą ściereczką.
16. Ogniwa akumulatorowe i akumulatory należy naładować przed użyciem. Zawsze używaj odpowiedniej ładowarki i zapoznaj się z instrukcjami producenta lub instrukcją obsługi sprzętu, aby uzyskać prawidłowe instrukcje ładowania.
17. Nie należy pozostawiać akumulatora przez dłuższy czas w ładowarce, gdy nie jest używany.
18. Po dłuższym okresie przechowywania może być konieczne kilkukrotne naładowanie i rozładowanie ognia lub akumulatorów w celu uzyskania maksymalnej wydajności.
19. Zachowaj oryginalną literaturę produktu do wykorzystania w przyszłości.
20. Ogień lub baterii należy używać wyłącznie w zastosowaniach, do których zostały przeznaczone.
21. Jeśli to możliwe, należy wyjmować akumulator z urządzenia, gdy nie jest ono używane.
22. Dokonywać prawidłowej utylizacji.

Manufacturer's Limited Warranty Card

This is the manufacturer's limited warranty ("Limited Warranty") for all Navee Electric Scooters for consumers. This Limited Warranty describes the service available to you in the event your Product requires warranty service, and you may have additional protections under your local laws.

THIS WARRANTY GIVES YOU SPECIFIC LEGAL RIGHTS, AND YOU MAY ALSO HAVE RIGHTS WHICH VARY FROM COUNTRY TO COUNTRY AND STATE TO STATE.

This sheet and the original purchase receipt for the purchase of your Product are the documents defining the Limited Warranty. Please retain this document and the original purchase receipt to preserve your warranty service.

When purchasing the product, we recommend that you clearly fill in the following information and affix the sales seal to protect your legitimate rights and interests;

Product Purchase Information	Customer Name		E-mail	
	Contact Number		Purchase Channel	
	Product Model		Purchase Date	
	Product SN		Invoice Number	



Manufacturer's Limited Warranty Card

Contact Us

✉ Service Email: service@navee.tech

For more information about products and services, please visit the NAVEE official website: <https://service.naveetech.com/> You can view product technical support videos and find local service center & detail warranty policy through the website.

During the after-sales service process, customers may need to provide this warranty card, proof of purchase and relevant information of the consignee. NAVEE will ensure that the relevant information provided by the customer is only used to provide services to the customer.



Carte de garantie limitée du fabricant

Ceci est la garantie limitée du fabricant (« garantie limitée ») pour tous les scooters électriques Navee destinés aux consommateurs. Cette garantie limitée décrit le service disponible dans le cas où votre produit nécessite un service de garantie, et vous pouvez bénéficier de protections supplémentaires en vertu de vos lois locales.

CETTE GARANTIE VOUS DONNE DES DROITS LÉGAUX SPÉCIFIQUES, ET VOUS POUVEZ ÉGALEMENT AVOIR DES DROITS QUI VARIENT D'UN PAYS À L'AUTRE ET D'UN ÉTAT À L'AUTRE.

Cette feuille et le reçu d'achat original de votre produit sont les documents définissant la garantie limitée. Veuillez conserver ce document et le reçu d'achat original pour préserver votre service de garantie.

Lors de l'achat du produit, nous vous recommandons de remplir clairement les informations suivantes et d'apposer le sceau de vente afin de protéger vos droits et intérêts légitimes ;

Informations sur l'achat du produit	Nom du client		Courriel	
	Numéro de contact		Canal d'achat	
	Modèle du produit		Date d'achat	
	Numéro de série du produit		Numéro de facture	



Carte de garantie limitée du fabricant

Nous contacter

 Courriel de service : service@navee.tech

Pour plus d'informations sur les produits et les services, veuillez visiter le site officiel de NAVEE : <https://service.naveetech.com/> . Vous pouvez visionner des vidéos d'assistance technique sur les produits, trouver un centre de service local et une politique de garantie détaillée sur le site web.

Au cours du processus de service après-vente, les clients peuvent être amenés à fournir cette carte de garantie, une preuve d'achat et des informations pertinentes sur le destinataire. NAVEE veillera à ce que les informations pertinentes fournies par le client ne soient utilisées que pour fournir des services au client.



Eingeschränkte Herstellergarantiekarte

Dies ist die eingeschränkte Herstellergarantie („Eingeschränkte Garantie“) für alle Navee Elektro-Scooter für Verbraucher. Diese eingeschränkte Garantie beschreibt den Service, der Ihnen zur Verfügung steht, wenn Ihr Produkt eine Garantieleistung benötigt, und Sie haben möglicherweise zusätzliche Schutzmaßnahmen gemäß Ihrer lokalen Gesetze.

DIESE GARANTIE GIBT IHNEN BESTIMMTE GESETZLICHE RECHTE, UND SIE KÖNNEN AUCH RECHTE HABEN, DIE VON LAND ZU LAND UND VON STAAT ZU STAAT VARIIEREN.

Dieses Blatt und der Originalkaufbeleg für den Kauf Ihres Produkts sind die Dokumente, die die beschränkte Garantie definieren. Bitte bewahren Sie dieses Dokument und den Originalkaufbeleg auf, um Ihre Garantieleistungen zu erhalten.

Wir empfehlen Ihnen, beim Kauf des Produkts die folgenden Informationen deutlich auszufüllen und das Verkaufssiegel anzubringen, um Ihre legitimen Rechte und Interessen zu schützen;

Informationen zum Produktkauf	Name des Kunden		E-Mail	
	Kontaktnummer		Kauf-Kanal	
	Produkt-Modell		Datum des Kaufs	
	Produkt SN		Rechnungsnummer	



Eingeschränkte Herstellergarantiekarte

Kontakt

✉ Kundendienst-E-Mail: service@navee.tech

Für weitere Informationen über Produkte und Dienstleistungen besuchen Sie bitte die offizielle Website von NAVEE: <https://service.naveetech.com/>. Auf der Website können Sie Videos zur technischen Unterstützung von Produkten ansehen, lokale Servicezentren finden und detaillierte Garantiebestimmungen einsehen.

Während des Kundendienstes müssen die Kunden diese Garantiekarte, den Kaufnachweis und relevante Informationen des Empfängers vorlegen. NAVEE stellt sicher, dass die vom Kunden zur Verfügung gestellten relevanten Informationen nur zur Erbringung von Dienstleistungen für den Kunden verwendet werden.



Cartão de Garantia Limitada do Fabricante

Esta é a garantia limitada do fabricante (“Garantia Limitada”) para todos os Patinetes Elétricos Navee para consumidores. Esta Garantia Limitada descreve o serviço disponível para você no caso de seu Produto precisar de serviço de garantia, e você pode ter proteções adicionais sob as leis locais.

ESTA GARANTIA LHE DÁ DIREITOS LEGAIS ESPECÍFICOS, E VOCÊ TAMBÉM PODE TER DIREITOS QUE VARIAM DE PAÍS PARA PAÍS E DE ESTADO PARA ESTADO.

Esta folha e o recibo de compra original da compra do seu Produto são os documentos que definem a Garantia Limitada. Por favor, mantenha este documento e o recibo de compra original para preservar seu serviço de garantia.

Ao comprar o produto, recomendamos que você preencha claramente as seguintes informações e afixe o selo de venda para proteger seus direitos e interesses legítimos;

Informações da Compra do Produto	Nome do Cliente		E-mail	
	Número de Contato		Canal de Compra	
	Modelo do Produto		Data da Compra	
	SN do Produto		Número da Fatura	



Cartão de Garantia Limitada do Fabricante

Entre em Contato Conosco

 E-mail de Serviço: service@navee.tech

Para mais informações sobre produtos e serviços, visite o site oficial da NAVEE: <https://service.naveetech.com/> Você pode visualizar vídeos de suporte técnico do produto e encontrar o centro de serviço local e a política de garantia detalhada através do site.

Durante o processo de serviço pós-venda, os clientes podem precisar fornecer este cartão de garantia, prova de compra e informações relevantes do destinatário. A NAVEE garantirá que as informações relevantes fornecidas pelo cliente sejam usadas apenas para fornecer serviços ao cliente.



Karta ograniczonej gwarancji producenta

Jest to ograniczona gwarancja producenta („ograniczona gwarancja”) na wszystkie skutery elektryczne Navee dla konsumentów. Niniejsza ograniczona gwarancja opisuje usługi dostępne dla użytkownika w przypadku, gdy Produkt wymaga serwisu gwarancyjnego, a użytkownik może mieć dodatkowe zabezpieczenia wynikające z lokalnych przepisów zakupu. NINIEJSZA GWARANCJA DAJE UŻYTKOWNIKOWI OKREŚLONE PRAWA, KTÓRE MOGĄ SIĘ RÓŻNIĆ W ZALEŻNOŚCI OD KRAJU I STANU.

NINIEJSZA GWARANCJA DAJE UŻYTKOWNIKOWI OKREŚLONE PRAWA, KTÓRE MOGĄ SIĘ RÓŻNIĆ W ZALEŻNOŚCI OD KRAJU I STANU.

Niniejsza karta oraz oryginalny dowód zakupu Produktu stanowią dokumenty określające Ograniczoną Gwarancję. Należy zachować niniejszy dokument oraz oryginalny dowód zakupu, aby zachować prawo do korzystania z usług gwarancyjnych.

Przy zakupie produktu zalecamy wyraźne wypełnienie poniższych informacji i umieszczenie pieczęci sprzedawcy w celu ochrony swoich uzasadnionych praw i interesów;

Informacje o zakupie produktu	Imię i nazwisko klienta		E-mail	
	Numer kontaktowy		Kanał zakupu	
	Model produktu		Data zakupu	
	SN produktu		Numer faktury	



Karta ograniczonej gwarancji producenta

Kontakt

✉ E-mail serwisowy: service@navee.tech

Więcej informacji na temat produktów i usług można znaleźć na oficjalnej stronie internetowej NAVEE: <https://service.naveetech.com/>. Za pośrednictwem strony internetowej można obejrzeć filmy wideo dotyczące pomocy technicznej dla produktów oraz znaleźć lokalne centrum serwisowe i szczegółowe zasady gwarancji.

Podczas procesu obsługi posprzedażowej klienci mogą być zobowiązani do dostarczenia niniejszej karty gwarancyjnej, dowodu zakupu i odpowiednich informacji o odbiorcy. NAVEE zapewni, że odpowiednie informacje dostarczone przez klienta zostaną wykorzystane wyłącznie w celu świadczenia usług na rzecz klienta.





NAVEE Electric Scooter

EasyRide 20

FI Tärkeitä tietoja

SE Viktig information

DK Vigtig information
Önemli Bilgi

NO Viktig informasjon

ITÄRKEÄÄ! Lue huolellisesti ennen tuotteen käyttöä ja säilytä se myöhempää käyttöä varten. Yksityiskohtainen sähköinen käyttöopas on osoitteessa www.naveetech.com

- **T**ätä laitetta ei ole tarkoitettu käytettäväksi henkilöiden toimesta (mukaan lukien lapset) joilla on vähentynyttä fyysistä, aistillista tai henkistä kapasiteettia, tai joilta puuttuu kokemuspohjaa ja tietoja, ellei näille ole annettu ohjeistusta tai ole valvottuja koskien laitteiden käyttöä ja henkilön toimesta joka vastaa näiden turvallisuudesta.

Huolehdi siitä, että lapset eivät pääse leikkimään laitteella.

- **T**ämä laite on tarkoitettu yli 8-vuotiaille kuljettajille ja henkilöille, joilla on heikentyneet fyysiset, sensoriset tai psyykkiset kyvyt tai joilla ei ole kokemusta tai tietoa, mikäli heitä on valvottu tai opastettu laitteen turvallisessa käytössä ja he ymmärtävät siihen liittyvät vaarat.

Lasten ei tule leikkiä laitteen kanssa. Puhdistusta ja käyttäjän suorittamaa huoltoa ei pidä suorittaa valvomattomana lasten toimesta.

Laitetta saa käyttää vain laitteen mukana toimitetulla virtalähteellä.

- **E**nnen ajamista on aina käytettävä kypärää, käsi- ja rannesuojia, polvisuojia, kynnärpääsuojia ja muita suojavarusteita.

- **S**kootteria saa käyttää vain yksi henkilö. Kenkien käyttö vaaditaan aina. **Ä**lä muuta ajoneuvon käyttöä.

Tämä tuote on tarkoitettu vain henkilökohtaiseen ajoon, eikä sitä ole tarkoitettu akrobaattiseen käyttöön.

- **T**uotetta suositellaan yli 16-vuotiaille ja alle 50-vuotiaille kuljettajille. **H**enkilöt, jotka eivät sovellu ajamaan tällä tuotteella, ovat: (1) alkoholin tai huumeiden vaikutuksen alaisena olevat henkilöt, (2) henkilöt, jotka eivät kykene rassittavaan fyysiseen toimintaan terveydentilan tai fyysisen tilan vuoksi, (3) henkilöt, jotka eivät kykene ylläpitämään tasapainoaan tai jotka eivät kykene ylläpitämään tasapainoaan heikentyneiden motoristen taitojen vuoksi, (4) henkilöt, joiden koko ylittää painorajan, (5) raskaana olevat naiset, (6) henkilöt, joilla on näkö- ja/tai kuulovamma.

- **N**oudata paikallisia lakeja ja määräyksiä, kun ajat tällä tuotteella. **Ä**lä aja siellä, missä paikalliset lait kieltävät sen.

- **A**jaessasi maissa ja alueilla, joissa ei ole sähkömopoja koskevia kansallisia standardeja ja määräyksiä, noudata ehdottomasti tässä käyttöoppaassa kuljettajille asetettuja turvallisuusvaatimuksia. SPACEWALKER PTE. LTD. ei kanna suoraa vastuuta eikä yhteisvastuuta kaikista omaisuus- ja henkilövahingoista, onnettomuuksista, oikeusriidoista ja kaikista muista haitallisista tapahtumista, jotka aiheuttavat eturistiriitoja, jotka johtuvat käyttöohjeiden vastaisesta käyttäytymisestä.

- **Ä**lä aja liikenneväylillä tai asuinalueilla, joilla sekä ajoneuvoilla ajo että jalankulku ovat sallittuja. Kun kuljetaan paikan läpi, joka on tarkoitettu jalankulkijoille, joilla on oikeus etuajo-oikeuteen, kuten jalkakäytävään, siirry kävelemään skootterin kanssa.

- **Ä**lä valitse ensimmäiselle ajokerralle paikkoja, joissa voi olla lapsia, jalankulkijoita, lemmikkejä, ajoneuvoja, polkupyöriä tai muita esteitä ja mahdollisia vaaroja.

- **T**ämän tuotteen käyttöön vaadittaviin valmisteluihin kuuluvat seuraavat: varmista, että ohjausjärjestelmä on säädetty oikein, että kaikki liitetyt lisävarusteet (kuten taittojärjestelmä) on kiristetty kunnolla ja että ne eivät ole

vahingoittuneet ja että jarrut ja pyörät ovat hyvässä kunnossa.

- Suorita sähköskootterin perustarkastus ennen jokaista ajokertaa. Jos ilmenee epänormaaleja olosuhteita, kuten irtonaisia osia, akun tyhjenemishälytyksiä, tyhjiä renkaita tai renkaiden liiallista kulumista, outoja ääniä, toimintahäiriöitä ja muita epänormaaleja olosuhteita, lopeta ajaminen välittömästi ja pyydä ammattiapua.
- Tämän tuotteen käyttöön vaadittaviin valmisteluihin kuuluvat seuraavat: varmista, että ohjausjärjestelmä on säädetty oikein, että kaikki liitetyt lisävarusteet (kuten taittojärjestelmä) on kiristetty kunnolla ja että ne eivät ole vahingoittuneet ja että jarrut ja pyörät ovat hyvässä kunnossa.
- Voidaksesi ajaa turvallisesti sinun kyettävä näkemään selvästi, mitä on edessäsi ja sinun on oltava selvästi muiden nähtävissä.
- Älä aja huonolla säällä, huonolla näkyvyydellä tai voimakkaan fyysisen rasituksen jälkeen.
- Laita ajovalot päälle ja hidasta nopeutta, kun ajat pimeällä.
- Varmista, että tukijalka on tasaisella alustalla ja että tukijalka on riittävän vakaa tuottamaan seisonnan yksinään, ennen kuin jätät sen.
- Tämä sähköskootteri on vapaa-ajan laite. Kun ajoneuvo saapuu yleiselle alueelle, sitä pidetään kuitenkin kulkuvälineenä, ja siihen kohdistuu kaikkien kulkuvälineiden mahdollisia turvallisuusriskejä. Tämän käyttöoppaan ohjeiden tarkka noudattaminen suojaa sinua ja muita mahdollisimman hyvin.
- Käyttäjän on tarkistettava käyttörajat paikallisten määräysten mukaisesti. Aja skootterilla paikallisten määräysten ja lakien sallimilla teillä tai alueilla ja pysäköi se sallituille alueille. Skootterin enimmäisnopeudeksi on rajoitettu 25 km/h. Jos paikallisissa määräyksissä ja laeissa on erilaisia säännöksiä enimmäisnopeudesta, paikalliset määräykset ja lait ovat ensisijaisia. Kunnioita ja noudata liikenneturvallisuus- ja ajoneuvosääntöjä.
- Kunnioita jalankulkijoiden etuoikeutta. Yritä olla säikäyttämättä heitä ajon aikana, etenkin lapsia. Kun ajat jalankulkijoiden takaa, soita kelloa varoittaaksesi heitä ja hidasta skootterisi nopeutta, jotta voit ohittaa heidät vasemmalta puolelta, ja pysy oikealla alhaisella nopeudella ajaessasi heidän ohitse (koskee maita, joissa ajoneuvot ajavat oikealla). Kun ajat jalankulkijoiden ohi, ylläpidä alhaisinta nopeutta tai ajoneuvon enimmäisetäisyyttä.
- Ennakoi joka tapauksessa liikeratasi ja nopeutesi kunnioittam samalla tien ja jalkakäytävän sääntöjä sekä kaikkein haavoittuvimpia tiellä liikkujia. Ilmoita läsnäolostasi lähestyessäsi jalankulkijaa tai pyöräilijää, mikäli sinua ei nähdä tai kuulla. Ylitä suojattu kulkuväylä jätin kävellessäsi. Ylitä suojattu kulkuväylä jätin kävellessäsi. Vältä vilkkaasti liikennöityjä tai ruuhkaisia alueita.
- Suurella nopeudella ajo tai nopeus, joka ei ole sopiva tai riittävä tilanteeseen näiden (huonot sääolosuhteet, huono ajopinta tai vastaava), voi johtaa mahdolliseen vakauden tai hallinnan menettämiseen. Riskien vähentämiseksi sinun on noudatettava kaikkia tämän käyttöoppaan ohjeita. Ole varovainen asentaessasi ja purkaessasi tuotetta, se voi pudota ja aiheuttaa vammoja.
- Kaupungin liikenteessä on monia esteitä, kuten reunakiviä tai portaita, jotka on ylitettävä. On suositeltavaa välttää hypyitä esteiden kohdalla. On tärkeää ennakoida ja mukauttaa liikerataa ja nopeutta jalankulkijan nopeuteen ennen esteiden ylittämistä. On myös suositeltavaa nousta ulos ajoneuvosta, kun esteet muuttavat vaarallisiksi niiden muodon, korkeuden tai liukkauden johdosta.
- Älä lainaa skootteria henkilölle, joka ei tunne sen toimintaa. Ennen kuin lainaat sähköskootterin muille, varmista, että kuljettaja on lukenut tämän käyttöohjeen ja katsonut opetusvideon ja ymmärtänyt perustoinnin. Muistuta ratsastajia käyttämään suojaimia oikein ratsastajien turvallisuuden varmistamiseksi.
- Ota yhteyttä myyjään sopivien koulutusorganisaatioiden osalta.
- Pidä joka tapauksessa huolta itsestäsi ja muista.

- Ohjaustankoon kiinnitetty kuorma vaikuttaa ajoneuvon vakauteen.
- Älä koske jarrujärjestelmään, sen terävät reunat saattavat aiheuttaa vammoja. Jarru voi kuumentua käytössä. Älä koske käytön jälkeen.
- A-painotettu päästöäänenpainetaso on alle 70 dB(A).
- Paremmen ajokokemuksen saamiseksi on suositeltavaa huoltaa tuote säännöllisesti.
- Poista käytön aiheuttamat terävät reunat.
- Lisävarusteita ja muita lisävarusteita, joita valmistaja ei ole hyväksynyt, ei saa käyttää.
- Ajoneuvon säännöllinen huolto on turvallisuustekijä.
- Itsekiinnittävät mutterit ja muut itsekiinnittävät kiinnikkeet voivat menettää tehoaan ja ne on ehkä kiristettävä uudelleen.
- Tarkista säännöllisesti eri ruuviliitosten, erityisesti pyörän akselien, taittumisjärjestelmän, ohjausjärjestelmän ja jarruakselin kiristys.
- Älä muuta tai muokkaa ajoneuvoa, mukaan lukien ohjausputkea ja -holkkia, vartta, taittomekanismia ja takajarrua.
- Älä tee mitään muutoksia, joita ei ole mainittu ohjeissa.
- Varmista, että skootteri on sammutettu kuljetuksen ajaksi ja että se säilytetään alkuperäisissä pakkaussissa, jos mahdollista.
- Vääränlaisen käytön aiheuttamien vahinkojen, kuten sähköiskun ja tulipalon, välttämiseksi lue ohjeet huolellisesti ennen käyttöä ja säilytä ne huolellisesti myöhempää käyttöä varten.
- Käytä tätä tuotetta käyttöoppaan ohjeiden mukaisesti. Käyttäjät ovat vastuussa kaikista tämän tuotteen epäasianmukaisesta käytöstä aiheutuvista vahingoista.
- Latauksen aikana sammuta ajoneuvo tai siirrä se tiettyyn ei-ajamisen tilaan.
- Älä lataa, jos latausportti tai latauskaapeli on märkä. Lue tämä käyttöohje huolellisesti ennen lataamista.
- Älä lataa skootteria yli 40 ° C:n tai alle 0 ° C:n lämpötilassa.
- Pidä turvallinen etäisyys, kun skootterilla ajetaan tasaisella tiellä / ilman kaltevuutta. Jarrutusmatka pitenee märällä säällä.
- Tämän tuotteen iskunvaimennus ei ole säädettävissä (tarvittaessa).
- Laitetta ei ole tarkoitettu käytettäväksi yli 2000 metrin korkeudessa merenpinnasta.
- Laite on irrotettava virtalähteestään huollon ja osien vaihdon ajaksi.
- Tämän muuntajan (laturin) ulkoista taipuisaa kaapelia tai johtoa ei voi vaihtaa; jos johto vaurioituu, muuntaja (laturi) on romutettava.
- Jos tämän muuntajan ulkoinen taipuisa kaapeli tai johto on vaurioitunut, valmistajan tai tämän huoltoedustajan tai vastaavan pätevyyden omaavan henkilön on vaihdettava se vaaran välttämiseksi.
- Vaarojen välttämiseksi vahingoittuneen virtajohdon saa vaihtaa uuteen vain valmistaja, valmistajan valtuuttama huoltoedustaja tai muu vastaavalla tavalla pätevitetty henkilö.
- Tämä tuote sisältää paristoja, jotka voidaan vaihtaa vain pätevien tekniikoiden tai huoltopalvelun toimesta.
- Tämä laite sisältää akkuja, joita vain ammattitaitoiset henkilöt voivat vaihtaa.

VAROITUS: Käytä akun lataamiseen vain tämän laitteen

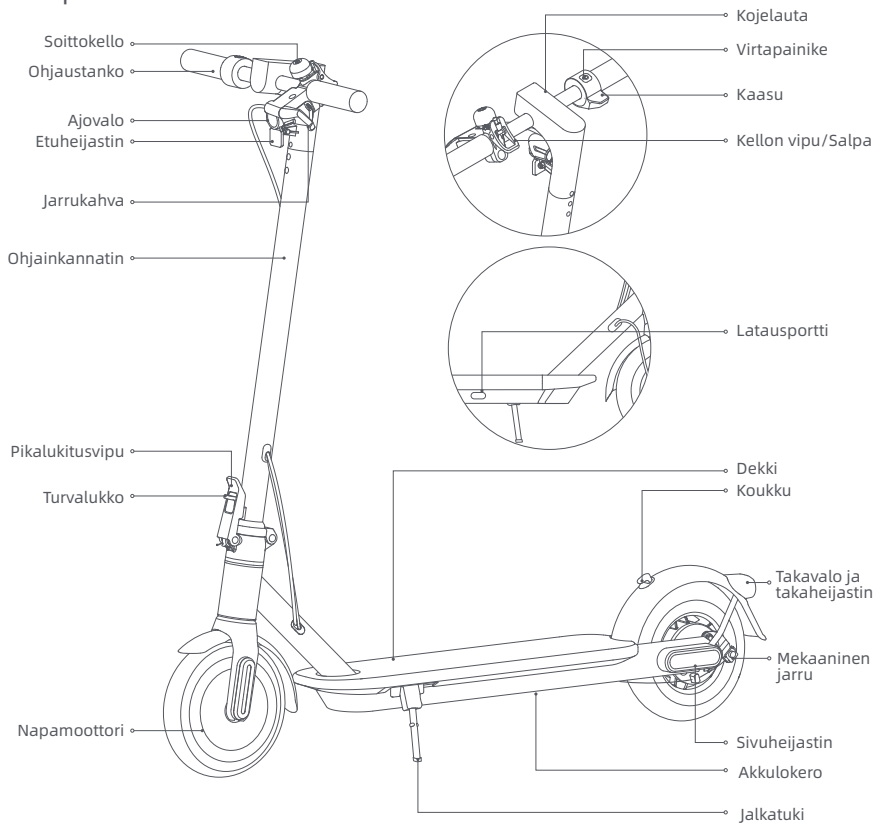
mukana toimitettua irrotettavaa syöttöyksikköä. Älä käytä minkään muun tuotteen akkulaturia. Pidä latauksen aikana turvallinen etäisyys ympäröivistä palavista aineista.

- **VAROITUS:** Älä käytä kolmannen osapuolen akkua tai akkulaturia. Käytä vain FY0422521500E-syöttöyksikön kanssa.
- **VAROITUS!** Pidä muovinen suojus poissa lasten ulottuvilta tukehtumisen välttämiseksi.
- **VAROITUS!** Älä koskaan käytä tuotetta vesilähteen lähellä.
- **VAROITUS!** Lopeta tuotteen käyttö, jos se on vaurioitunut.
- **VAROITUS!** Kuten mikä tahansa mekaaninen osa, ajoneuvo on alttiina suurille rasituksille ja kulumiselle. Eri materiaalit ja osat voivat reagoida eri tavoin kulumiseen tai väsymiseen. Jos komponentin odotettu käyttöikä on ylittynyt, se voi rikkoutua äkillisesti, jolloin käyttäjälle voi aiheutua vammoja. Halkeamat, naarmut ja värimuutokset alueilla, joihin kohdistuu suuria rasituksia, viittaavat siihen, että osan käyttöikä on ylittynyt ja ota yhteys valtuutettuun tai erikoistuneeseen korjaamoon.

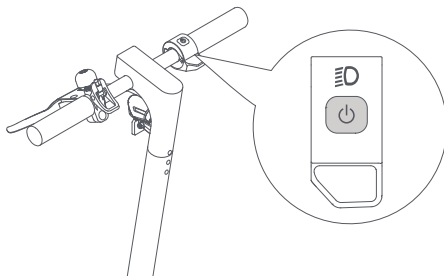
Varo käsien puristusta ja puristuskohtien vaaraa seuraavissa paikoissa käytön aikana:

1. Ohjaustangon ja varren välissä asennettaessa ohjaustankoa.
2. Renkaiden avauskohta.
3. Etulokasuojan ja kannen välissä.
4. Pikalukitusvivun ja pikalukitusvivun lukon välissä sekä taittonivelen ja varren välissä, avattaessa tai suljettaessa.
5. Lokasuojien ja renkaan välissä.

Sähköpotkulauta

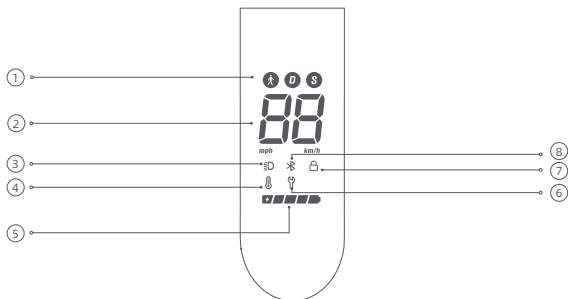



Virtapainike



Virtapainike: Kytke skootteri päälle painamalla painiketta  ja pidä painiketta  painettuna 2-3 sekuntia skootterin sammuttamiseksi. Kun skootteri on päällä, paina kerran kytkeäksesi ajovalot ja takavalot päälle/pois ja paina kahdesti vaihtaaksesi ajotilaa.

Kojelauta



- 1 Ajotilat:  on kävelytila ja sen enimmäisnopeus on 6 km/h. D tarkoittaa vakiotilaa. S tarkoittaa urheilutilaa.
- 2 Nopeusmittari: Se näyttää nykyisen nopeuden, kun skootteri toimii. Kun skootteri latautuu, se näyttää akun nykyisen varaustason.

③ Valo: Kun skootteri on päällä, paina virtapainiketta kytkeäksesi ajovalot ja takavalot päälle/pois. Vaihtoehtoisesti voit ottaa automaattisen valon tunnistustoiminnon käyttöön APP:n välityksellä. Ajon aikana ajovalot ja takavalot kytkeytyvät päälle/pois automaattisesti ympäristön valon kirkkauden mukaan.

Huomautus: Kun olet aktivoinut automaattisen valontunnistustoiminnon, jos kytket valon manuaalisesti päälle tai pois päältä, tämä toiminto kytkeytyy tilapäisesti pois päältä. Sinun on käynnistettävä sähköskootteri uudelleen, jotta se tulee voimaan.

④ Lämpötilavaroitus: Jos akun lämpötila on liian korkea tai liian alhainen, lämpömittarin kuvake palaa. Käytä tai lataa skootteria, kun akun lämpötila on palautunut normaalille toiminta-alueelle.

⑤ Akun varaustaso: Akun varaustaso ilmoitetaan viidellä palkilla, joista kukin vastaa noin 20 % täydestä akusta.

⑥ Virheilmoitus: Kun jakoavaimen kuvake näkyy punaisena, se tarkoittaa, että skootterissa on virhe.

⑦ Lukko: Kun kuvake syttyy, se osoittaa, että skootteri on lukittu. Voit lukita/avata skootterin NAVEE -sovelluksella.

⑧ Bluetooth: Bluetooth-kuvake on aina päällä, mikä osoittaa, että skootteri on onnistuneesti yhdistetty mobiililaitteeseen.

3. Huolto ja ylläpito

Puhdistaminen

Varmista puhdistuksen aikana, että skootteri on kytketty pois päältä, latauskaapeli on irrotettu ja kumiläppä on suljettu.

Pyyhi pääkotelo pehmeällä kostealla liinalla, vaikeasti poistettava lika voidaan hangata hammasharjalla. Pyyhi sen jälkeen kaikki alueet kuivalla liinalla.

VAROITUS!

- Älä pese skootteria korkeapaineisella vesisuihkulla.
- Älä puhdistaa skootteria syövyttävällä puhdistusaineella, joka vahingoittaa skootterin ulkoista ja sisäistä rakennetta.

Akku

Lataa aina ennen akun tyhjenemistä akun käyttöiän pidentämiseksi.

Älä ylitä määritettyä lämpötilarajaa ajettaessa, säilytettäessä tai ladattaessa (katso tekniset tiedot). Käyttö-, varastointi- tai latausohjeiden noudattamatta jättäminen voi johtaa akun vaurioitumiseen, latauksen of the scooter. epäonnistumiseen ja takuun raukeamiseen.

Täyteen ladatun skootterin odotusaika on noin 120-180 päivää. Jos sitä ei käytetä pitkään aikaan, se on ladattava 30 päivän välein. Kiinnitä huomiota valmiusaikaan, jottei akku vaurioiduu peruuttamattomasti, mikäli sitä ei ladata.

VAROITUS!

- Älä käytä muiden mallien tai merkkien akkuja, sillä niihin voi liittyä turvallisuusriski.
- Käytä vain alkuperäistä akkulaturia mahdollisen vahingon tai tulipalon välttämiseksi.
- Jos akku on vaurioitunut tai kastunut vedellä, älä lataa tai jatka sen käyttöä.
- Älä irrota akkua. Akun irrottaminen on monimutkaista, ja virheellinen toiminta voi vaikuttaa skootterin toimintaan.

Säilytys

Jos skootteria ei käytetä pitkään aikaan, lataa se täyteen, sammuta se sitten ja säilytä sitä viileässä ja kuivassa paikassa. Lataa skootteri vähintään 2 kuukauden välein akun vaurioitumisen estämiseksi. Varmista, että skootteri on sammutettu kuljetuksen ajaksi ja että se säilytetään alkuperäispakkauksessa, jos mahdollista.

VAROITUS!

- Älä koskaan jätä skootteria kuumaan aurinkoon tai märkään paikkaan pitkäksi aikaa.
- Älä sijoita skootteria syttyvien materiaalien läheisyyteen.
- Tämä tuote sisältää sisäänrakennetun litiumpariston, ja sitä saa kuljettaa vain paikallisten lakien ja määräysten sallimissa puitteissa.

Ympäristölliset ohjeet

Skootteri sisältää ladattavan litiumioniakun, ja näiden akkujen virheellinen hävittäminen aiheuttaa haittaa ympäristölle. Noudata alla olevia ohjeita akkujen poistamiseksi ennen skootterin hävittämistä ja hävitä akut asianmukaisesti:

1. Ennen kuin poistat akun, sammuta virta ja tyhjennä se kokonaan. Revi sitten jalkatyyny irti ja ruuvaa polkimen ja rungon väliset kiinnityspultit irti avataksesi jalkatyynyn.
2. Irrota akkujen liitin ja poista sitten akut. Älä vahingoita akkukoteloä loukkaantumisvaaran välttämiseksi. Älä käytä akkua, jos se on vaurioitunut, jos se haisee oudolta, jos siitä tulee savua tai jos se ylikuumentuu. Pidä vuotava paristo kaukana muista esineistä.
3. Hävitä poistetut paristot ammattimaisessa kierrätyslaitoksessa.

Skootterin huoltoaikataulu (suositeltava):

Skootterin säännöllinen huolto auttaa pitämään skootterin siistinä ja hyvässä kunnossa, välttämään turvallisuusriskejä, minimoimaan rikkoutumiset, hidastamaan skootterin heikkenemistä ja pidentämään skootterin käyttöikä.

Nimike	Huoltokohde	Toiminnot	Kerran kuukaudessa	3 kuukauden välein	500 km / 6 kuukauden välein	1 000 km / 1 vuoden välein	10 000 km / 3 vuoden välein
Renkaat	Renkaan kulutuspinnan kuluminen	Tarkista, onko rengas halkeillut, epämuodostunut, kulunut jne.			√	√	√
Ruuvit	Ohjaustangon kokoonpanon ruuvit	Kiristä ruuvi, joka yhdistää ohjaustankokokoonpanon variasennelmaan (suositeltu vääntömomentti 3,0 ± 0,5 N-m).		√	√	√	√
		Kiristä kiihdytsruuvi (suositeltu vääntömomentti 1,6 ± 0,1 N-m).				√	√
		Kiristä jarruvivun ruuvi (suositeltu vääntömomentti 5,5 ± 0,5 N-m).					√

Nimike	Huoltokohde	Toiminnot	Kerran kuukaudessa	3 kuukauden välein	500 km / 6 kuukauden välein	1 000 km / 1 vuoden välein	10 000 km / 3 vuoden välein
Tehtävät	Jarrun säätö	Varmista ennen säätämistä, että skootteri on sammutettu eikä sitä ladata. Työkalu: 5 mm:n Varmista ennen säätämistä, että skootteri on sammutettu eikä sitä ladata. Kun jarru on liian tiukka, käännä ruuvitangon mutteria työkalulla vastapäivään, jotta jarruvaajerin paljastunut alaosa lyhenee hieman. Kun jarru on liian löysällä, käännä ruuvitangon mutteria työkalulla myötäpäivään, jotta jarruvaajerin paljaasta alaosasta tulee hieman pidempi.			✓	✓	✓
	Lataaminen	Lataa skootteri sopivassa lämpötilassa. Akkulaturin merkkivalo on punainen, kun skootteri latautuu, ja muuttuu vihreäksi, kun skootteri on ladattu täyteen. Ohjauspaneeli näyttää lataustilan samanaikaisesti latauksen aikana.			✓	✓	✓
	Ohjaus	Käännä ohjaustankoa 60° vasemmalle ja oikealle varmistaaksesi, että kääntökulma on oikea ja että ohjauksessa ei ole vastusta eikä jumiutumista.				✓	✓
Tärkeitä komponentteja	Akun kokoonpano	Lataa skootteri täyteen, ennen kuin jätät sen käyttämättä pitkäksi aikaa, ja lataa se 60 päivän välein.					✓

Jos pyörät, jarrupalat ja muut herkäät osat ovat kuluneet tai vaurioituneet ja ne on vaihdettava, ota yhteyttä huoltopalveluun ajoissa.

Jos haluat löytää pätevän huoltoliikkeen, ota meihin yhteyttä osoitteessa service@navee.tech/www.naveeetech.com

4. Tiedot

Tuote	Nimi	NAVEE -sähköpotkulauta		
		Malli	EasyRide 20-E	EasyRide 20-D
Mitat	Ajoneuvo: P x L x K (mm) ^[1]	1093 x 466 x 1098		
	Kokoonlaiton jälkeen: P x L x K (mm)	1091 x 463 x 435		
Nettopaino	Ajoneuvon nettopaino (kg)	14,0		
Kuljettaja	Kuormitus (kg)	25-90		
	Ikä (vuotta)	16 - 50		
	Rungon pituus (cm)	120 - 200		
Koottu sähköpotkulauta	Enimmäisnopeus (km/h)	25	20	20
	Toimintasäde (km) ^[2]	Noin 20		
	Suurin nousukulma (%)	Noin 14		
	Sopivat pinnat	Sementti tai asfalttiet, joiden kohoumat ovat alle 1 cm korkeita tai halkeamat alle 3 cm leveitä		
	Käyttölämpötila (°C)	-10...40		
	Varastointilämpötila (°C)	-20...45		
	IP-luokitus	IPX5		
	Latausaika (h)	Noin 6		
Akku	Malli	T2417-B63A		
	Mitoitusjännite (VDC)	21,6		
	Latausjännite (VDC)	25,2		
	Nimellisenergia (Wh)	165,24		
	Älykäs akun hallintajärjestelmä	Ylikuumentuminen, oikosulku, ylivirta, liiallinen purkautuminen, yllilataussuoja		
	Tavallinen latauslämpötila (°C)	0...40		
	Nimelliskapasiteetti (Ah)	7,65		
Napamoottori	Nimellisteho (kW; W)	0,3; 300	0,3; 300	0,25; 250
Akkulaturi	Malli ^[3]	FY0422521500E		
	Lähtöteho (kW; W)	0,0378; 37,8		
	Tulo	100-240 V~ 50/60 Hz		
	Nimellisvirta (VDC; A)	25,2; 1,5		
Renkas	Etu- ja takarengaat	Vedligeholdelsesfrie indre hule dæk		
Bluetooth	Taajuuskaista (s)	2,4000-2,4835 GHz		
	Suurin RF-teho (dBm)	8		

[1] Ajoneuvon korkeus: maasta sähköpotkulaudan korkeimpaan kohtaan.

[2] Toimintasäde: mitattu 25° C lämpötilassa ilman tuulta, sähköpotkulauta täysin ladattuna, ajonopeuden ollessa tasaisesti 15 km/h tasaisella pinnalla, kuormituksella 75 kg.

[3] Lataa akku ainoastaan paketissa toimitetulla laturilla. Löydät laturin tiedot kohdasta Tekniset tiedot.

5. Sertifiointi

Direktiivi vaarallisista aineista sähkö- ja elektroniikkalaitteissa (RoHS)

Tämä SPACEWALKER PTE. LTD. -tuote ja siihen sisältyvät osat (kaapelit, johdot ja niin edelleen) täyttävät tietyt vaarallisten aineiden käyttöä sähkö- ja elektroniikkalaitteissa koskevan rajoituksen 2011/65/EU liite II ja sen muutosdirektiivin (EU) 2015/863.

EU:n vaatimustenmukaisuusvakuutus



Tämä laite vastaa EU:n vaatimuksia, jotka koskevat elektromagneettisille kentille altistumista. SPACEWALKER PTE. LTD. ilmoittaa täten, että radiolaitetyypit: [EasyRide 20-E], [EasyRide 20-D] ja [EasyRide 20-S] ovat direktiivin 2014/53/EU ja 2006/42/EY mukaisia. EU:n vaatimustenmukaisuutta koskeva teksti löytyy kokonaisuudessaan seuraavasta osoitteesta: www.naveetech.com

European unionin vaatimustenmukaisuusilmoitus Akun kierrätystiedot Euroopan unionissa



Akut tai akkujen pakkaukset on merkitty EU-direktiivin paristoista ja akusta sekä käytetyistä paristoista ja akusta 2006/66/EC ja tarkistuksen 2013/56/EU mukaisesti. Direktiivi määrittää viitekehysten käytettyjen paristojen ja akkujen palautukselle ja kierrätykselle soveltuena koko Euroopan unioniin. Tämä merkintä kuuluu laittaa erilaisiin akkuihin sen ilmaisemiseksi, että akkua ei pidä heittää pois, vaan kierrättää sen käyttöä lopuksi kuten tässä direktiivissä määrätty.

EU-direktiivin 2006/66/EC ja tarkistuksen 2013/56/EU mukaisesti, akut ja paristot tulee merkitä sen ilmaisemiseksi, että ne on kerättävä erikseen ja kierrätettävä käyttöänsä lopuksi. Akun merkintään voi sisältyä myös akun pääasiallisen metallin ilmaiseva kemiallinen merkki (Pb jos lyijy, Hg jos elohopea ja Cd jos kadmium). Akkujen ja paristojen käyttäjien täytyy toimittaa akkunsa ja paristonsa asiakkaille tarkoitettuun verkostoon, joka toimii akkujen ja paristojen palauttamista, kierrätystä ja käsittelyä varten - eikä laittaa akkuja ja paristoja lajittelemattoman kotitalousjätteen mukaan. Asiakkaiden osallistuminen on tärkeää kaikenlaisten mahdollisten haittavaikutusten minimoimiseksi, joita akusta ja paristoista voi koitua ympäristölle ja ihmisten terveydelle vaarallisten aineiden mahdollisesta läsnäolosta johtuen.

Ennen sähkö- ja elektroniikkatavaran toimittamista jätteenkeräyskiertoon tai kierrätyslaitoksiin, akkuja ja paristoja sisältävien laitteiden loppukäyttäjien on eroteltava nämä akut ja paristot erillistä keräystä varten.

Direktiivi sähkö- ja elektroniikkaromusta (SER)



Kaikki tällä symbolilla merkityt tuotteet ovat sähkö- ja elektroniikkaromua (WEEE kuten direktiivissä 2012/19/EU), joita ei saa sekoittaa lajittelemattomaan kotitalousjätteeseen. Sen sijaan sinun on suojeltava ihmisten terveyttä ja ympäristöä luovuttamalla romulaitteet nimettyyn sähkö- ja elektroniikkaromun kierrätyspisteeseen, jonka hallitus tai paikallisviranomaiset ovat osoittaneet. Oikea hävittäminen ja kierrätys auttavat estämään mahdolliset kielteiset vaikutukset ympäristöön ja ihmisten terveyteen. Ota yhteyttä asentajaan tai paikallisiin viranomaisiin saadaksesi lisätietoja tällaisten keräyspisteiden sijainnista ja käyttöehdoista.

Turvavaroitus



Vaara!
Lue käyttöohjeet ennen käyttöä.



VAROITUS!
Lue huolellisesti ja säilytä myöhempää käyttöä varten.



VAROITUS
Kuuma pinta



Älä altista kosteudelle



Valo



SMPS, jossa on oikosulkukestävä turvamuuntaja (luonnostaan tai ei luonnostaan)



SMPS (kytkentätoiminen virtälähde)



Aika-viiveinen minisulakkeellinen sulakelinkki, jossa X on IEC 60127:n mukainen aika/virta-ominaisuutta kuvaava symboli



VAROITUS!
Vain sisäkäyttöön (laturia varten).



VAROITUS
Luokan II laite



VAROITUS
Terävät reunat



≤ 5000m

Laturi on tarkoitettu käytettäväksi korkeintaan 5000 metrin korkeudessa.



Vilkkuvalo



Tasavirta



Vaihtovirta



Laturin ulostulon napaisuus, keskipiste positiivinen

Akkulaturi

VAROITUS

1. Laturi on suunniteltu vain sisäkäyttöön. Älä altista sitä sateelle tai lumelle.
2. Älä käytä muita kuin ladattavia akkuja, sillä ne voivat ylikuumentua ja rikkoutua.
3. Muun tyyppisten akkujen väärinkäyttö saattaa tuottaa räjähtyksen ja aiheuttaa henkilövammoja ja vahinkoja.
4. Älä polta, pura tai oikosulje akkuja.
5. Jos akkujen suorituskyky heikkenee huomattavasti, on aika vaihtaa akut.
6. Säilytä laturi viileässä ja kuivassa paikassa, kun sitä ei käytetä.
7. Katkaise virta ennen kuin yhdistät tai asetat liitännät akkuun.
8. Räjähdyshaaralliset kaasut. Estä liekit ja kipinät. Huolehdi riittävästä ilmanvaihdesta latauksen aikana.
9. Latauksen aikana akku on sijoitettava hyvin ilmastoituun tilaan.
10. Pidä sähkölaitteet poissa lasten tai heikkokuntoisten henkilöiden ulottuvilta. Älä anna heidän käyttää laitteita ilman valvontaa.
11. Tätä laitetta ei ole tarkoitettu sellaisten henkilöiden (mukaan lukien lapset) käyttöön, joilla on heikentyneet fyysiset, sensoriset tai henkiset kyvyt tai joilla ei ole riittävästi kokemusta tai tietoa, ellei heidän turvallisuudestaan vastaava henkilö ole valvonut tai opastanut heitä laitteen käytössä.
12. Tätä laitetta voivat käyttää vähintään 8-vuotiaat lapset ja henkilöt, joilla on heikentyneet fyysiset, sensoriset tai psyykkiset kyvyt tai joilla ei ole riittävästi kokemusta tai tietoa, jos he ovat saaneet valvontaa tai opastusta laitteen turvallisesta käytöstä ja ymmärtävät siihen liittyvät vaarat. Lapset eivät saa leikkiä laitteella. Lapset eivät saa suorittaa puhdistusta ja huoltoa ilman valvontaa.
13. Tämän muuntajan ulkoista taipuisaa kaapelia tai johtoa ei voi vaihtaa; jos johto on vaurioitunut, on muuntaja romutettava.
14. Jos syöttöjohto on vaurioitunut, se on korvattava erikoisjohdolla tai -kokoonpanolla, joka on saatavana valmistajalta tai sen huoltoliikkeeltä.

Latausohjeet

1. Kytke laturi suoraan virtalähteeseen. Älä koskaan käytä jatkojohtoja.
2. Laturi voi ladata vain litiumioniakkua.
3. Vältä käännteistä latausta.
4. Latureita ei ole tarkoitettu autojen akkujen lataamiseen.

 irrotettava virtalähteen osa

Akku

VAROITUS

1. Älä pura, avaa tai silppua toissijaisia kennoja tai paristoja.
2. Pidä paristot poissa lasten ulottuvilta Paristojen käyttöä lasten toimesta on valvottava. Pidä erityisesti pienten paristot poissa pienten lasten ulottuvilta.
3. Hakeudu välittömästi lääkäriin, jos kenno tai paristo on nielty.
4. Älä altista kennoja tai paristoja kuumuudelle tai tulelle. Vältä varastointia suorassa auringonvalossa.
5. Älä oikosulje kennoa tai paristoa. Älä säilytä kennoja tai paristoja sattumanvaraisesti laatikossa tai lipastossa, jossa ne voivat oikosulkea toisiaan tai joutua oikosulkuun muiden metalliesineiden kanssa.
6. Älä poista kennoa tai paristoa alkuperäisestä pakkauksestaan ennen kuin sitä tarvitaan.
7. Älä altista kennoja tai paristoja mekaanisille iskuille.
8. Jos kenno vuotaa, neste ei saa joutua kosketuksiin ihon tai silmien kanssa. Jos neste on tullut kosketuksiin, pese vahingoittunut alue runsaalla vedellä ja hakeudu lääkäriin.
9. Älä käytä muuta kuin laitteen kanssa käytettäväksi tarkoitettua laturia.
10. Huomioi kennon, pariston ja laitteiden plus- (+) ja miinusmerkit (-) ja varmista oikea käyttö.
11. Älä käytä kennoa tai paristoa, jota ei ole suunniteltu käytettäväksi laitteen kanssa.
12. Älä sekoita eri valmistajan, kapasiteetin, koon tai tyypin paristoja laitteessa.
13. Osta aina laitteen valmistajan laitteelle suosittelema paristo.
14. Pidä kennot ja paristot puhtaina ja kuivina.
15. Pyyhi kennon tai pariston navat puhtaalla kuivalla liinalla, jos ne likaantuvat.
16. Toissijaiset kennot ja paristot on ladattava ennen käyttöä. Käytä aina oikeaa laturia ja tutustu valmistajan ohjeisiin tai laitteen käyttöoppaaseen oikeiden latausohjeiden saamiseksi.
17. Älä jätä paristoa pitkäksi aikaa lataukseen, kun sitä ei käytetä.
18. Pitkään säilytyksen jälkeen voi olla tarpeen ladata ja purkaa kennoja tai paristoja useita kertoja, jotta saavutetaan paras mahdollinen suorituskyky.
19. Säilytä alkuperäiset tuoteselosteet myöhempää käyttöä varten.
20. Käytä kennoa tai paristoa vain siinä sovelluksessa, johon se on tarkoitettu.
21. Irrota paristo laitteesta, kun se ei ole käytössä.
22. Hävitä asianmukaisesti

1. Säkerhets instruktioner

VIKTIGT! Läs noga innan du använder produkten och spara den för framtida referens.

För detaljerad e-manual, besök www.naveetech.com

- **D**enna apparat är inte avsedd för användning av personer (inklusive barn) med nedsatt fysisk, sensorisk eller mental förmåga, eller som saknar erfarenhet och kunskap, såvida de inte har fått tillsyn eller instruktioner om användning av apparaten av en person som är ansvarig för deras säkerhet.

Barn bör övervakas så att de inte leker med apparaten.

- **D**enna produkt är avsedd för användare som är äldre än 8 år och personer med fysiska och personer med nedsatt fysisk, sensorisk eller mental förmåga eller brist på erfarenhet och kunskap om de har fått övervakning eller instruktioner angående användning av produkten på ett säkert sätt och förstår inblandade faror.

Barn får inte leka med apparaten. **R**engöring och underhåll får inte utföras av barn utan tillsyn.

- **A**pparaten får endast användas med den strömförsörjningsenhet som medföljer apparaten.
- **I**nnan du rider, använd alltid hjälmar, hand-/handledsskydd, knäskydd, armbågsskydd och annan skyddsutrustning.
- **S**parkcykeln får endast användas av en person. **S**kyldighet att alltid ha skor på sig. **A**vled inte användningen av fordonet.

Denna produkt är endast avsedd för personlig åkning och är inte avsedd för akrobatisk användning.

Produkten rekommenderas för användning av användare över 16 år och under 50 år. **P**ersoner som inte är lämpliga att använda på denna produkt inkluderar: (1) personer som är påverkade av alkohol eller droger, (2) personer som inte kan delta i ansträngande fysiska aktiviteter på grund av hälsa eller fysiska tillstånd, (3) personer som är oförmögna att hålla balansen eller som inte kan hålla balansen på grund av nedsatt motorik, (4) personer vars storlek överstiger viktgränsen, (5) kvinnor som är gravida, (6) personer som lider av syn- och/eller hörselnedsättningar.

- **F**ölj lokala lagar och förordningar när du använder denna produkt. **A**kte inte där det är förbjudet enligt lokala lagar.
- När du färdas i länder och regioner där det inte finns några relevanta nationella standarder och föreskrifter för elektriska sparkcyklar, var noga med att strikt följa säkerhetskraven för användare i denna manual. SPACEWALKER PTE. LTD. kommer inte att bära något direkt ansvar och solidariskt ansvar för all egendom, personliga förluster, olyckor, rättsliga tvister och alla andra negativa händelser som orsakar intressekonflikter orsakade av användning av beteenden som strider mot användarmanualen.
- **A**kte inte i körfält eller bostadsområden där både fordon och fotgängare är tillåtna. När du passerar genom en plats avsedd för fotgängare som har rätt till rätt-till-väg-lagarna som övergångsställe, vänligen gå av och gå med sparkcykeln.
- Välj inte platser där barn, fotgängare, husdjur, fordon, cyklar eller andra hinder och potentiella faror kan dyka upp för din första åktur.
- **N**ödvändiga förberedelser för att använda denna produkt inkluderar: att se till att styrsystemet är korrekt justerat, att alla anslutna tillbehör (såsom fällsystemet) är ordentligt åtdragna och oskadade, och att bromsar och hjul är i

gott skick.

- Utför en grundläggande inspektion av elsparkcykeln före varje åktur. Om det finns onormala tillstånd som lösa delar, varningar om lågt batteri, punkterade däck eller överdrivet slitage på däck, konstiga ljud, funktionsfel och andra onormala tillstånd, sluta omedelbart att köra och ring efter professionell support.
- Nödvändiga förberedelser för att använda denna produkt inkluderar: att se till att styrsystemet är korrekt justerat, att alla anslutna tillbehör (såsom fällsystemet) är ordentligt åtdragna och oskadade, och att bromsar och hjul är i gott skick.
- För att åka säkert måste du tydligt kunna se vad som finns framför dig och du måste vara väl synlig för andra.
- Åk inte i dåligt väder, dålig sikt eller efter intensiv fysisk ansträngning.
- Slå på strålkastaren och sakta ner hastigheten när du cyklar i mörker.
- Se till att stödet är placerat på ett plant underlag och att sparkcykeln är tillräckligt stabil för att stå ensam innan du lämnar den.
- Denna elektriska sparkcykel är en fritidsanordning. Men när man går in på ett allmänt område kommer det att betraktas som ett transportmedel och är föremål för eventuella säkerhetsrisker för alla transportmedel. Att åka i strikt överensstämmelse med instruktionerna i denna manual kommer att skydda dig och andra i största utsträckning.
- Användaren bör kontrollera användningsgränserna i enlighet med lokala bestämmelser. Kör sparkcykeln på de vägar eller områden som är tillåtna enligt lokala bestämmelser och lagar och parkera den på de tillåtna områdena. Skoterns maximala hastighet är begränsad till 25 km/h. Om de lokala bestämmelserna och lagarna har olika bestämmelser om maxhastighet, kommer de lokala bestämmelserna och lagarna att ha företräde. Vänligen respektera och följ trafiksäkerheten och fordonsreglerna.
- Respektera fotgängares förkörrätt. Försök att inte skrämra dem när du kör, särskilt barn. När du färdas bakom fotgängare, ring på din ringklocka för att ge dem en förvarning och sakta ner din sparkcykel för att passera från vänster och håll till höger i låg hastighet medan du kör över dem (gäller länder där fordon kör på högersida). När du korsar fotgängare, håll lägsta hastighet eller stig av fordonet.
- I vilket fall som helst, förutse din bana och din hastighet samtidigt som du respekterar väggkoden, trottoarens kod och de mest utsatta. Meddela din närvaro när du närmar dig en fotgängare eller cyklist när du inte syns eller hörs. Kors a de skyddade passagera medan du går. Kors a skyddade passagera medan du går. Undvik områden med hög trafik eller överfulla områden.
- Att åka med hög hastighet eller en hastighet som inte är lämplig eller tillräcklig för situationen (dåliga väderförhållanden, dåliga ytförhållanden eller liknande) kan leda till en potentiell tappa stabiliteten eller tappa kontrollen. För att minska risken måste du följa alla instruktioner i denna manual. Var försiktig vid montering och demontering av produkten, den kan ramla och orsaka skada.
- Trafiken i städer har många hinder att korsa som trottoarkanter eller trappor. Det rekommenderas att undvika hinderhopp. Det är viktigt att förutse och anpassa din bana och hastighet till en fotgängare innan du korsar dessa hinder. Det rekommenderas också att stiga av fordonet när dessa hinder blir farliga på grund av sin form, höjd eller halka.
- Låna inte ut din sparkcykel till den som inte känner till driften. Innan du lånar ut den elektriska sparkcykeln till andra, se till att användaren har läst denna manual och sett instruktionsvideon och förstått den grundläggande funktionen. Påminn användare att bära säkerhetsskydd på rätt sätt för att säkerställa användarens säkerhet.
- Kontakta din säljare för lämpliga utbildningsorganisationer.
- Ta i alla fall hand om dig själv och andra.

- All last som fästs på styret kommer att påverka fordonets stabilitet.
- Rör inte bromssystemet, det kan orsaka skador på grund av vassa kanter. Brossen kan bli varm vid användning. Rör inte vid den efter användning.
- Den A-vägda emissionsljudtrycksnivån är mindre än 70 dB(A).
- För en bättre åkupplevelse rekommenderas att utföra ett regelbundet underhåll av produkten.
- Eliminera alla vassa kanter som orsakas av användning.
- Tillbehör och andra Accessoarier som inte är godkända av tillverkaren får inte användas.
- Regelbundet underhåll av fordonet är en säkerhetsfaktor.
- Såväl de självåtdragande muttrarna som de andra självåtdragande fästena kan förlora sin effektivitet och att de kan behöva efterdras.
- Kontrollera regelbundet åtdragningen av de olika bultade elementen, särskilt hjulaxlarna, viksystemet, styrsystemet och bromsaxeln.
- Modifiera eller transformera inte fordonet, inklusive styrrör och hylsa, skaft, vikmekanism och bakbroms.
- Gör inga modifieringar som inte anges i anvisningarna.
- Se till att sparkcykeln är avstängd när den transporteras och förvaras i originalförpackningen om möjligt.
- För att undvika oavsiktliga skador såsom elektriska stötar och brand orsakade av felaktig användning, läs instruktionerna noggrant före användning och förvara dem ordentligt för framtida referens.
- Använd denna produkt i enlighet med instruktionerna i användarmanualen. Användare är ansvariga för förlust eller skada som uppstår på grund av felaktig användning av denna produkt.
- Slå av kjøretøyet eller sett det i ikke-operasjonell modus under lading.
- Ladda inte om laddningsporten eller laddningskabeln är våt. Läs denna användarmanual noggrant innan du laddar.
- Ladda inte sparkcykeln vid en omgivningstemperatur över 40° C eller under 0° C.
- Håll ett säkert avstånd när skotern kör på en jämn väg. Bromssträcken ökar i våta förhållanden.
- Stötdämpningen för den här produkten är inte justerbar (om tillämpligt).
- Apparaten är inte avsedd att användas på höjder över 2000 m över havet.
- Apparaten ska kopplas bort från sin strömkälla under service och vid byte av delar.
- Den externa flexibla kabeln eller sladden till denna transformator (laddare) kan inte bytas ut; om sladden är skadad ska transformatorn (laddaren) kasseras.
- Om den externa flexibla kabeln eller sladden till denna transformator är skadad, ska den bytas ut av tillverkaren eller deras servicerepresentant eller en liknande kvalificerad person för att undvika fara.
- Om nätsladden är skadad måste den bytas ut av tillverkaren, dess servicerepresentant eller liknande kvalificerade personer för att undvika fara.
- Den här produkten innehåller batterier som endast kan bytas ut av kvalificerade tekniker eller kundservice.
- Denna apparat innehåller batterier som endast kan bytas ut av kvalificerade personer.

• **WARNING: För att ladda batteriet, använd endast den löstagbara**

försörjningsenheten som medföljer denna apparat. Använd inte en batteriladdare från någon annan produkt. Håll ett säkert avstånd från omgivande brännbart material vid laddning.

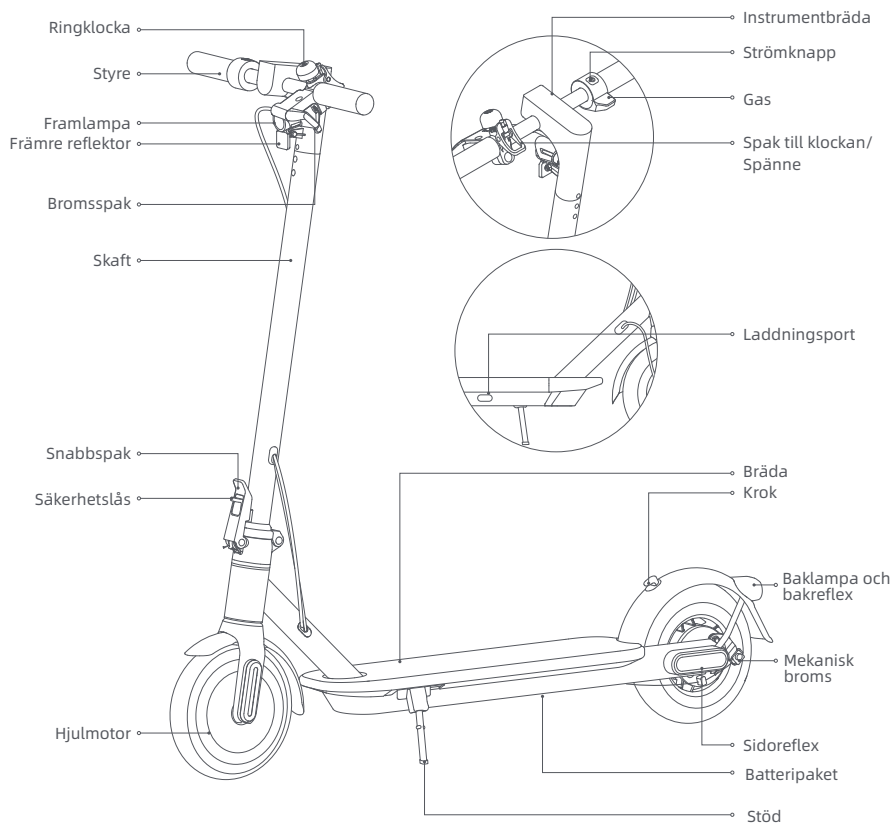
- **WARNING:** Använd inte batteri eller batteriladdare från tredje part. Använd endast med FY0422521500E strömförsörjningsenhet.
- **WARNING!** Håll plastskydd borta från barn för att undvika kvävning.
- **WARNING!** Använd aldrig produkten nära en vattenkälla.
- **WARNING!** Sluta använda produkten när den är skadad.
- **WARNING!** Som med alla mekaniska komponenter utsätts ett fordon för höga påfrestningar och slitage. De olika materialen och komponenterna kan reagera olika på slitage eller utmattnings. Om den förväntade livslängden för en komponent har överskridits kan den plötsligt gå sönder och därmed riskera att orsaka skador på användaren. Sprickor, repor och missfärgningar i områden som utsätts för höga belastningar tyder på att komponenten har överskridit sin livslängd och kontakta en auktoriserad eller specialiserad reparatör.

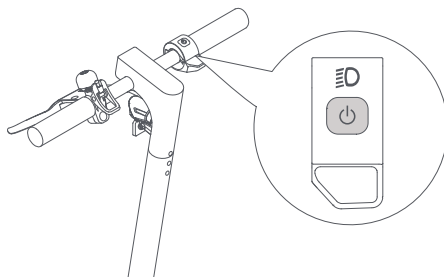
Se upp för klämningsrisken av händer och klämpunkter i följande lägen under användning:


1. Mellan styret och stammen vid montering av styret.
2. Öppningar på hjulen.
3. Mellan främre stänkskärmen och däck.
4. Mellan snabbkopplingsspaken och snabbkopplingsspakens lås samt mellan fällningsfogen och stammen vid hopfällning eller utfällning.
5. Mellan stänkskärmar och hjulen.

2. Produktöversikt

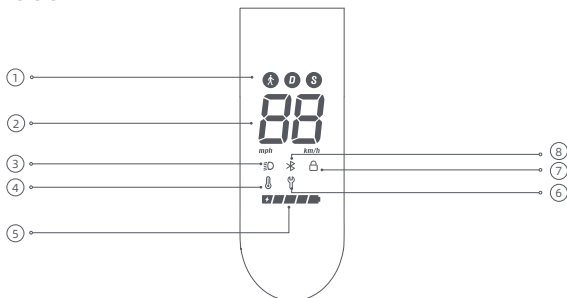
Elsparkcykel





Strömknapp: Tryck på knappen  för att starta spakcykeln och håll knappen  intryckt i 2 till 3 sekunder för att stänga av spakcykeln. När spakcykeln är på, tryck en gång för att slå på/stänga av framlampan och baklampan, och tryck två gånger för att ändra åkläge.

Instrumentbräda



① Åklägen:  är för gåläge, och dess maxhastighet är 6 km/h. D är för standardläge. S är för sportläge.

- ② Hastighetsmätare: Den visar aktuell hastighet när sparkcykeln används. När sparkcykeln har ett problem visar den en felkod. När sparkcykeln laddas visar den aktuell batterinivå.
- ③ Ljus: När skotern är på, tryck på strömknappen för att slå på/stänga av strålkastaren och bakljuset. Alternativt kan du aktivera den automatiska ljusavkänningsfunktionen via APP. Under åkturen kommer strålkastaren och baklyktan att tändas/släckas automatiskt baserat på omgivande ljusstyrka.
Obs: Efter att ha aktiverat den automatiska ljusavkänningsfunktionen, om du tänder eller stänger av ljuset manuellt, kommer denna funktion tillfälligt att avaktiveras. Du måste starta om den elektriska skotern för att den ska träda i kraft.
- ④ Temperaturvarning: Om batteritemperaturen är för hög eller för låg kommer termometerikonen att lysa. Använd eller ladda sparkcykeln efter att dess batteritemperatur återgått till det normala driftsområdet.
- ⑤ Batterinivå: Batterinivån indikeras med 5 streck, som var och en representerar cirka 20 % av ett fullt batteri.
- ⑥ Felmeddelande: När skiftnyckelikonen lyser rött indikerar det att sparkcykeln har ett fel.
- ⑦ Låsa: När ikonen tänds indikerar det att elsparkcykeln är låst. Du kan låsa/låsa upp elsparkcykeln via NAVEE-appen.
- ⑧ Bluetooth: Bluetooth-ikonen är alltid på, vilket indikerar att sparkcykeln har anslutits till den mobila enheten.

3. Skötsel och underhåll

Rengöring

Under rengöring, se till att sparkcykeln är avstängd, att laddningskabeln är urkopplad och att gummiskyddet är stängt.

Torka av huvudchassit med en mjuk fuktig trasa, den svåra att ta bort smutsen kan skrubbas med en tandborste. Torka sedan av alla områden med en torr trasa.

VARNING!

- Tvätta inte sparkcykeln med en högtryckstvätt.
- Rengör inte sparkcykeln med frätande rengöringsmedel, eftersom det kommer att skada sparkcykelns yttre och inre struktur.

Batteri

Ladda alltid innan du tar ur batteriet för att förlänga batteriets livslängd.

När du åker, förvarar eller laddar, överskrid inte den specificerade temperaturgränsen (se specifikationerna). Underlåtenhet att följa instruktionerna för användning, förvaring eller laddning kan resultera i batteriskada, underlåtenhet att ladda och ogiltigförklara garantin.

Den fulladdade sparkcykeln har en ungefärlig standbytid på 120-180 dagar. Om den inte används under en längre tid bör den laddas var 30:e dag. Var uppmärksam på standbytiden för att förhindra oåterkalleliga skador på batteriet som orsakas av att batteriet inte laddas.

VARNING!

- Använd inte batteripaket av andra modeller eller märken, eftersom det kan finnas en säkerhetsrisk.
- Använd endast original batteriladdaren för att undvika potentiella skador eller brand.
- Om batteriet är skadat eller blött med vatten, ladda inte eller fortsätt att använda det.
- Ta inte bort batteriet. Att ta bort batteriet är komplicerat och felaktig användning kan påverka sparkcykelns funktion.

Förvaring

Om sparkcykeln inte ska användas under en längre tid, ladda den helt, stäng sedan av den och förvara den på en sval, torr plats. Ladda om sparkcykeln minst varannan månad för att förhindra batteriskador. Se till att sparkcykeln är avstängd när den transporteras och förvaras i originalförpackningen om möjligt.

VARNING!

- Vänligen lämna inte sparkcykeln under het sol eller starkt fuktig plats under längre perioder.
- Placera inte skotern nära brandfarliga material.
- Denna produkt innehåller ett inbyggt litiumbatteri och får endast transporteras när det är tillåtet enligt lokala lagar och förordningar.

Miljöinstruktioner

Sparkcykeln innehåller ett uppladdningsbart litiumjonbatteri, och felaktig kassering av dessa batterier kommer att skada miljön. Följ stegen nedan för att ta bort batterierna innan du kasserar skotern och kassera batterierna på rätt sätt:

1. Innan du tar bort batteriet, stäng av och töm det till fullt. Ta sedan bort trampdynan och skruva loss fästbultarna mellan pedalen och ramen för att öppna fotpedalen.
2. Koppla ur batterikontakten och ta sedan bort batterierna. Skada inte batterihöljet för att undvika risk för skador. Använd inte batteriet om det är skadat, om det har en konstig lukt, avger rök eller blir överhettat. Håll ett läckande batteri borta från andra föremål.
3. Kassera de borttagna batterierna på en professionell återvinningsanläggning.

Underhållsschema för skoter (rekommenderad):

Att underhålla skotern regelbundet kan hjälpa till att hålla skotern snygg och i gott skick, undvika säkerhetsrisker, minimera haverier, sakta ner slitaget av skotern och förlänga skoterns livslängd.

Artikel	Serviceobjekt	Åtgärder	Varje månad	Var 3:e månad	Var 500:e km/6 månader	Var 1000:e km/1 år	Var 10000:e km/3 år
Däck	Däckslitage	Kontrollera om däcket är sprucket, deformerat, slitet osv.			√	√	√

Artikel	Serviceobjekt	Åtgärder	Varje månad	Var 3:e månad	Var 500:e km/6 månader	Var 1000:e km/1 år	Var 10000:e km/3 år
Skruvar	Styrets monteringskruvar	Dra åt skruven som förbinder styret med spindelensheten (med det rekommenderade vridmomentet på $3,0 \pm 0,5$ N·m).		✓	✓	✓	✓
		Dra åt acceleratorskruven (med rekommenderat vridmoment på $1,6 \pm 0,1$ N·m).					
		Dra åt bromsspakens skruv (med rekommenderat vridmoment på $5,5 \pm 0,5$ N·m).				✓	✓
Funktioner	Bromsjustering	Före justering, se till att skotern är avstängd och inte laddas. Verktyg: 5 mm insexnyckel (verktyget måste förberedas av användaren). När bromsen är för hårt justerad, använd verktyget för att skruva muttern på skruvstängens moturs. Då kortar du bromsvajerns blottade nedre del en aning. När bromsen är för löst justerad, använd verktyget för att skruva muttern på skruvstängens medurs. Då förlänger du bromsvajerns blottade nedre del en aning.			✓	✓	✓
	Uppladdning	Ladda skotern vid en lämplig temperatur. Indikatorn på batteriladdaren är röd när skotern laddas och blir grön när skotern är fulladdad. Kontrollpanelen kommer att visa laddningsstatus samtidigt under laddningen.			✓	✓	✓
	Styrning	Vrid styret 60° åt vänster och höger för att säkerställa att svängvinkeln är korrekt och att styrningen är fri från motstånd och stagnation.				✓	✓
Viktiga komponenter	Batterimontering	Ladda skotern helt innan du lämnar den oanvänd under en längre tid och starta den för att ladda var 60:e dag.					✓

Hjul, bromsbelägg och andra känsliga delar är slitna eller skadade och behöver bytas ut, vänligen kontakta kundservice i tid.

TFör att hitta en kvalificerad servicebutik, kontakta oss via service@navee.tech/www.naveetech.com

4. Specifikationer

Produkt	Namn	NAVEE elsparkcykel		
	Modell	EasyRide 20-E	EasyRide 20-D	EasyRide 20-S
Dimensioner	Fordon: L x B x H (mm) ^[1]	1093 x 466 x 1098		
	Ihopfälld: L x B x H (mm)	1091 x 463 x 435		
Nettovikt	Fordonets nettovikt (kg)	14,0		
Förare	Belastningsområde (kg)	25-90		
	Ålder (år)	16 - 50		
	Kroppslängd (cm)	120 - 200		
Monterad elsparkcykel	Maxhastighet (km/h)	25	20	20
	Allmän räckvidd (km) ^[2]	Cirka 20		
	Max. uppförlutning (%)	Cirka 14		
	Lämpliga ytor	Cement- eller asfaltsvägar, med avsatser på under 1 cm eller springor som är smalare än 3 cm.		
	Arbetstemperatur (°C)	-10 till 40		
	Förvaringstemperatur (°C)	-20 till 45		
	IP-klassning	IPX5		
	Laddningstid (h)	Cirka 6		
	Batteripaket	Modell	T2417-B63A	
Märkspänning (V DC)		21,6		
Max. laddningsspänning (V DC)		25,2		
Märkeffekt (Wh)		165,24		
Intelligent batterihanteringsystem		Överhettning-, kortslutnings-, överströms-, överurladdnings- och överladdningsskydd		
Normalt temperaturintervall för laddning (°C)		0 till 40		
Hjulmotor	Nominell kapacitet (Ah)	7,65		
	Nominell effekt (kW; W)	0,3; 300	0,3; 300	0,25; 250
	Modell ^[3]	FY0422521500E		
	Uteffekt (kW; W)	0,0378; 37,8		
	Indata	100-240 V~ 50/60 Hz		
	Märkspänning (V DC; A)	25,2; 1,5		
Däck	Fram- och bakdäck	Underhållsfri inre håldäck		
Bluetooth	Frekvensband (s)	2,4000-2,4835 GHz		
	Max. RF-effekt (dBm)	8		

[1] Fordonshöjd: från marken till elsparkcykelns överdel.

[2] Allmän räckvidd: uppmätt utan vind och vid 25 °C, elsparkcykeln fulladdad för körning med en konstant hastighet på 15 km/h på en plan yta med en last på 75 kg.

[3] Använd endast laddaren som medföljer i förpackningen för att ladda batteriet. Se laddarens parametrar i specifikationerna.

5. Certifieringar

RoHS-direktivet (Restriction of Hazardous Substances)

Denna SPACEWALKER PTE. LTD. produkt med medföljande delar (kablar, sladdar och så vidare) uppfyller kraven i direktiv 2011/65/EU om begränsning av användning av vissa farliga ämnen i elektrisk och elektronisk utrustning ("RoHS recast" eller "RoHS 2").

EU-försäkran om överensstämmelse



Denna enhet uppfyller EU:s krav på begränsning av allmänhetens exponering för elektromagnetiska fält genom hälsoskydd.

Härmed förklarar SPACEWALKER PTE. LTD. att radioutrustningstypen: [EasyRide 20-E], [EasyRide 20-D] och [EasyRide 20-S] överensstämmer med direktiv 2014/53/EU och 2006/42/EG. Den fullständiga texten till EU-försäkran om överensstämmelse finns på följande Internetadress: www.naveetech.com

EU-försäkran om överensstämmelse

Information om batteriåtervinning för Europeiska unionen



Batterier eller förpackningar med batterier är märkta i enlighet med Europaparlamentets och rådets direktiv 2006/66/EG med ändring 2013/56/EU om batterier och ackumulatörer och batterier och ackumulatörer. Direktivet fastställer ramarna för retur och återvinning av använda batterier och ackumulatörer som är tillämpliga i hela Europeiska unionen. Denna etikett tillämpas på olika batterier för att ange att batteriet inte ska slängas, utan snarare återvinnas vid slutet av livslängden enligt detta direktiv.

I enlighet med Europaparlamentets och rådets direktiv 2006/66/EG med ändring 2013/56/EU märks batterier och ackumulatörer för att ange att de ska samlas in separat och återvinnas i slutet av deras livslängd. Etiketten på batteriet kan också innehålla en kemisk symbol för den berörda metallen i batteriet (Pb för bly, Hg för kvicksilver och Cd för kadmium). De som använder batterier och ackumulatörer får inte slänga batterier och ackumulatörer som osorterat kommunalt avfall, utan måste använda de regler för insamling som är tillgänglig för kunderna avseende retur, återvinning och behandling av batterier och ackumulatörer. Kundens medverkan är viktig för att minimera eventuella potentiella effekter av batterier och ackumulatörer på miljön och på människors hälsa på grund av potentiell förekomst av farliga ämnen.

Innan elektrisk och elektronisk utrustning (EEE) placeras i avfallsinsamling eller i avfallsinsamlingsanläggningar måste slutanvändare av utrustning som innehåller batterier och/eller ackumulatörer ta bort dessa batterier och ackumulatörer för separat insamling.

WEEE-direktivet (Waste Electrical and Electronic Equipment)



Alla produkter märkta med den här symbolen är el- och elektronikprodukter (WEEE i enlighet med direktivet 2012/19/EU) och får inte avyttras tillsammans med osorterat hushållsavfall. Du bör istället skydda människors hälsa och miljön genom att lämna in ditt el- och elektronikavfall till de insamlingsstationer för återvinning av el- och elektronikutrustning som tillhandahålls av statliga eller lokala myndigheter. Korrekt avyttring och återvinning bidrar till att minska negativa konsekvenser för miljön och människors hälsa. Kontakta installatören eller de lokala myndigheterna för mer information om dessa insamlingsplatser och vilka villkor som gäller.

Säkerhetsvarning



Fara!
Läs bruksanvisningen före användning.



VARNING!
Läs noggrant och behåll för framtida referens.



VARNING
Varm yta



Får inte utsättas för fukt



Ljus



SMPS som innehåller en kortslutningssäker säkerhetsisole ringtransformator (inherent eller icke-inherent)



SMPS (strömförsörjningsenhet med switchläge)



Tidsfördröjning miniatyrsäkringslänk där X är symbolen för tids-/strömkaraktistiken enligt IEC 60127



VARNING!
Endast för inomhusbruk (för laddaren).



VARNING
Klass II apparat



VARNING
Vassa kanter



≤ 5000m

Laddaren är avsedd att användas på höjder som inte överstiger 5000m.



Styrljus



Risk för elektriska stötar, öppna inte, endast för inomhusbruk



Växelström



Polaritet på laddarens utgång, mitten positiv


Batteriladdare

VARNING

1. Laddaren är endast avsedd för inomhusbruk. Utsätt ej för regn eller snö.
2. Använd inte för icke-uppladdningsbara batterier, eftersom de kan överhettas och gå sönder.
3. Felaktig användning av andra typer av batterier kan spricka och orsaka personskador och andra skador.
4. Bränn inte, plocka isär eller kortslut inte batterier.
5. Om batteriernas prestanda minskar avsevärt är det dags att byta ut batterierna.
6. Förvara laddaren på en sval och torr plats när den inte används.
7. Koppla bort strömförsörjningen innan du sätter i eller bryter anslutningarna till batteriet.
8. Explosiva gaser. Förhindra lågor och gnistor. Sörj för god ventilation under laddning.
9. Under laddning måste batteriet placeras i ett välventilerat utrymme.
10. Förvara apparater utom räckhåll för barn eller olämpliga personer. Låt dem inte använda apparaterna utan uppsikt.
11. Denna apparat är inte avsedd för användning av personer (inklusive barn) med nedsatt fysisk, sensorisk eller mental förmåga, eller som saknar erfarenhet och kunskap, såvida de inte har fått tillsyn eller instruktioner om användning av apparaten av en person som är ansvarig för deras säkerhet.
12. Denna apparat kan användas av barn från 8 år och uppåt och personer med nedsatt fysisk, sensorisk eller mental förmåga eller bristande erfarenhet och kunskap om de har fått tillsyn eller instruktioner om hur apparaten används på ett säkert sätt och förstår farorna inblandade. Barn får inte leka med apparaten. Rengöring och underhåll får inte utföras av barn utan tillsyn.
13. Den externa flexibla kabeln eller sladden till denna transformator kan inte ersättas. Om sladden skadas ska transformatorn kasseras.
14. Om nätsladden är skadad måste den bytas ut mot en speciell sladd eller montering som finns tillgänglig från tillverkaren eller dess serviceagent.

Laddningsinstruktioner

1. Anslut laddaren direkt till en strömkälla. Använd aldrig en förlängningsladd.
2. Laddaren kan bara ladda litiumjonbatterier.
3. Undvik omvänd laddning.
4. Laddarna är inte avsedda för laddning av bilbatterier.

 Löstagbar strömförsörjningsdel

Batteripaket

VARNING

1. Demontera, öppna eller strimla inte sekundära celler eller batterier.
2. Förvara batterier utom räckhåll för barn. Batterianvändning av barn bör övervakas. Förvara särskilt små batterier utom räckhåll för små barn.
3. Uppsök läkare omedelbart om en cell eller ett batteri har svalts.
4. Utsätt inte celler eller batterier för heta eller eld. Undvik förvaring i direkt solljus.
5. Kortslut inte en cell eller ett batteri. Förvara inte celler eller batterier slumpmässigt i en kartong eller låda där de kan kortsluta varandra eller kortslutats av andra metallföremål.
6. Ta inte ut en cell eller ett batteri ur originalförpackningen förrän den ska användas.
7. Utsätt inte celler eller batterier för mekaniska stötar.
8. I händelse av att en cell läcker, låt inte vätskan komma i kontakt med huden eller ögonen. Om kontakt har skett, tvätta det drabbade området med rikliga mängder vatten och uppsök läkare.
9. Använd inte någon annan laddare än den som specifikt tillhandahålls för användning med utrustningen.
10. Observera plus- (+) och minus (-) markeringarna på cellen, batteriet och utrustningen och säkerställ korrekt användning.
11. Använd inte någon cell eller batteri som inte är designade för användning med utrustningen.
12. Blanda inte celler av olika tillverkning, kapacitet, storlek eller typ i en enhet.
13. Köp alltid det batteri som rekommenderas av tillverkaren av enheten för utrustningen.
14. Håll celler och batterier rena och torra.
15. Torka av cell- eller batteripolerna med en ren torr trasa om de blir smutsiga.
16. Sekundära celler och batterier måste laddas före användning. Använd alltid rätt laddning och se tillverkarens instruktioner eller utrustningsmanual för korrekta laddningsinstruktioner.
17. Lämna inte ett batteri på en längre laddning när det inte används.
18. Efter längre förvaringsperioder kan det vara nödvändigt att ladda och ladda ur cellerna eller batterierna flera gånger för att få maximal prestanda.
19. Behåll den ursprungliga produktlitteraturen för framtida referens.
20. Använd endast cellen eller batteriet i den applikation som den var avsedd för.
21. Om möjligt, ta bort batteriet från utrustningen när den inte används.
22. Kassera på rätt sätt.

VIGTIG! Læs manualen omhyggeligt før du bruger produktet og gem det til fremtidig reference. For en detaljeret e-manual, besøg venligst www.naveetech.com.

- **D**ette apparat er ikke beregnet til at blive brugt af personer (inklusive børn) med nedsatte fysiske, sensoriske eller mentale evner eller mangel på erfaring og viden, medmindre de har fået opsyn eller instruktion i brugen af apparatet af en person, der er ansvarlig for deres sikkerhed.

Børn skal være under opsyn for at sikre, at de ikke leger med apparatet.

- **D**ette apparat er beregnet til førere over 8 år og personer med fysiske og personer med nedsatte fysiske, sensoriske eller mentale evner eller mangel på erfaring og viden, hvis de har fået opsyn eller instruktion i brugen af apparatet på en sikker måde og forstår de involverede farer.

Børn må ikke lege med apparatet. **R**engøring og brugervedligeholdelse må ikke udføres af børn uden opsyn.

- **A**pparatet må kun bruges med den strømforsyningsenhed, der følger med apparatet.

- **F**ør du kører, skal du altid bære hjelme, hånd-/håndledsbeskyttere, knæbeskyttere, albuebeskyttere og andet beskyttelsesudstyr.

- **L**øbehjulet må kun bruges af én person. **F**orpligtelse til altid at have sko på. **U**ndlad at omdirigere brugen af køretøjet.

Dette produkt er kun til privat brug og er ikke beregnet til akrobatisk brug.

- **P**roduktet anbefales til førere over 16 år og under 50 år. **P**ersoner, der ikke er egnede til at køre på dette produkt, omfatter: (1) personer under påvirkning af alkohol eller stoffer, (2) personer, der ikke er i stand til at deltage i anstrengende fysiske aktiviteter på grund af helbredsmaessige eller fysiske forhold, (3) personer, der ikke er i stand til at holde balancen, eller som ikke kan holde balancen på grund af nedsat motorik, (4) personer, hvis størrelse overstiger vægtgrænsen, (5) kvinder, der er gravide, (6) personer, der lider af syns- og/eller hørenedsættelse.

- **O**verhold lokale love og regler, når du kører på dette produkt. **K**ør ikke hvor det er forbudt i henhold til lokal lovgivning.

- Når du kører i lande og regioner, hvor der ikke er relevante nationale standarder og regler for elektriske løbehjul, skal du sørge for nøje at overholde sikkerhedskravene for førere i denne betjeningsvejledning. SPACEWALKER PTE. LTD. vil ikke bære noget direkte ansvar og solidarisk ansvar for al ejendom, personlige tab, ulykker, juridiske tvister og alle andre uønskede hændelser, der forårsager interessekonflikter forårsaget af brugen af adfærd i strid med brugermanualen.

- Kør ikke i vejbaner eller boligområder, hvor både køretøjer og fodgængere er tilladt. Når du passerer gennem et sted, der er udpeget til fodgængere, som er berettiget til vigepligtslovgivningen, såsom fodgængerovergang, bedes du stå af for at gå sammen med løbehjulet.

- Vælg ikke steder, hvor børn, fodgængere, kæledyr, køretøjer, cykler eller andre forhindringer og potentielle farer kan dukke op på din første tur.

- Nødvendige forberedelser til brug af dette produkt omfatter: at sikre, at styresystemet er korrekt justeret, at alt tilsluttet tilbehør (såsom foldesystemet) er korrekt spændt og ubeskadiget, og at bremses og hjul er i god stand..

- Udfør en grundlæggende inspektion af el-løbehjulet før hver tur. Hvis der er unormale forhold, såsom løse dele, advarsler om lavt batteri, flade dæk eller overdrevet slid på dæk, mærkelige lyde, fejlfunktioner og andre unormale forhold, skal du stoppe med at køre med det samme og tilkalde professionel support.
- Nødvendige forberedelser til brug af dette produkt omfatter: at sikre, at styresystemet er korrekt justeret, at alt tilsluttet tilbehør (såsom foldesystemet) er korrekt spændt og ubeskadiget, og at bremsen og hjul er i god stand.
- For at køre sikkert skal du tydeligt kunne se, hvad der er foran dig, og du skal være tydeligt synlig for andre.
- Kørsel ikke i dårligt vejr, dårlig sigtbarhed eller efter intens fysisk anstrengelse.
- Tænd forlygterne og sænk hastigheden, når du kører i mørke.
- Sørg for, at kickstativet er placeret på en flad overflade, og at kick-scooteren er stabil nok til at stå alene, før du forlader den.
- Dette elektriske løbehjul er en fritidsenhed. Men når man går ind på et offentligt område, vil det blive betragtet som et transportmiddel og underlagt mulige sikkerhedsrisici for alle transportmidler. At køre i nøje overensstemmelse med instruktionerne i denne manual vil beskytte dig og andre i størst muligt omfang.
- Føreren bør kontrollere grænserne for brug i overensstemmelse med de lokale regler. Kør løbehjulet på de veje eller områder, der er tilladt i henhold til lokale regler og love, og parker den på de tilladte områder. Løbehjulets maksimale hastighed er begrænset til 25 km/t. Hvis de lokale regler og love har forskellige bestemmelser om den maksimale hastighed, vil de lokale regler og love være gældende. Respekter og følg færdselssikkerheden og køretøjsreglerne.
- Respekter fodgængeres forkørselsret. Prøv ikke at forskrække dem under kørsel, især børn. Når du kører bagved fodgængere, skal du ringe på din klokke for at give dem en advarsel og sænke farten på dit løbehjul for at passere fra deres venstre side, og holde til højre med lav hastighed, mens du kører hen over dem (gælder for lande, hvor køretøjer kører til højre). Når du kører på tværs af fodgængere, skal du holde den laveste hastighed eller stå af køretøjet.
- Under alle omstændigheder skal du foregive din bane og din hastighed, mens du respekterer vejen, fortovet og de mest sårbare personer. Giv besked om din tilstedeværelse, når du nærmer dig en fodgænger eller cyklist, når du ikke bliver set eller hørt. Kryds de beskyttede passager, mens du går. Undgå områder med høj trafik eller overfyldte områder.
- At køre med høj hastighed eller en hastighed, der ikke er passende eller tilstrækkelig til situationen (dårlige vejforhold, dårlige overfladeforhold eller lignende) kan føre til et potentielt tab af stabilitet eller tab af kontrol. For at reducere enhver risiko skal du følge alle instruktioner i denne manual. Vær forsigtig ved montering og afmontering af produktet, da det kan falde ned og forårsage skade.
- Trafikken i byen har mange forhindringer at krydse, såsom kantsten eller trapper. Det anbefales at undgå forhindringsspring. Det er vigtigt at forudse og tilpasse din bane og hastighed til en fodgænger, før du krydser disse forhindringer. Det anbefales også at komme af køretøjet, når disse forhindringer bliver farlige på grund af deres form, højde eller glidning.
- Udlån ikke dit løbehjul til dem, der ikke kender betjeningen. Før du udlåner el-løbehjulet til andre, skal du sørge for, at føreren har læst denne instruktionsmanual og set instruktionsvideoen og forstået den grundlæggende betjening. Mind førere om at bære sikkerhedsbeskyttelse korrekt for at sikre førerens sikkerhed.
- Kontakt din sælger for passende uddannelsesorganisationer.
- I alle tilfælde skal du passe på dig selv og andre.
- Enhver belastning på styret vil påvirke køretøjets stabilitet.
- Rør ikke ved bremsesystemet, da det kan forårsage skader på grund af skarpe kanter. Bremsen kan blive varm

under brug. Rør ikke efter brug.

- Det A-vægtede emissionslydtryksniveau er mindre end 70 dB(A).
- For en bedre køreoplevelse anbefales det at udføre en regelmæssig vedligeholdelse af produktet.
- Fjern eventuelle skarpe kanter forårsaget af brug.
- Tilbehør og eventuelle yderligere dele, som ikke er godkendt af producenten, må ikke anvendes.
- Regelmæssig vedligeholdelse af køretøjet er en sikkerhedsfaktor.
- De selvspændende møtrikker samt de øvrige selvspændende befæstigelses kan miste deres effektivitet, og de skal muligvis efterspændes.
- Kontroller regelmæssigt tilspændingen af de forskellige boltede elementer, især hjulakserne, foldesystemet, styresystemet og bremseakslen.
- Undlad at ændre eller transformere køretøjet, inklusive styrerøret og muffen, frempinden, foldemekanismen og bagbremsen.
- Foretag ikke ændringer, der ikke er angivet i instruktionerne.
- Sørg for, at løbehjulet er slukket, når den transporteres og opbevares i dens originale emballage, hvis det er muligt.
- For at undgå utilsigtede skader såsom elektrisk stød og brand forårsaget af forkert brug, bedes du læse instruktionerne omhyggeligt før brug, og opbevare dem korrekt til fremtidig reference.
- Brug venligst dette produkt i overensstemmelse med instruktionerne i brugermanualen. Førere er ansvarlige for ethvert tab eller skade, der opstår som følge af forkert brug af dette produkt.
- Sluk køretøjet, eller sæt det i en ikke-driftstilstand under opladning.
- Oplad ikke, hvis ladeporten eller ladekablet er vådt. Læs denne manual omhyggeligt før opladning.
- Oplad ikke løbehjulet ved en omgivende temperatur over 40° C eller under 0° C.
- Hold en sikker afstand, når scooteren kører på en jævn vej uden hældning. Bremselængden vil øges i vådt vejr.
- Støtdabsorberingen på dette produkt kan ikke justeres (hvis relevant).
- Apparatet er ikke beregnet til brug i højder på mere end 2000 m over havets overflade.
- Apparatet skal være afbrudt fra strømkilden under service og ved udskiftning af dele.
- Det eksterne fleksible kabel eller ledning på denne transformator (oplader) kan ikke udskiftes; hvis ledningen er beskadiget, skal transformeren (opladeren) skrottes.
- Hvis det eksterne fleksible kabel eller ledningen til denne transformator er beskadiget, skal det udskiftes af producenten eller deres serviceagent eller en tilsvarende kvalificeret person for at undgå en fare.
- Hvis forsyningsledningen er beskadiget, skal den udskiftes af producenten, dennes serviceagent eller lignende kvalificerede personer for at undgå en fare.
- Dette produkt indeholder batterier, som kun kan udskiftes af kvalificerede teknikere eller af eftersalgsservice.
- Dette apparat indeholder batterier, som kun kan udskiftes af fagfolk.

ADVARSEL: Med henblik på genopladning af batteriet må du kun bruge den aftagelige forsyningsenhed, der følger med dette apparat. Brug ikke en batterioplader fra et andet produkt.

Hold sikker afstand til de omgivende brændbare stoffer under opladning.

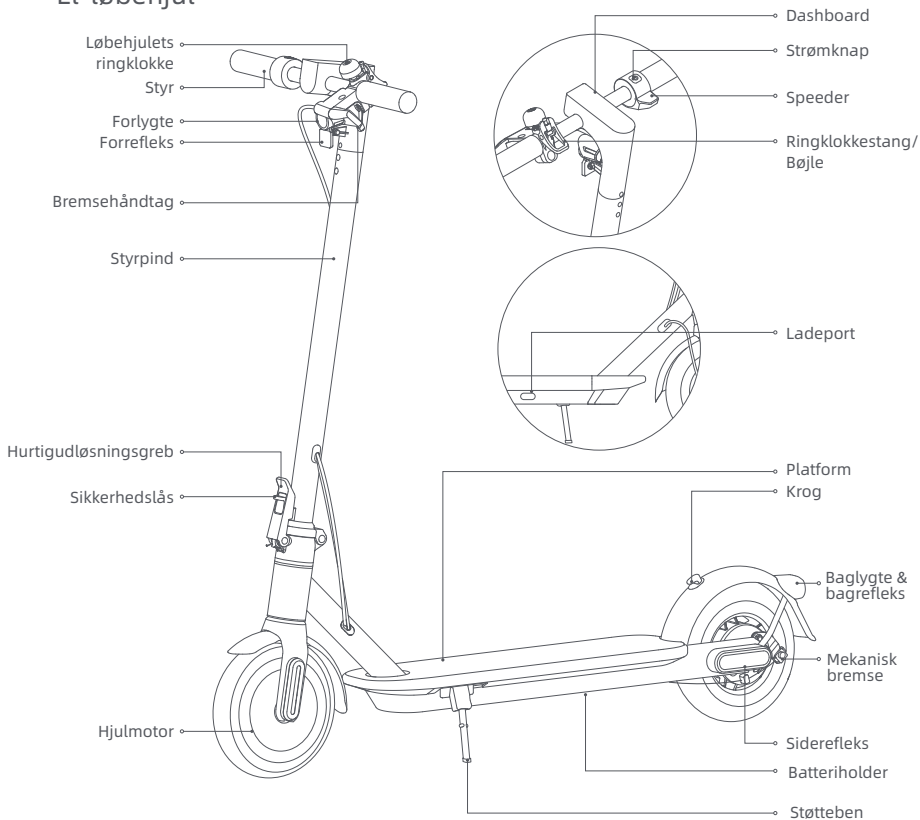
- **ADVARSEL:** Brug ikke batterier eller batteriopladere fra en tredjepart. Brug kun med FY0422521500E forsyningsenhed.
- **ADVARSEL!** Hold plastikbetræk væk fra børn for at undgå kvælning.
- **ADVARSEL!** Brug aldrig produktet tæt på en vandkilde.
- **ADVARSEL!** Stop med at bruge produktet, når det er beskadiget.
- **ADVARSEL!** Som med enhver mekanisk komponent er et køretøj udsat for høje belastninger og slid. De forskellige materialer og komponenter kan reagere forskelligt på slid eller træthed. Hvis den forventede levetid for en komponent er overskredet, kan den pludselig gå i stykker og dermed risikere at forårsage skader på føreren. Revner, ridser og misfarvninger i områder, der er udsat for høje belastninger, indikerer, at komponenten har overskredet sin levetid. Kontakt venligst en autoriseret eller specialiseret reparatør.

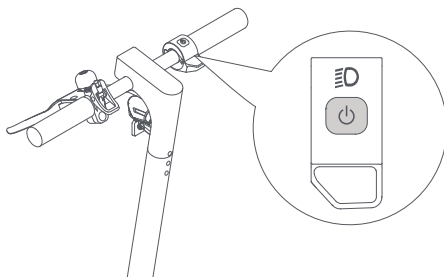
Pas på farer for håndklemning og klemningspunkter i følgende positioner under brug:

1. Mellem styret og stangen ved montering af styret.
2. Åbning på hjulene.
3. Mellem forskærmen og bundpladen.
4. Mellem quick release-håndtaget og quick release-håndtagets lås og mellem foldeleddet og stangen ved sammen- eller udfoldning.
5. Mellem forskærmene og hjulene.

2. Produktoversigt

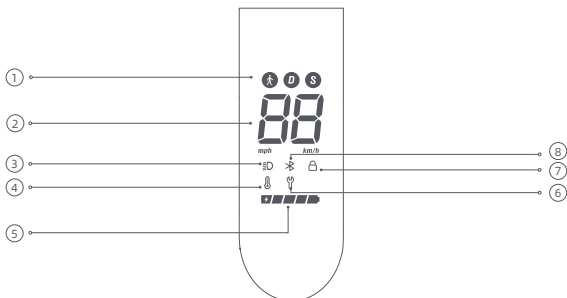
El-løbehjul






Strømknap: Tryk på knappen  for at tænde løbehjulet, og hold knappen  nede i 2 til 3 sekunder for at slukke løbehjulet. Når løbehjulet er tændt, tryk én gang for at tænde/slukke forlygten og baglygten, og tryk to gange for at skifte køretilstand.

Dashboard



① Køretilstande:  er til gangtilstand, og dens maksimale hastighed er 6 km/t. D er til standardtilstand. S er til sportstilstand.

- ② Speedometer: Den viser den aktuelle hastighed, når løbehjulet kører. Når løbehjulet har et problem, viser den en fejlkode. Når løbehjulet oplader, viser den det aktuelle batteriniveau.
- ③ Lys: Når scooteren er tændt, skal du trykke på tænd/sluk-knappen for at tænde/slukke forlygten og baglygten. Alternativt kan du aktivere den automatiske lysfølsomme funktion via APP'en. Under kørslen vil forlygten og baglygten tænde/slukke automatisk baseret på lysstyrken i omgivelserne.
Bemærk: Hvis du tænder eller slukker lyset manuelt efter at have aktiveret den automatiske lysfølsomme funktion, vil denne funktion midlertidigt blive deaktiveret. Du bliver nødt til at genstarte el-scooteren, før den træder i kraft.
- ④ Temperaturadvarsel: Hvis batteritemperaturen er for høj eller for lav, vil termometerikonet være tændt. Brug eller oplad løbehjulet, efter dens batteritemperatur vender tilbage til det normale driftsområde.
- ⑤ Batteriniveau: Batteristrømmen er angivet med 5 søjler, der hver repræsenterer cirka 20 % af et fuldt batteri.
- ⑥ Fejlmeddelelse: Når skruenøglikeikonet er rødt, indikerer det, at løbehjulet har en fejl.
- ⑦ Lås: Når ikonet lyser op, indikerer det, at løbehjulet er låst. Lås løbehjulet/lås løbehjulet op via NAVEE-appen.
- ⑧ Bluetooth: Bluetooth-ikonet er altid tændt, hvilket indikerer, at løbehjulet er blevet forbundet med den mobile enhed.

3. Pleje og vedligeholdelse

Rengøring

Under rengøring skal du sørge for, at løbehjulet er slukket, ladekablet er trukket ud, og gummiklappen er lukket.

Tør hovedstellet af med en blød fugtig klud, og det svære snavs kan skrubbes med en tandbørste. Tør derefter alle områder af med en tør klud.

ADVARSEL!

- Vask ikke løbehjulet med en højtryksvandspray.
- Rengør ikke løbehjulet med ætsende rengøringsmiddel, som vil beskadige løbehjulets ydre og indre struktur.

Batteri

Oplad altid, før du opbruger batteriet for at forlænge batteriets levetid.

Når du kører, opbevarer eller oplader, må du ikke overskride den specificerede temperaturløse (se specifikationerne). Undladelse af at følge instruktionerne for brug, opbevaring eller opladning kan resultere i batteriskade, manglende opladning og ugyldiggøre garantien.

Det fuldt opladede løbehjul har en cirka standbytid på 120-180 dage. Hvis den ikke bruges i længere tid, skal den oplades hver 30. dag. Vær opmærksom på standby-tiden for at forhindre uoprettelig skade på batteriet forårsaget af manglende opladning.

ADVARSEL!

- Brug ikke batteripakker af andre modeller eller mærker, da der kan være en sikkerhedsrisiko.
- Brug kun den originale batterioplader for at undgå potentielt skade eller brand.
- Hvis batteriet er beskadiget eller gennemblødt med vand, må du ikke oplade eller fortsætte med at bruge det.
- Fjern ikke batteriet. Det er kompliceret at fjerne batteriet, og forkert betjening kan påvirke løbehjulets funktion.

Opbevaring

Hvis løbehjulet ikke skal bruges i en længere periode, skal den oplades helt, derefter slukkes og opbevares på et køligt, tørt sted. Genoplad løbehjulet mindst hver 2. måned for at forhindre batteriskader. Sørg for, at løbehjulet er slukket, når den transporteres og opbevares i dens originale emballage, hvis det er muligt.

ADVARSEL!

- Efterlad ikke løbehjulet under varm sol eller et stærkt fugtigt sted i længere perioder.
- Placer venligst ikke scooteren i nærheden af brændbare materialer.
- Dette produkt indeholder et indbygget lithiumbatteri og må kun transporteres, når det er tilladt i henhold til lokale love og regler.

Miljøinstruktioner

Løbehjulet indeholder en genopladelig lithium-ion batteripakke, og forkert bortskaffelse af disse batterier vil skade miljøet. Følg nedenstående trin for at fjerne batterierne, før du kasserer løbehjulet og kasser batterierne korrekt:

1. Før du fjerner batteriet, skal du slukke for strømmen og tømme det fuldt ud. Riv derefter fodpladen af og skru fastgørelsesboltene mellem pedalen og rammen af for at åbne fodpedalen.
2. Tag batteristikket ud, og fjern derefter batterierne. Beskadig ikke batterikassen for at undgå risiko for skader. Brug ikke batteriet, hvis det er beskadiget, har en mærkelig lugt, udsender røg eller bliver overophedet. Hold et utæt batteri væk fra andre genstande.
3. Bortskaf de fjernede batterier på et professionelt genbrugssted.

Vedligeholdelsesplan for løbehjul (anbefalet):

Regelmæssig vedligeholdelse af løbehjulet kan hjælpe med at holde det pæn og i god stand, undgå sikkerhedsrisici, minimere nedbrud, bremse forringelsen af løbehjulet og forlænge dets levetid.

Enhed	Serviceobjekt	Handlinger	Hver måned	Hver tredje måned	Hver 500 km/6 måneder	Hver 1000 km/1 år	Hver 10.000 km/3 år
Dæk	Slid på dæk	Tjek om dækket er revnet, deformeret, slidt etc.			√	√	√
Skruer	Monteringskruer til styret	Stram skruen, der forbinder styret med styrpinden (med det anbefalede drejningsmoment på $3,0 \pm 0,5$ N·m).		√	√	√	√
		Stram speederskruen (med det anbefalede drejningsmoment på $1,6 \pm 0,1$ N·m).					
		Stram bremsegrebskruen (med det anbefalede drejningsmoment på $5,5 \pm 0,5$ N·m).				√	√

Enhed	Serviceobjekt	Handlinger	Hver måned	Hver tredje måned	Hver 500 km/6 måneder	Hver 1000 km/1 år	Hver 10.000 km/3 år
Funktioner	Bremsejustering	Før du justerer, skal du sørge for, at løbehjulet er slukket og ikke bliver opladet. Værktøj: 5 mm unbrakonøgle (værktøjet skal forberedes af brugeren). Under justering skal du trække i enden af bremsekablet for at gøre kablet stramt. Bemærkninger: Hvis bremsen er for stram, bruges værktøjet til at dreje møtrikken på gevindstykket mod uret, så bremsekablets synlige nederste del gøres lidt kortere. Hvis bremsen er for løs, bruges værktøjet til at dreje møtrikken på gevindstykket med uret, så bremsekablets synlige nederste del gøres lidt længere.			✓	✓	✓
	Opladning	Oplad løbehjulet ved en passende temperatur. Indikatoren på batteriopladeren er rød, når løbehjulet oplades, og lyser grøn, når løbehjulet er fuldt opladet. Kontrolpanelet vil vise opladningsstatus samtidigt under opladning.			✓	✓	✓
	Styretøj	Drej styret 60° til venstre og højre for at sikre, at drejevinklen er korrekt, og at styringen er fri for modstand og stagnation.				✓	✓
Vigtige komponenter	Batterisamling	Oplad løbehjulet helt, inden du efterlader den ubrugt i længere tid, og tænd den for at oplade hver 60. dag.					✓

Hvis hjul, bremseklodser og andre sårbare dele er slidte eller beskadigede og skal udskiftes, bedes du kontakte eftersalgsservicen i tide.

For at finde en kvalificeret servicebutik, kontakt os via service@navee.tech/www.navee.tech

4. Specifikationer

Produkt	Navn	NAVEE El-løbehjul		
	Model	EasyRide 20-E	EasyRide 20-D	EasyRide 20-S
Dimensioner	Køretøj: L x B x H (mm) ^[1]	1093 x 466 x 1098		
	Efter foldning: L x B x H (mm)	1091 x 463 x 435		
Nettovægt	Køretøjets nettovægt (kg)	14,0		
Fører	Lasteområde (kg)	25-90		
	Alder (år)	16 - 50		
	Kropslængde (cm)	120 - 200		
Samlet el-løbehjul	Maks. hastighed (km/t)	25	20	20
	Generel rækkevidde (km) ^[2]	Ca. 20		
	Maks. stigningsvinkel (%)	Ca. 14		
	Egnede overflader	Cement- eller asfalterede veje med kanter på mindre end 1 cm eller revner, der er mindre end 3 cm.		
	Driftstemperatur (°C)	-10 til 40		
	Opbevaringstemperatur (°C)	-20 til 45		
	IP-klassificering	IPX5		
	Opladningstid (timer)	Ca. 6		
Batteripakke	Model	T2417-B63A		
	Nominal spænding (V DC)	21,6		
	Maks. ladespænding (V DC)	25,2		
	Nominal energi (Wh)	165,24		
	Avanceret batteristyringsystem	Beskyttelse mod overophedning, kortslutning, overspænding, overafledning og overopladning		
	Normalt ladetemperaturområde (°C)	0 til 40		
Hjulmotor	Nominal kapacitet (Ah)	7,65		
	Mærkeeffekt (kW, W)	0,3; 300	0,3; 300	0,25; 250
	Model ^[3]	FY0422521500E		
Batterioplader	Udgangseffekt (kW, W)	0,0378; 37,8		
	Indgang	100-240 V~ 50/60 Hz		
	Nominal effekt (VDC, A)	25,2; 1,5		
Dæk	For- og bagdæk	Vedligeholdelsesfrie indre hule dæk		
Bluetooth	Frekvensbånd (s)	2,4000-2,4835 GHz		
	Maks. RF-effekt (dBm)	8		

[1] Køretøjshøjde: Fra jorden til toppen af løbehjulet.

[2] Generel rækkevidde: Målt, når der ikke er nogen vind og ved 25 °C. Løbehjulet er fuldt opladet til at køre med en konstant hastighed på 15 km/t på fladt underlag med en last på 75 kg.

[3] Batteriet må udelukkende genoplades med den medfølgende batterioplader. Se parametrene for batteriopladeren i Specifikationer.

5. Certificeringer

Begrænsning af anvendelsen af visse farlige stoffer i elektrisk og elektronisk udstyr (ROHS)

Produktet fra SPACEWALKER PTE. LTD., og tilhørende dele (kabler, ledninger osv.) overholder begrænsningen af anvendelsen af visse farlige substanser i elektrisk og elektronisk udstyr i EU-direktiv 2011/65/EU, bilag II, som ændret ved EU-direktiv 2015/863/EU.

EU-overensstemmelseserklæring

CE Denne anordning overholder EU-kravene om begrænsning af eksponering af den generelle offentlighed for elektromagnetiske felter gennem sundhedsbeskyttelse.
Hermed erklærer SPACEWALKER PTE. LTD., at radioudstyret type: [EasyRide 20-E], [EasyRide 20-D] og [EasyRide 20-S] er i overensstemmelse med direktiv 2014/53/EU og 2006/42/EF. Allur textinn um samræmisýfirlýsingú ESB má nálgast á eftirfarandi vefslóð: www.naveetech.com

EU-overensstemmelseserklæring

Information om genanvendelse af batterier for EU



Batterier eller emballage til batterier er mærket i henhold til det europæiske direktiv 2006/66/EF og ændringen 2013/56/EU om batterier og akkumulatører og udtagne batterier og akkumulatører. Direktivet fastsætter lovgrundlaget for returnering og genanvendelse af udtagne batterier og akkumulatører og gælder i hele den Europæiske Union. Dette mærkat sættes på forskellige batterier for at angive, at batteriet ikke må smides ud, men skal genindsamles, når det er udtaget.

I overensstemmelse med det europæiske direktiv 2006/66/EF og ændringen 2013/56/EU skal batterier og akkumulatører mærkes for at angive, at de skal indsamles separat og genanvendes ved ophørt levetid. Mærkatet på batteriet kan også omfatte et kemisk symbol for det pågældende metal i batteriet (Pb for bly, Hg for kviksølv og Cd for cadmium). Brugere af batterier og akkumulatører må ikke bortskaffe batterier og akkumulatører som usorteret husholdningsaffald, men skal bruge det indsamlingssystem, der er tilgængelige for forbrugere, til returnering, genanvendelse og behandling af batterier og akkumulatører. Kundedeltagelsen er vigtig for at minimere potentielle virkninger af batterier og akkumulatører på miljøet og den menneskelige sundhed på grund af tilstedeværelsen af farlige substanser.

Før elektronisk og elektrisk udstyr (EEE) placeres i affaldsindsamlingskredslobet eller i affaldsindsamlingsfaciliteter, skal slutbrugeren af udstyr, der indeholder batterier og/eller akkumulatører, tage disse batterier og akkumulatører ud til separat indsamling.

Direktiv om affald af elektrisk og elektronisk udstyr (WEEE)



Ethvert produkt, der bærer dette symbol, er affald af elektrisk og elektronisk udstyr (WEEE som i direktiv 2012/19/EU), som ikke må blandes med usorteret husholdningsaffald. I stedet skal du beskytte den menneskelige sundhed og miljøet ved at overgive dit affaldsudstyr til et dertil beregnet indsamlingspunkt til genanvendelse af affald af elektrisk og elektronisk udstyr, som er udnævnt af de nationale eller lokale myndigheder. Korrekt bortskaffelse og genanvendelse vil bidrage til at forhindre potentielt negative konsekvenser for miljøet og den menneskelige sundhed. Kontakt installatøren eller de lokale myndigheder for at få flere oplysninger om lokationen samt vilkårene og betingelserne for sådanne.

Sikkerhedsadvarsel



Fare!
Læs brugsanvisningen før brug.



ADVARSEL!
Læs omhyggeligt og opbevar den til senere brug.



ADVARSEL
Varm overflade



Må ikke udsættes for fugt



Lys



SMPS med en kortslutningssikker sikkerhedsisolerende transformer (iboende eller ikke iboende)



SMPS (switch mode-strømforsyningsenhed)



Time-lag miniature sikring, hvor X er symbolet for tid/strøm-karakteristikken som angivet i IEC 60127.



ADVARSEL!
Kun til indendørs brug (til opladeren).



ADVARSEL
Apparat i klasse II



ADVARSEL
Skarpe kanter



≤ 5000m

Opladeren er beregnet til brug i højder, der ikke overstiger 5000 m.



Styrelys



Jævnstrøm



Vekselstrøm



Polaritet på opladerens udgang, center positiv

Batterioplader

ADVARSEL

1. Opladeren er kun beregnet til indendørs brug. Den må ikke udsættes for regn eller sne.
2. Må ikke bruges til ikke-genopladelige batterier, da de kan blive overophedede og gå i stykker.
3. Misbrug af andre typer batterier kan forårsage personskade og skader.
4. Batterier må ikke forbrændes, skilles ad eller kortsluttes.
5. Hvis batteriernes ydeevne forringes væsentligt, er det tid til at udskifte dem.
6. Opbevar opladeren på et køligt og tørt sted, når den ikke er i brug.
7. Afbryd strømforsyningen, før du foretager eller afbryder tilslutninger til batteriet.
8. Eksplosive gasser. Undgå flammer og gnister. Sørg for tilstrækkelig ventilation under opladning.
9. Under opladning skal batteriet placeres i et godt ventileret område.
10. Hold elektriske apparater uden for børns eller svage personers rækkevidde. Lad dem ikke bruge apparaterne uden opsyn.
11. Dette apparat er ikke beregnet til brug af personer (herunder børn) med nedsatte fysiske, sensoriske eller mentale evner, eller manglende erfaring og viden, medmindre de er blevet overvåget eller instrueret i brugen af apparatet af en person, der er ansvarlig for deres sikkerhed.
12. Dette apparat kan bruges af børn fra 8 år og opefter og personer med nedsatte fysiske, sensoriske eller mentale evner eller manglende erfaring og viden, hvis de er blevet overvåget eller instrueret i at bruge apparatet på en sikker måde og forstår de involverede farer. Børn må ikke lege med apparatet. Rengøring og brugervedligeholdelse må ikke foretages af børn uden opsyn.
13. Det eksterne fleksible kabel eller ledningen på denne transformer kan ikke udskiftes; hvis ledningen er beskadiget, skal transformatoren skrotes.
14. Hvis forsyningsledningen er beskadiget, skal den udskiftes med en speciel ledning eller samling, der kan fås hos producenten eller dennes serviceagent.

Instruktioner til opladning

1. Tilslut opladeren direkte til en strømkilde. Brug aldrig forlængertledninger.
2. Opladeren kan kun oplade lithium-ion-batterier.
3. Undgå omvendt opladning.
4. Opladerne er ikke beregnet til at oplade bilbatterier.

 aftagelig strømforsyningsdel

Batteripakke

ADVARSEL

1. Sekundære celler eller batterier må ikke afmonteres, åbnes eller makuleres.
2. Opbevar batterier utilgængeligt for børn. Børns brug af batterier skal overvåges. Hold især små batterier uden for små børns rækkevidde.
3. Søg straks lægehjælp, hvis en celle eller et batteri er blevet slugt.
4. Celler og batterier må ikke udsættes for varme eller ild. Undgå opbevaring i direkte sollys.
5. Kortslut ikke en celle eller et batteri. Opbevar ikke celler eller batterier tilfældigt i en kasse eller skuffe, hvor de kan kortslutte hinanden eller blive kortsluttede af andre metalgenstande.
6. Tag ikke en celle eller et batteri ud af den originale emballage, før det skal bruges.
7. Udsæt ikke celler eller batterier for mekaniske stød.
8. Hvis en celle lækker, må væsken ikke komme i kontakt med huden eller øjnene. Hvis der har været kontakt, skal du vaske det berørte område med rigelige mængder vand og søge lægehjælp.
9. Brug ikke andre opladere end dem, der specifikt leveres til brug sammen med udstyret.
10. Overhold plus (+) og minus (-) mærkerne på cellen, batteriet og udstyret, og sørg for korrekt brug.
11. Brug ikke celler eller batterier, som ikke er beregnet til brug sammen med udstyret.
12. Bland ikke celler af forskellig fabrikation, kapacitet, størrelse eller type i en enhed.
13. Køb altid det batteri, som producenten af udstyret anbefaler til udstyret.
14. Hold celler og batterier rene og tørre.
15. Tør celle- eller batteripolerne af med en ren, tør klud, hvis de bliver snavsede.
16. Sekundære celler og batterier skal oplades før brug. Brug altid den korrekte oplader, og se producentens instruktioner eller udstyrsmanualen for korrekte opladningsinstruktioner.
17. Lad ikke et batteri stå til opladning i længere tid, når det ikke er i brug.
18. Efter længere tids opbevaring kan det være nødvendigt at oplade og aflade cellerne eller batterierne flere gange for at opnå maksimal ydelse.
19. Opbevar den originale produktliteratur til fremtidig reference.
20. Brug kun cellen eller batteriet til den anvendelse, som det er beregnet til.
21. Fjern om muligt batteriet fra udstyret, når det ikke er i brug.
22. Bortskaf det korrekt.

1. Sikkerhetsinstruksjoner

VIKTIG! Pelase les nøye før du bruker produktet, og ta vare på det til senere bruk. For detaljert e-manuell, vennligst besøk www.naveetech.com

- Dette apparatet er ikke beregnet for bruk av personer (inkludert barn) med reduserte fysiske, sensoriske eller mentale evner, eller mangel på erfaring og kunnskap, med mindre de har fått tilsyn eller instruksjoner om bruk av apparatet av en person som er ansvarlig for deres sikkerhet.
Barn må holdes under oppsyn for å sikre at de ikke leker med apparatet.
- Dette apparatet er beregnet på ryttere over 8 år og personer med fysiske og personer med reduserte fysiske, sensoriske eller mentale evner eller mangel på erfaring og kunnskap hvis de har fått tilsyn eller instruksjoner om bruk av apparatet på en sikker måte og forstår farene som er involvert.
Barn skal ikke leke med apparatet. Rengjøring og brukervedlikehold skal ikke gjøres av barn uten tilsyn.
- Apparatet skal kun brukes sammen med strømforsyningsenheten som følger med apparatet.
- Før kjøring, bruk til enhver tid hjelm, hånd-/håndledd-beskyttelse, knebeskyttelse, albuebeskyttelse og annet beskyttelsesutstyr.
- Scooteren skal kun brukes av en person. Du er forpliktet til å alltid bruke sko. Ikke legg om bruken av dette kjøretøyet.
Dette produktet er kun beregnet på privat bruk, og er ikke beregnet på akrobatisk bruk.
- Produktet anbefales for ryttere over 16 år og under 50 år. Personer som ikke er egnet for å kjøre dette produktet inkluderer: (1) personer under påvirkning av alkohol eller narkotika, (2) personer som ikke er i stand til å delta i anstrengende fysiske aktiviteter på grunn av helsemessige eller fysiske forhold, (3) personer som ikke er i stand til å holde balansen eller som ikke kan holde balansen på grunn av svekkede motoriske ferdigheter, (4) personer hvis størrelse overstiger vektgrensen, (5) kvinner som er gravide, (6) personer som lider av syns- og/eller hørselshemminger.
- Følg lokale lover og forskrifter når du kjører dette produktet. Ikke kjør der det er forbudt i henhold til lokale lover.
- Når du sykler i land og regioner der det ikke er relevante nasjonale standarder og forskrifter for elektriske scootere, må du sørge for å overholde sikkerhetskravene for sjåfører i denne bruksanvisningen. SPACEWALKER PTE. LTD. vil ikke bære noe direkte ansvar og felles og flere ansvar for all eiendom, personlige tap, ulykker, juridiske tvister, og alle andre uønskede hendelser som forårsaker interessekonflikter forårsaket av bruk av atferd i strid med bruksanvisningen.
- Ikke kjør i kjørefelt eller boligområder der både kjøretøy og fotgjengere er tillatt. Når du passerer gjennom et sted utpekt for fotgjengere som har rett til rett til vei lover som crosswalk, vennligst gå av for å gå sammen med scooteren.
- Ikke velg steder der barn, fotgjengere, kjæledyr, kjøretøy, sykler eller andre hindringer og potensielle farer kan oppstå for din første tur.
- Krevde forberedelser for bruk av dette produktet inkluderer: Forsikre at styresystemet er skikkelig justert, at alt tilkoblet tilbehør (som foldesystemet) er skikkelig strammet og uskadet, og at bremsene og hjulene er i god stand.

- Utfør en grunnleggende inspeksjon av den elektriske scooteren før hver tur. Hvis det er unormale forhold som løse deler, varsler om lavt batterinivå, flate dekk eller overdreven slitasje på dekk, merkelige lyder, funksjonsfeil og andre unormale forhold, slutt å sykle umiddelbart og ring etter profesjonell støtte.
- Krevde forberedelser for bruk av dette produktet inkluderer: Forsikre at styresystemet er skikkelig justert, at alt tilkoblet tilbehør (som foldesystemet) er skikkelig strammet og uskadet, og at bremsene og hjulene er i god stand.
- For å sykle trygt, må du tydelig kunne se hva som er foran deg, og du må være tydelig synlig for andre.
- Ikke sykle i dårlig vær, lav sikt eller etter intens fysisk anstrengelse.
- Ikke skru på frontlyset og senk farten når du kjører i mørket.
- Forsikre deg om at støtten er plassert på en flat overflate og at sparkesykkelen er stabil nok til å stå alene før du forlater den.
- Denne elektriske scooteren er en fritidsenhet. Men når du går inn i et offentlig område, vil det bli ansett som et transportmiddel og underlagt mulige sikkerhetsrisikoer for alle transportmidler. Hvis du kjører strengt i henhold til instruksjonene i denne håndboken, vil du og andre i størst mulig grad beskytte deg og andre.
- Brukeren bør kontrollere bruksbegrensningene i henhold til lokale forskrifter. Kjør scooteren på veiene eller områdene som er tillatt i henhold til lokale forskrifter og lover, og parker den i de tillatte områdene. Maksimal hastighet på scooteren er begrenset til 25 km / t. Hvis de lokale forskriftene og lovene har forskjellige bestemmelser om maksimal hastighet, vil de lokale forskriftene og lovene ha forrang. Respekter og følg trafikksikkerhet og kjøretøyregler.
- Respekter fotgjengernes veirett. Prøv å ikke skremme dem mens du kjører, spesielt barn. Når du sykler bakfra fotgjengere, ring klokken for å gi dem en heads-up og sakte scooteren ned for å passere fra venstre, og hold til høyre i lav hastighet mens du sykler over dem (gjelder for land der kjøretøy kjører til høyre). Når du kjører over fotgjengere, må du holde den laveste hastigheten eller gå av kjøretøyet.
- I alle fall kan du forutse banen og hastigheten din mens du respekterer veikoden, koden til fortauet og de mest sårbare. Informer deg når du nærmer deg en fotgjenger eller syklist når du ikke blir sett eller hørt. Kryss de beskyttede passasjene mens du går. Kryss de beskyttede passasjene mens du går. Unngå områder med høy trafikk eller overbefolkede områder.
- Kjøring med høy hastighet eller en hastighet som ikke er passende eller tilstrekkelig for situasjonen (dårlige værforhold, dårlige overflateforhold eller lignende) kan føre til potensielt tap av stabilitet eller tap av kontroll. For å redusere risikoen må du følge alle instruksjonene i denne håndboken. Vær forsiktig når du monterer og demonterer produktet, det kan falle og forårsake skade.
- Trafikken i byen har mange hindringer å krysse, for eksempel fortauskanter eller trapper. Det anbefales å unngå hinderhopp. Det er viktig å forutse og tilpasse banen og hastigheten til en fotgjenger før du krysser disse hindringene. Det anbefales også å komme seg ut av kjøretøyet når disse hindringene blir farlige på grunn av form, høyde eller glidning.
- Ikke lån ut scooteren din til den som ikke kjenner operasjonene. Før du låner ut den elektriske scooteren til andre, må du sørge for at rytteren har lest denne bruksanvisningen og sett instruksjonsvideoen, og forstått den grunnleggende operasjonen. Minn rytterne på å bruke sikkerhetsbeskyttelse på riktig måte for å sikre passasjerenes sikkerhet.
- Kontakt selgeren for å få riktige opplæringsorganisasjoner.
- I alle tilfeller, ta vare på deg selv og andre.
- Enhver last som er festet til styret vil påvirke kjøretøyet stabilitet.

- Ikke berør bremsesystemet, det kan forårsake skader på grunn av skarpe kanter. Bremsen kan bli varm i bruk. Ikke berør etter bruk.
- Lydtrykknivået for A-vektet utslipp er mindre enn 70 dB(A).
- For en bedre kjøreopplevelse anbefales det å utføre et regelmessig vedlikehold av produktet.
- Fjern eventuelle skarpe kanter forårsaket av bruk.
- Tilbehør og eventuelle tilleggsartikler som ikke er godkjent av produsenten skal ikke brukes.
- Regelmessig vedlikehold av kjøretøyet er en viktig faktor for sikkerhet.
- De selvstrammende mutrene så vel som andre selvstrammende fester kan miste sin effektivitet og kan trenge etterstramming.
- Kontroller regelmessig strammingen av de forskjellige boltede elementene, spesielt hjulakslene, foldesystemet, styresystemet og bremseakselen.
- Ikke modifier eller transformer kjøretøyet, inkludert styrerøret og hylsen, stammen, foldemekanismen og bakbremsen.
- Ikke foreta noen modifikasjoner som ikke er nevnt i instruksjonene.
- Forsikre deg om at scooteren er slått av når den transporteres og oppbevares i originalemballasjen hvis mulig.
- For å unngå utilsiktede skader som elektrisk støt og brann forårsaket av feil bruk, vennligst les instruksjonene nøye før bruk, og oppbevar dem riktig for fremtidig bruk.
- Bruk dette produktet i henhold til instruksjonene i brukerhåndboken. Brukere er ansvarlige for eventuelle tap eller skader som oppstår som følge av feil bruk av dette produktet.
- Slå av kjøretøyet eller sett det i ikke-operasjonell modus under lading.
- Ikke lad hvis ladeporten eller ladekabelen er våt. Les denne bruksanvisningen nøye før lading.
- Ikke lad scooteren ved en omgivelsestemperatur over 40 ° C eller under 0 ° C.
- Hold god avstand når scooteren kjøres på en jevn vei uten stigning. Bremselengden vil øke i vått vær.
- Støtdempingen på dette produktet kan ikke justeres (hvis aktuelt).
- Spårkesykkelen er ikke beregnet for bruk i høyder over 2000 m over havet.
- Apparatet skal kobles fra strømkilden under service og ved utskifting av deler.
- Den eksterne fleksible kabelen eller ledningen til denne transformatoren (laderen) kan ikke skiftes ut; hvis ledningen er skadet, skal transformatoren (laderen) kasseres.
- Hvis den eksterne fleksible kabelen eller kabelen til denne transformatoren er skadet, må den byttes ut av produsenten, serviceagenten deres eller lignende kvalifisert person for å unngå fare.
- Hvis forsyningskabelen er skadet, må den byttes av produsenten, serviceagenten deres eller lignende kvalifisert person for å unngå fare.
- Dette apparatet inneholder batterier som kun kan byttes av kvalifiserte personer.
- This appliance contains batteries that are only replaceable by skilled persons.
- **ADVARSEL: Når det gjelder lading av batteriet, må du bare bruke den avtakbare tilførselsenheten som følger med dette apparatet. Ikke bruk batterilader fra andre produkter. Hold**

trygg avstand til de omkringliggende brennbare brennbare når du lader.

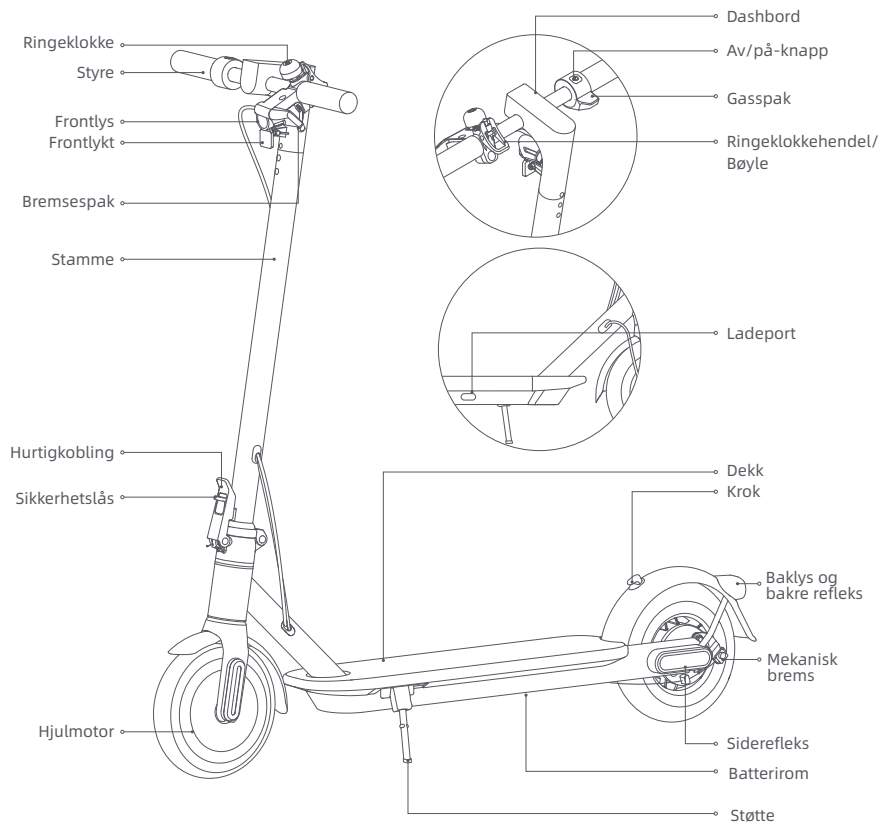
- **ADVARSEL:** Ikke bruk noe tredjepartsbatteri eller batterilader. Skal bare brukes med FY0422521500E forsyningsenhet.
- **ADVARSEL!** Hold plastdekselet unna barn for å unngå kvelning.
- **ADVARSEL!** Bruk aldri produktet i nærheten av en vannkilde.
- **ADVARSEL!** Slutt å bruke produktet når det er skadet.
- **ADVARSEL!** Som med alle mekaniske komponenter, er et kjøretøy utsatt for høye belastninger og slitasje. De ulike materialene og komponentene kan reagere forskjellig på slitasje eller tretthet. Hvis forventet levetid for en komponent er overskredet, kan den brytes plutselig, og dermed risikere å forårsake skader på brukeren. Sprekker, riper og misfarging i områdene med høy belastning indikerer at komponenten har overskredet levetiden og ta kontakt med en autorisert eller spesialisert reparatør.

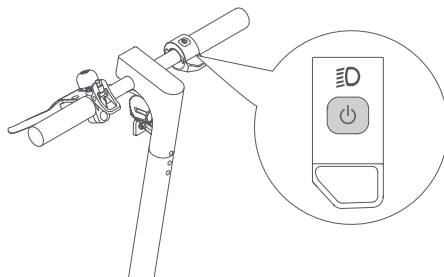
Vær oppmerksom på fare for klemskader på hender og klempnker på følgende steder under bruk:



1. Mellom styret og styrestammen når styret monteres.
2. Åpninger på hjulene.
3. Mellom frontskjermen og brettet.
4. Mellom hurtigutløseren og hurtigutløserlåsen, og mellom foldeskjøten og styrestammen når du folder eller folder ut.
5. Mellom skjermene og hjulene.

2. Produktoversikt

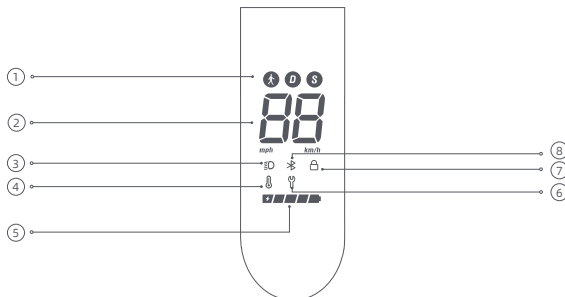
Elsparkeykkel






Av/på-knapp: Trykk på knappen  for å slå på scooteren, og hold inne knappen  i 2 til 3 sekunder for å slå av scooteren. Når scooteren er på, trykker du én gang for å slå av/på frontlykten og baklyset, og trykk to ganger for å endre kjøremodus.

Dashbord



① Kjøremodus:  er for gangmodus, og den maksimale hastigheten er 6 km / t. D er for standardmodus. S er for sportsmodus.

- ② Speedometer: Den viser gjeldende hastighet når scooteren fungerer. Når scooteren har et problem, viser den en feilkode. Når scooteren lades, viser den gjeldende batterinivå.
- ③ Lys: Når sparkesykkelen er på, trykker du på av/på-knappen for å slå på/av frontlyset og baklyset. Alternativt kan du aktivere den automatiske lysfølsomme funksjonen via APP-en. Under kjøreturen vil frontlyset og baklyset slås på/av automatisk basert på lysstyrken i omgivelsene.
- Merk: Hvis du slår lyset på eller av manuelt etter at du har aktivert den automatiske lysføljingsfunksjonen, vil denne funksjonen deaktiveres midlertidig. Du må starte den elektriske sparkesykkelen på nytt for at den skal tre i kraft.
- ④ Temperatur Advarsel: Hvis batteritemperaturen er for høy eller for lav, vil termometerikonet være på. Bruk eller lad scooteren etter at batteritemperaturen er tilbake til det normale driftsområdet.
- ⑤ Batterinivå: Batteristrømmen indikeres med 5 stolper, som hver representerer omtrent 20 % av et fullt batteri.
- ⑥ Feilmelding: Når skiftenøkkelikonet viser rødt, indikerer det at scooteren har en feil.
- ⑦ Lås: Når ikonet lyser, indikerer det at scooteren er låst. Du kan låse/låse opp scooteren via NAVEE-appen.
- ⑧ Bluetooth: Bluetooth-ikonet er alltid på, noe som indikerer at scooteren har blitt koblet til den mobile enheten.

3. Pleie og vedlikehold

Renhold

Under rengjøring må du kontrollere at scooteren er slått av, at ladekabelen er koblet fra og at gummiklaffen er lukket.

Tørk av hovedunderstellet med en myk, fuktig klut, og smuss som er vanskelig å fjerne, kan skrubbes med tannbørste. Tørk deretter av alle områder med en tørr klut.

ADVARSEL!

- Ikke vask scooteren med høytrykksvannspray.
- Ikke rengjør scooteren med etsende rengjøringsmiddel, noe som vil skade scooterens ytre og indre struktur.

Batteri

Lad alltid opp før du bruker batteriet til å forlenge batteriets levetid.

Når du sykler, lagrer eller lader, må du ikke overskride den angitte temperaturgrensen (se spesifikasjoner). Unnlattelse av å følge instruksjonene for bruk, lagring eller lading kan føre til batteriskade, manglende lading og ugyldig garanti.

Den fulladde scooteren har en omtrentlig standby-tid på 120-180 dager. Hvis den ikke brukes på lang tid, bør den belastes hver 30. Vær oppmerksom på standby-tiden for å forhindre irreversibel skade på batteriet forårsaket av ikke lading.

ADVARSEL!

- Ikke bruk batteripakker av andre modeller eller merker, da det kan være en sikkerhetsrisiko.
- Bruk kun den originale batteriladeren for å unngå potensiell skade eller brann.
- Hvis batteriet er skadet eller gjennomvåt med vann, må du ikke lade eller fortsette å bruke det.
- Ikke ta ut batteriet. Fjerning av batteriet er komplisert, og feil drift kan påvirke driften av scooteren.

Lagring

Hvis scooteren ikke skal brukes i en lengre periode, lad den helt, slå den av og oppbevar den på et kjølig, tørt sted. Lad opp scooteren minst annenhver måned for å forhindre batteriskade. Forsikre deg om at scooteren er slått av når den transporteres og oppbevares i originalemballasjen hvis mulig.

ADVARSEL!

- Vennligst ikke la scooteren stå under varm sol eller alvorlig fuktig sted i lengre perioder.
- Vennligst ikke plasser sparkesykkelen i nærheten av brennbare materialer.
- Dette produktet inneholder et innebygd litiumbatteri og må kun transporteres når det er tillatt i henhold til lokale lover og forskrifter.

Miljøinstrukser

Scooteren inneholder en oppladbar litium-ion batteripakke, og feil avhenging av disse batteriene vil forårsake skade på miljøet. Følg trinnene nedenfor for å ta ut batteriene før du kaster scooteren og kast batteriene riktig:

1. Før du tar ut batteriet, må du slå av og tømme det i full grad. Riv deretter fotputen og skru løs festeboltene mellom pedalen og rammen for å åpne fotpedalen.
2. Trekk ut støpselet fra batterikontakten, og ta deretter ut batteriene. Ikke skad batterihuset for å unngå fare for personskader. Ikke bruk batteriet hvis det er skadet, har en merkelig lukt, avgir røyk eller blir overopphetet. Hold et lekkende batteri borte fra andre gjenstander.
3. Kast de utmonterte batteriene på et profesjonelt resirkuleringsanlegg.

Vedlikeholdsplan for sparkesykkel (anbefales):

Vedlikehold av scooteren regelmessig kan bidra til å holde scooteren ryddig og i god stand, unngå sikkerhetsrisikoer, minimere sammenbrudd, redusere forringelsen av scooterens levetid.

Vare	Tjenesteobjekt	Handlinger	Hver måned	Hver tredje måned	Hver 500 km/6 måneder	Hvert 1000 km/1 år	Hvert 10000 km/3 år
Dekk	Dekk sliteløse slitasje	Kontroller om dekket er sprukket, deformert, slitt osv.			√	√	√
Skruer	Skruer på styrets montering	Stram skruen som forbinder styrets montering med stammeenheten (med det anbefalte dreiemomentet på $3,0 \pm 0,5$ N·m).		√	√	√	√
		Stram akseleratorskruen (med det anbefalte dreiemomentet på $1,6 \pm 0,1$ N·m).					
		Stram bremsehåndtaksskruen (med det anbefalte dreiemomentet på $5,5 \pm 0,5$ N·m).				√	√

Vare	Tjenesteobjekt	Handlinger	Hver måned	Hver tredje måned	Hver 500 km/6 måneder	Hvert 1000 km/1 år	Hvert 10000 km/3 år
Funksjoner	Justering av bremsler	Forsikre deg om at scooteren er av og ikke lader før du gjør noen justeringer. 5 mm sekskantnøkkel, som verktøy (verktøyet må klargjøres av brukeren). Trekk i bremsekabelens ende mens du justerer for å stramme kabelen. Notater: · Når bremsen er for stram, bruk verktøyet til å vri mutteren på skruestangen mot klokken, for å forkorte bremsekabelens synlige bunndel. Når bremsen er for løs, bruk verktøyet til å vri mutteren på skruestangen med klokken, for å forlenge bremsekabelens synlige bunndel.			√	√	√
	Lading	Lad scooteren ved en passende temperatur. Indikatoren på batteriladeren er rød når scooteren lades, og blir grønn når scooteren er fulladet. Kontrollpanelet viser ladestatusen samtidig under lading.			√	√	√
	Styring	Drei styret 60° til venstre og høyre for å sikre at dreievinkelen er riktig og at styringen er fri for motstand og stagnasjon.				√	√
Viktige komponenter	Montering av batteri	Lad scooteren helt før du lar den stå ubrukt i lang tid, og slå den på for å lade hver 60.					√

Hvis hjul, bremseklosser og andre utsatte deler er slitt eller skadet og må skiftes ut, må du kontakte kundeservice i tide.

For å finne en kvalifisert servicebutikk, kontakt oss via service@navee.tech/www.navee.tech

4. Spesifikasjoner

Produkt	Navn	NAVEE elektrisk scooter		
	Modell	EasyRide 20-E	EasyRide 20-D	EasyRide 20-S
Dimensjoner	Kjøretøy: L × B × H (mm) ^[1]	1093 × 466 × 1098		
	Etter sammenlegging: L × B × H (mm)	1091 × 463 × 435		
Nettvekt	Kjøretøyets nettvekt (kg)	14,0		
Rytter	Lastområde (kg)	25-90		
	Alder (år)	16 - 50		
	Kroppslengde (cm)	120 - 200		
Montert elektrisk sparkesykkel	Makshastighet (km/t)	25	20	20
	Generell rekkevidde (km) ^[2]	Om lag 20		
	Maks klatrevinkel (%)	Om lag 14		
	Egnede overflater	Sement eller asfaltvei, med benker på mindre enn 1 cm eller sprekker smalere enn 3 cm.		
	Driftstemperatur (°C)	-10 til 40		
	Oppbevaringstemperatur (°C)	-20 til 45		
	IP-klassifisering	IPX5		
	Ladetid (h)	Om lag 6		
Batteripakke	Modell	T2417-B63A		
	Merkespenning (VDC)	21,6		
	Maks ladespenning (VDC)	25,2		
	Energimerking (Wh)	165,24		
	Intelligent batteristyringssystem	beskyttelse mot overoppheting, kortslutning, overstrøm, overutladning og overladning		
	Normalt ladetemperaturområde (°C)	0 til 40		
	Merkeytelse (Ah)	7,65		
Hjulmotor	Merkeeffekt (kW; W)	0,3; 300	0,3; 300	0,25; 250
Batterilader	Modell ^[3]	FY0422521500E		
	Utgangseffekt (kW; W)	0,0378; 37,8		
	Inngang	100-240 V~ 50/60 Hz		
	Merkespenning (VDC; A)	25,2; 1,5		
Dekk	For- og bakhjul	Vedlikeholdsfri indre hulldekk		
Bluetooth	Frekvensbånd	2,4000-2,4835 GHz		
	Maks. Hf-effekt (dBm)	8		

[1] Kjøretøyhøyde: fra bakken til toppen av sparkesykkelen.

[2] Generelt område: målt når det ikke er noen vind og ved 25 °C, sparkesykkelen er fulladet til å kjøre med en konstant hastighet på 15 km/t på en flat overflate med en last på 75 kg.

[3] For å lade opp batteriet bruk kun laderen som følger med i pakken. Se laderparametre i Spesifikasjoner.

5. Sertifiseringer

Direktivet for begrensning av farlige stoffer (RoHS)

Dette produktet fra SPACEWALKER PTE. LTD., med inkluderte deler (kabler, ledninger osv.) oppfyller begrensningene for bruk av visse farlige stoffer i elektrisk og elektronisk utstyr 2011/65/EU vedlegg II og dets endringsdirektiv (EU) 2015/863.

EU-samsvarserklæring



Denne enheten oppfyller EU-kravene til begrensning av eksponering for allmennheten for elektromagnetiske felt gjennom helsebeskyttelse. SPACEWALKER PTE. LTD. erklærer herved at radioutstyrstypen [EasyRide 20-E], [EasyRide 20-D] og [EasyRide 20-S] er i samsvar med direktiv 2014/53/EU og 2006/42/EF. Den fullstendige teksten i EUs samsvarserklæring er tilgjengelig på følgende Internett-adresse: www.naveetech.com

EU-samsvarserklæring

Batterigjenvinningsinformasjon for EU



Batterier eller emballasjen til batteriene er merket i samsvar med EU-direktivet 2006/66/EC og endringer 2013/56/EU med hensyn til batterier og akkumulatører samt kasserte batterier og akkumulatører. Direktivet fastsetter rammeverket for returnering og resirkulering av brukte batterier og akkumulatører som gjelder over hele EU. Denne merkingen brukes for ulike batterier for å angi at batteriet ikke skal kastes, men resirkuleres ved endt levetid i henhold til direktivet.

I samsvar med EU-direktivet 2006/66/EC og endringer 2013/56/EU er batterier og akkumulatører merket for å angi at de skal samles inn separat og resirkulert ved endt levetid. Merket på batteriet kan også inkludere et kjemisk symbol for metallet som inngår i batteriet (Pb for bly, Hg for kvikksølv og Cd for kadmium). Brukere av batterier og akkumulatører må ikke kaste batteriene og akkumulatører som usortert husholdningsavfall, men bruke returordninger beregnet for forbrukere for retur, resirkulering og behandling av batterier og akkumulatører. Det er viktig at kundene bidrar til å minimere batterienes og akkumulatorenes mulige påvirkning på miljøet og menneskers helse på grunn av farlige innholdsstoffer.

Før kassering av elektrisk og elektronisk utstyr (EEE) sammen med husholdningsavfallet eller på gjenvinningsanlegg, må brukeren av utstyr som inneholder batterier og/eller akkumulatører fjerne batteriene og akkumulatorene for separat behandling.

Kassering av elektrisk og elektronisk utstyr (WEEE)



Alle produkter som bærer dette symbolet er elektrisk og elektronisk avfall (WEEE som i direktiv 2012/19/EU) som ikke skal blandes med usortert husholdningsavfall. I stedet bør du beskytte menneskers helse og miljø ved å overlevere e-avfallet til et utpekt innsamlingssted for resirkulering av elektrisk og elektronisk utstyr, oppnevnt av myndighetene eller lokale myndigheter. Riktig avhending og resirkulering vil bidra til å forhindre potensielle negative konsekvenser for miljøet og menneskers helse. Ta kontakt med installatøren eller lokale myndigheter for mer informasjon om stedet samt vilkår og betingelser for slike innsamlingspunkter.

Sikkerhetsadvarsel



Fare!
Les brukerhåndboken før bruk.



ADVARSEL!
Les nøye og ta vare på den for fremtidig bruk.



ADVARSEL
Varm overflate



Må ikke utsettes for fuktighet



Lys



SMPS med kortslutningssikker si
kkerhetsisolasjonstransformator
(innebygd eller ikke innebygd)



SMPS (strømforsyningsenhet
med brytermodus)



Miniatyrsikring med tidsforsinkelse,
der X er symbolet for tid/strøm-
karakteristikken i henhold til IEC 60127.



ADVARSEL!
Kun for innendørs bruk (for laderen).



ADVARSEL
Apparat i klasse II



ADVARSEL
Skarpe kanter



≤ 5000m

Laderen er beregnet for bruk i høyder
som ikke overstiger 5000 m.



Styrelys



Likestrøm



Vekselstrøm



Polaritet på laderens
utgang, senter positiv


Batterilader

ADVARSEL

1. Laderen er kun beregnet for innendørs bruk. Ikke utsett den for regn eller snø.
2. Må ikke brukes til ikke-oppladbare batterier, da de kan bli overopphetet og gå i stykker.
3. Misbruk av andre typer batterier kan føre til at de sprekker og forårsaker personskader.
4. Batterier må ikke brennes, demonteres eller kortsluttes.
5. Hvis ytelsen til batteriene reduseres betydelig, er det på tide å bytte ut batteriene.
6. Oppbevar laderen på et kjølig og tørt sted når den ikke er i bruk.
7. Koble fra strømforsyningen før du kobler til eller fra batteriet.
8. Eksplosive gasser. Unngå flammer og gnister. Sørg for tilstrekkelig ventilasjon under lading.
9. Under lading må batteriet plasseres i et godt ventilert område.
10. Hold elektriske apparater utilgjengelig for barn og personer med nedsatt funksjonsevne. Ikke la dem bruke apparatene uten tilsyn.
11. Dette apparatet er ikke beregnet på å brukes av personer (inkludert barn) med reduserte fysiske, sensoriske eller mentale evner eller manglende erfaring og kunnskap, med mindre de har fått tilsyn eller instruksjoner om bruk av apparatet av en person som er ansvarlig for deres sikkerhet.
12. Dette apparatet kan brukes av barn fra 8 år og oppover og personer med reduserte fysiske, sensoriske eller mentale evner eller mangel på erfaring og kunnskap hvis de har fått tilsyn eller instruksjon om bruk av apparatet på en sikker måte og forstår farene som er involvert. Barn skal ikke leke med apparatet. Rengjøring og brukervedlikehold skal ikke utføres av barn uten tilsyn.
13. Den utvendige fleksible kabelen eller ledningen til denne transformatoren kan ikke byttes ut; hvis ledningen er skadet, skal transformatoren kasseres.
14. Hvis tilførselsledningen er skadet, må den erstattes med en spesiell ledning eller enhet som er tilgjengelig fra produsenten eller dennes serviceagent.

Instruksjoner for lading

1. Koble laderen direkte til en strømkilde. Bruk aldri skjøteledning.
2. Laderen kan bare lade litium-ion-batterier.
3. Unngå omvendt lading.
4. Laderen er ikke beregnet for lading av bilbatterier.

 avtakbar strømforsyningsdel

Batteripakke

ADVARSEL

1. Ikke demonter, åpne eller makulere sekundærceller eller batterier.
2. Hold batteriene utilgjengelig for barn. Bruk av batterier av barn bør overvåkes. Hold spesielt små batterier utilgjengelig for små barn.
3. Oppsøk lege umiddelbart hvis en celle eller et batteri har blitt svelget.
4. Ikke utsett celler eller batterier for varme eller ild. Unngå oppbevaring i direkte sollys.
5. Ikke kortslutt en celle eller et batteri. Ikke oppbevar celler eller batterier tilfeldig i en eske eller skuff der de kan kortslutte hverandre eller bli kortsluttet av andre metallgjenstander.
6. Ikke ta ut celler eller batterier fra originalemballasjen før de skal brukes.
7. Ikke utsett celler eller batterier for mekaniske støt.
8. Hvis en celle skulle lekke, må væsken ikke komme i kontakt med hud eller øyne. Hvis du kommer i kontakt med væsken, må du vaske det berørte området med store mengder vann og oppsøke lege.
9. Ikke bruk andre ladere enn de som er spesifikt beregnet for bruk sammen med utstyret.
10. Vær oppmerksom på pluss- (+) og minusmerkene (-) på cellen, batteriet og utstyret, og sørg for korrekt bruk.
11. Ikke bruk celler eller batterier som ikke er beregnet for bruk sammen med utstyret.
12. Ikke bland celler av forskjellig fabrikat, kapasitet, størrelse eller type i en enhet.
13. Kjøp alltid det batteriet som produsenten av enheten anbefaler for utstyret.
14. Hold celler og batterier rene og tørre.
15. Tørk av celle- eller batteripolene med en ren, tørr klut hvis de blir skitne.
16. Sekundære celler og batterier må lades før bruk. Bruk alltid riktig lader, og se produsentens instruksjoner eller utstyrshåndboken for riktige ladeinstruksjoner.
17. Ikke la et batteri stå på lading over lengre tid når det ikke er i bruk.
18. Etter lengre tids lagring kan det være nødvendig å lade og utlade cellene eller batteriene flere ganger for å oppnå maksimal ytelse.
19. Ta vare på den opprinnelige produktliteraturen for fremtidig bruk.
20. Bruk cellen eller batteriet kun til det formålet det er beregnet på.
21. Ta om mulig batteriet ut av utstyret når det ikke er i bruk.
22. Kast det på riktig måte.

Valmistajan rajoitettu takuukortti

Tämä on valmistajan rajoitettu takuu ("rajoitettu takuu") kaikille kuluttajille tarkoitetuille Navee-sähkökoottereille. Tässä rajoitetussa takuussa kuvataan käytettävissäsi oleva palvelu, jos tuotteesi vaatii takuuhuoltoa, ja sinulla saattaa olla lisäsuojaa paikallisen lainsäädännön mukaan.

TÄMÄ TAKUU ANTAA SINULLE ERITYISIÄ LAILLISIA OIKEUKSIA, JA SINULLA VOI OLLA MYÖS OIKEUKSIA, JOTKA VAIHTELEVAT MAITTAIN JA OSAVALTIOITTAIN.

Rajoitetun takuun määrittelevät asiakirjat ovat tämä lehti ja alkuperäinen ostokuitti tuotteesi ostamisesta. Säilytä tämä asiakirja ja alkuperäinen ostokuitti takuuhuollon säilyttämiseksi.

Kun ostat tuotteen, suosittelemme, että täytät selkeästi seuraavat tiedot ja kiinnität myyntipakkauksen sinetin suojellaksesi oikeutettuja oikeuksiasi ja etujasi;

Tuotteen ostotiedot	Asiakkaan nimi		Sähköpostiosoite	
	Yhteystiedon numero		Ostokanava	
	Tuotteen malli		Ostopäivä	
	Tuotteen SN		Laskun numero	



Valmistajan rajoitettu takuukortti

Ota yhteyttä

 Palvelun sähköpostiosoite: service@navee.tech

Lisätietoja tuotteista ja palveluista saat NAVEE:n virallisilta verkkosivuilta: <https://service.naveetech.com/>. Verkkosivuston kautta voit katsella tuotteiden teknisen tuen videoita ja löytää paikallisen huoltokeskuksen ja yksityiskohtaiset takuukäytännöt.

Myyntinälkeisen huoltoprosessin aikana asiakkaiden on mahdollisesti toimitettava tämä takuukortti, ostotodistus ja asiaankuuluvat vastaanottajan tiedot. NAVEE varmistaa, että asiakkaan antamia asiaankuuluvia tietoja käytetään vain asiakkaan palvelujen tarjoamiseen.



Tillverkarens begränsade garantikort

Detta är tillverkarens begränsade garanti ("Begränsad garanti") för alla Navee elektriska scootrar för konsumenter. Denna begränsade garanti beskriver den service som är tillgänglig för dig i händelse av att din produkt kräver garantiservice, och du kan ha ytterligare skydd enligt dina lokala lagar.

DENNA GARANTI GER DIG SPECIFIKA JURIDISKA RÄTTIGHETER, OCH DU KAN OCKSÅ HA RÄTTIGHETER SOM VARIERAR FRÅN LAND TILL LAND OCH FRÅN DELSTAT TILL DELSTAT.

Detta blad och originalkvittot från köpet av din produkt är de dokument som definierar den begränsade garantin. Behåll detta dokument och originalkvittot för att bevara din garantiservice.

När du köper produkten rekommenderar vi att du tydligt fyller i följande information och anbringar försäljningsstämpeln för att skydda dina legitima rättigheter och intressen;

Information om produktköp	Kundens namn		E-post	
	Kontaktnummer		Köpkanal	
	Produktmodell		Inköpsdatum	
	Produktens SN		Fakturanummer	



Tillverkarens begränsade garantikort

Kontakta oss

 E-post för service: service@navee.tech

För mer information om produkter och tjänster, besök NAVEE:s officiella webbplats: <https://service.naveetech.com/> Du kan se videor om teknisk support för produkter och hitta lokala servicecenter och detaljerad garantipolicy via webbplatsen.

Under serviceprocessen efter försäljning kan kunderna behöva tillhandahålla detta garantikort, inköpsbevis och relevant information om mottagaren. NAVEE kommer att se till att den relevanta information som tillhandahålls av kunden endast används för att tillhandahålla tjänster till kunden.



Producentens begrænsede garantikort

Dette er producentens begrænsede garanti («Begrænset garanti») for alle Navee el-scootere til forbrugere. Denne begrænsede garanti beskriver den service, der er tilgængelig for dig, hvis dit produkt kræver garantiservice, og du kan have yderligere beskyttelse i henhold til din lokale lovgivning.

DENNE GARANTI GIVER DIG SPECIFIKKE JURIDISKE RETTIGHEDER, OG DU KAN OGSÅ HAVE RETTIGHEDER, DER VARIERER FRA LAND TIL LAND OG FRA STAT TIL STAT.

Dette ark og den originale købskvittering for købet af dit produkt er de dokumenter, der definerer den begrænsede garanti. Opbevar venligst dette dokument og den originale købskvittering for at bevare din garantiservice.


Når du køber produktet, anbefaler vi, at du tydeligt udfylder følgende oplysninger og anbringer salgsseglet for at beskytte dine legitime rettigheder og interesser;

Oplysninger om produktkøb	Kundens navn		E-mail	
	Kontaktnummer		Købskanal	
	Produktmodel		Købsdato	
	Produktets SN		Fakturanummer	



Producentens begrænsede garantikort

Kontakt til os

 Service-e-mail: service@navee.tech

For mere information om produkter og tjenester, besøg venligst NAVEEs officielle hjemmeside: <https://service.naveetech.com/> Du kan se videoer om teknisk produktsupport og finde lokale servicecentre og detaljeret garantipolitik via hjemmesiden.

Under eftersalgsserviceprocessen skal kunderne muligvis fremlægge dette garantikort, købsbevis og relevante oplysninger om modtageren. NAVEE vil sikre, at de relevante oplysninger fra kunden kun bruges til at levere tjenester til kunden.



Produsentens begrensede garantikort

Dette er produsentens begrensede garanti («Begrenset garanti») for alle Navee elektriske sparkesykler for forbrukere. Denne begrensede garantien beskriver servicen som er tilgjengelig for deg i tilfelle produktet ditt krever garantiservice, og du kan ha ytterligere beskyttelse i henhold til lokale lover.

DENNE GARANTIE GIR DEG SPESIFIKKE JURIDISKE RETTIGHETER, OG DU KAN OGSÅ HA RETTIGHETER SOM VARIERER FRA LAND TIL LAND OG FRA STAT TIL STAT.

Dette arket og den opprinnelige kvitteringen for kjøpet av produktet er de dokumentene som definerer den begrensede garantien. Ta vare på dette dokumentet og den opprinnelige kjøpskvitteringen for å bevare garantiservicen.

Når du kjøper produktet, anbefaler vi at du fyller ut følgende informasjon tydelig og påfører salgsseglet for å beskytte dine legitime rettigheter og interesser;

Informasjon om produktkjøp	Kundens navn		E-post	
	Kontaktnummer		Kjøpskanal	
	Produktmodell		Kjøpsdato	
	Produkt SN		Fakturanummer	



Produsentens begrensede garantikort

Kontakt oss

 Service-e-post: service@navee.tech

For mer informasjon om produkter og tjenester, vennligst besøk NAVEEs offisielle nettside: <https://service.naveetech.com/> Du kan se videoer om teknisk produktstøtte og finne lokale servicesentre og detaljerte garantiregler via nettsiden.

Under ettersalgsserviceprosessen kan det hende at kundene må oppgi dette garantikortet, kjøpsbevis og relevant informasjon om mottakeren. NAVEE vil sørge for at relevant informasjon fra kunden kun brukes til å yte tjenester til kunden.



- * Les illustrations de ce manuel sont fournies à titre de référence uniquement, le produit reçu fait foi.
- * Die Abbildungen in diesem Handbuch dienen nur als Referenz, das tatsächliche Aussehen ist abhängig vom jeweiligen Produkt.
- * As ilustrações neste manual são apenas para referência, a aparência real deve ser sujeita ao produto real.
- * Ilustracje w niniejszej instrukcji mają charakter poglądowy, a ich rzeczywisty wygląd zależy od konkretnego produktu.



EU REP

Brightway Technology (Netherlands) B.V.
Weerdestein 97, 1083 GG, Amsterdam,
Noord Holland, The Netherlands
info-EU@navee.tech

For more information & after-sales support, contact us via service@navee.tech/www.naveetech.com

Manufactured by: SPACEWALKER PTE. LTD.

Address: 60 PAYA LEBAR ROAD #07-54 PAYA LEBAR SQUARE SINGAPORE (409051)

E-mail: service@navee.tech

Made in China

Original instructions