
项目名称

T2214 (美规)

版本号

PVT.0

设计时间

20230209

物料名称

使用说明书

设计师

鲁凡如

审核

鲁凡如 20230421

批准

杨晓 20230421

料号

40150500000209

材质工艺要求:

材质要求: 封面 157g 金东太空梭哑粉纸, 覆哑膜; 内页 68g 晨鸣云镜, 胶装

颜色及专色: Pantone Cool Gray 11C

尺寸要求: 140*140mm

认证要求: 测试标准: 包装指令 94/62/EC

变更履历:

NAVEE Electric Scooter

EN User Manual

FR-CA Manuel Utilisateur

SPU: S65C



1. Safety Instructions

IMPORTANT SAFETY INSTRUCTIONS

When using an electrical appliance, basic precautions should always be followed, including the following: READ ALL INSTRUCTIONS BEFORE USING (THIS APPLIANCE). Failure to follow the warnings and instructions may result in electric shock, fire and/or serious injury.

SAVE THESE INSTRUCTIONS


Prolonged Exposure to UV Rays, Rain and the Elements May Damage the Enclosure Materials, Store Indoors When Not in Use.

WARNING – To reduce the risk of injury, user must read instruction manual

- The scooter shall be used by one person only. Shoes must be worn while riding. Do not use the scooter for other purpose. This scooter is not intended for acrobatic use.
- The product is recommended for riders above age of 16 and below age of 50. People who are not suitable for riding this product include: (1) persons under the influence of alcohol or drugs, (2) persons unable to engage in strenuous physical activities due to health or physical conditions, (3) persons who are incapable of keeping their balance or who cannot keep their balance due to impaired motor skills, (4) persons whose size exceeds the weight limit, (5) women who are pregnant, (6) persons who suffer from visual and/or hearing impairments.
- Comply with local laws and regulations when riding this product. Do not ride where prohibited by local laws.
- When riding in countries and regions where there are no relevant national standards and regulations for electric scooters, please be sure to strictly abide by the safety requirements for drivers in this operation manual. Brightway innovation Intelligent Technology (Suzhou) Co., Ltd. will not bear any direct responsibility and joint and several liability for all property, personal losses, accidents, legal disputes, and all other adverse events that cause conflicts of interest caused by the use of behaviors in violation of the instructions for use.
- Do not ride in traffic lanes or residential areas where vehicles and pedestrians are both allowed. When passing through a place designated for pedestrians who are entitled to the right-of-way laws like crosswalk, please get off to walk along with the scooter.
- Do not choose places where children, pedestrians, pets, vehicles, bicycles or other obstacles and potential dangers may appear for your first ride.
- Perform a basic inspection of the electric scooter before each ride. If there are abnormal conditions such as loose parts, low battery alerts, flat tires or excessive wear of tires, strange sounds, malfunctions and other abnormal conditions, stop riding immediately and call for professional support.
- To ride safely, you must be able to clearly see what is in front of you and you must be clearly visible to others.
- Do not ride in bad weather, low visibility, or after intense physical exertion.
- Always park the scooter with kickstand on an even and stable surface.
- This electric scooter is a leisure device. However, when entering a public area, it will be considered a means of transportation and subject to possible safety risks for all means of transportation. Riding in strict accordance with the instructions in this manual will protect you and others to the greatest extent.

- The user should check the limits of use in accordance with the local regulations. Ride the scooter on the roads or areas permitted by local regulations and laws and park it in the areas permitted. The maximum speed of the scooter is limited to 19.9 mph (32 km/h). If the local regulations and laws have different provisions on the maximum speed, the local regulations and laws will prevail. Please respect and follow the road safety and vehicle rules.
- Respect pedestrians' Right of Way. Try not to startle them while driving, especially children. When you ride from behind pedestrians, ring your bell to give them a heads-up and slow your scooter down to pass from their left, and keep to the right at a low speed while riding across them (applicable to countries where vehicles drive on the right). When you drive across pedestrians, keep the lowest speed or getting off the vehicle.
- In any case, anticipate your trajectory and your speed while respecting the code of the road, the code of the sidewalk and the most vulnerable. Notify your presence when approaching a pedestrian or cyclist when you are not seen or heard. Cross the protected passages while walking. Cross the protected passages while walking. Avoid high traffic areas or overcrowded areas.
- Riding with high speed or a speed that is not appropriate or adequate for the situation (bad weather conditions, bad surface conditions, or the like) may lead into a potential loss of stability or loss of control. To reduce any risk, you must follow all instructions in this manual. Be careful when mounting and dismantling the product, it may fall and cause injury.
- Traffic in the city has many obstacles to cross such as curbs or steps. It is recommended to avoid obstacle jumps. It is important to anticipate and adapt your trajectory and speed to those of a pedestrian before crossing these obstacles. It is also recommended to get out of the vehicle when these obstacles become dangerous due to their shape, height or slippage.
- Do not lend your scooter to whoever does not know the operations. Before lending the electric scooter to others, please make sure that the rider has read this instruction manual and watched the instruction video, and understood the basic operation. Remind riders to wear safety protection correctly to ensure the safety of riders.
- Contact your seller for appropriate training organizations.
- In all cases, take care of yourself and others.
- Any load attached to the handlebar will affect the stability of the vehicle.
- Do not touch the brake system, it could cause injuries due to sharp edges. The brake may become hot in use. Do not touch after use.
- The A-weighted emission sound pressure level is less than 70 dB(A).
- For a better riding experience, it is recommended to carry out a regular maintenance of the product.
- Eliminate any sharp edges caused by use.
- Accessories and any additional items which are not approved by the manufacturer shall not be used.
- Regularly check the tightening of the various bolted elements, in particular the wheel axles, the folding system, the steering system and the brake shaft.
- Make sure the scooter is turned off when being transported and kept in its original packaging if possible.
- In order to avoid accidental injuries such as electric shock and fire caused by improper use, please read the instructions carefully before use, and keep them properly for future reference.
- Please use this product in accordance with the instructions in the User Manual. Users are responsible for any loss or damage arising from improper use of this product.
- Do not charge if the charge port or charge cable is wet. Read this manual carefully before charging.

- Do not charge the scooter at an ambient temperature above 40°C or below 0°C.
- Personal e-mobility devices not intended for use in high altitude locations, which may require increased electrical spacings in electrical circuits, shall indicate that they are not intended for use at elevations greater than 2000 m above sea level.
- **WARNING:** For the purposes of recharging the battery, only use the detachable supply unit provided with this appliance. Do not use a battery charger from any other product. Keep a safe distance from the surrounding combustibles when charging.
- **WARNING:** Do not use any third-party battery or battery charger. Use only with FY-4202000 supply unit.
- **WARNING!** Keep plastic covering away from children to avoid suffocation.
- **WARNING!** Never use the product close to a water source.
- **WARNING!** Stop using the product when damaged.
- **WARNING** – Risk of Fire and Electric Shock – No User Serviceable Parts.

 detachable power supply part

Environmental Instructions

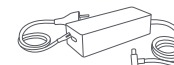
The scooter contains a rechargeable lithium-ion battery pack, and improper disposal of these batteries will cause harm to the environment. Follow the steps below to remove the batteries before disposing of the scooter and discard the batteries properly:

1. Before removing the battery, power off and drain it to the full extent. Then tear the footpad and unscrew the fixing bolts between the pedal and frame to open the foot pedal.
2. Unplug the battery connector, and then remove the batteries. Do not damage the battery case to avoid any risk of injuries.
3. Discard the removed batteries at a professional recycling facility.

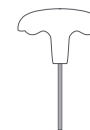
2. Package Contents



User manual



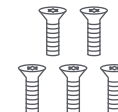
Battery Charger



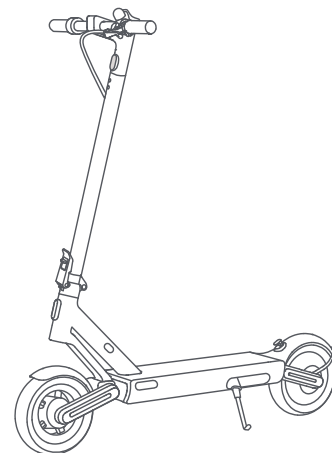
Allen Key



Extension Nozzle



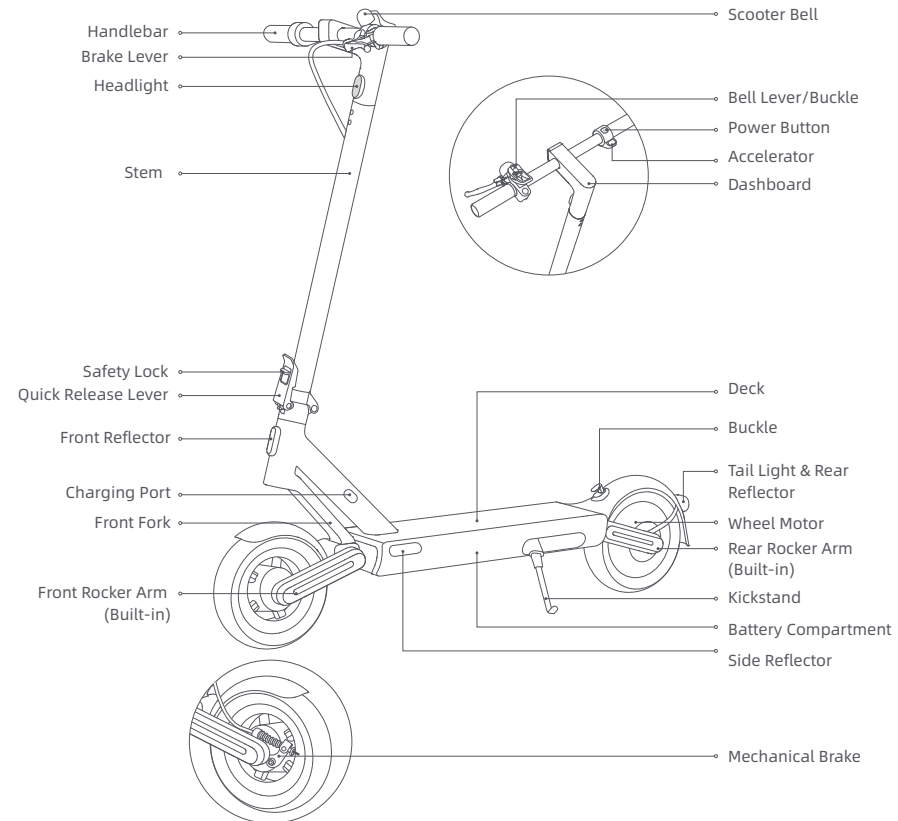
Screw x 5



Electric Scooter

3. Product Overview

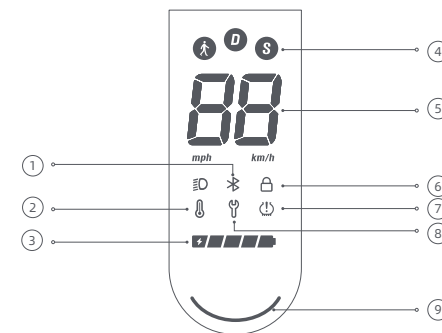
Electric Scooter



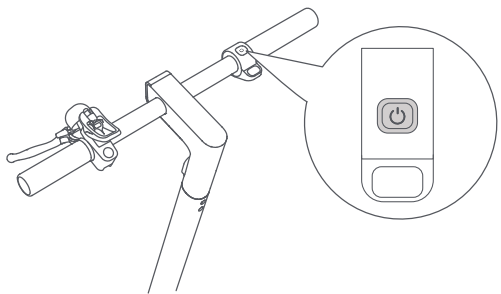
05 The illustrations in this manual are for reference only, the actual appearance shall be subject to actual product.



3. Product Overview

Dashboard



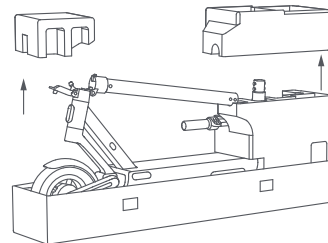
- ① Bluetooth: The Bluetooth icon is always on, indicating that the scooter has been successfully connected to the mobile device.
- ② Temperature Warning: If the battery temperature is too high or too low, the thermometer icon will be on. Use or charge the scooter after its battery temperature returns to the normal operating range.
- ③ Battery Level: The battery power is indicated by 5 bars, each representing approximately 20 % of a full battery.
- ④ Riding Modes: 🚶 is for walking mode, and its maximum speed is 6 km/h. D is for standard mode. S is for sport mode.
- ⑤ Speedometer: It displays the current speed when the scooter is working. When the scooter has an issue, it displays an error code. When the scooter is charging, it displays the current battery level.
- ⑥ Lock: When the icon lights up, it indicates that the scooter is locked. You can lock/unlock the scooter via the Mi Home/Xiaomi Home app.
- ⑦ Inflation: When the inflation icon is on, it means that it is time to maintain the tires.
Tips: After maintenance, follow the instructions on the APP or press the brake and power key at the same time to turn off the inflation reminder on the dashboard.
- ⑧ Error Notification: When the wrench icon displays red, it indicates that the scooter has an error.
- ⑨ Status Light



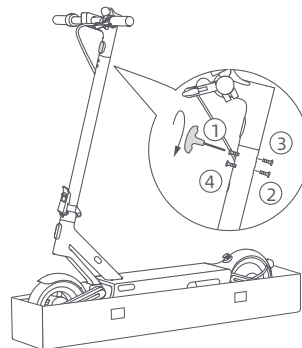
Power Button: Press the button  to turn the scooter on, and hold the button  for 2 to 3 seconds to turn the scooter off. When the scooter is on, press once to turn on/off the headlight and tail light, and press twice to change riding modes.

Note: The scooter will turn off automatically when it enters standby mode for more than 10 minutes. The standby mode means that the scooter is being charged or not locked when it is on and not running.

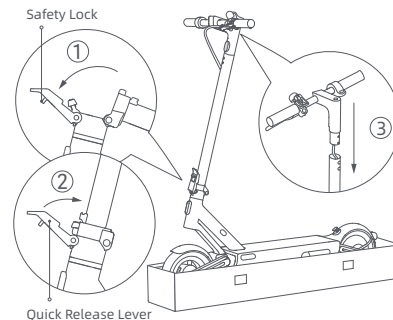
4. Assembly



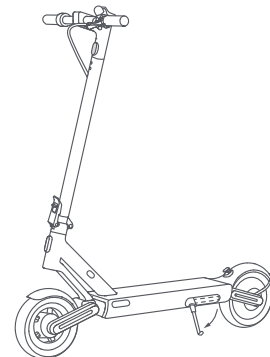
- 1 Remove the inner holders.



- 3 Follow the number order as illustrated to pre-tighten the four screws with the included Allen key. Make sure the handlebar is correctly installed and then tighten the screws thoroughly.

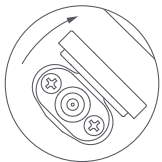


- 2 Erect the vertical stem to a complete upright position, lift up the safety lock and push the folding wrench inward tightly. Install the handlebar onto the stem, and make sure to install the handlebar in the correct direction.

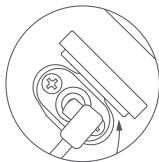


- 4 Once the scooter is assembled, take out the scooter and put down the kickstand.

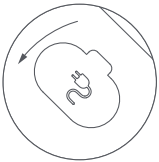
5. Charging



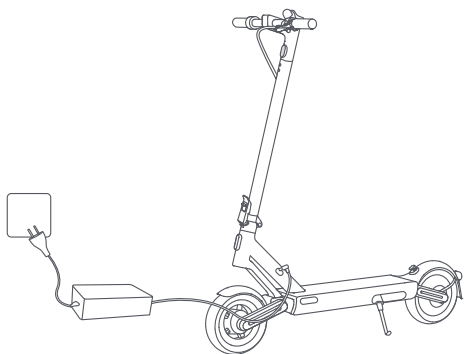
1. Open the charging port cover.



2. Plug the battery charger into the charging port.



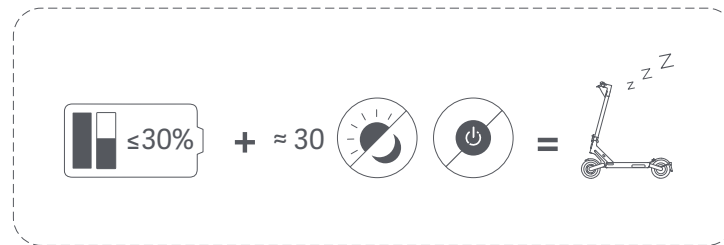
3. After charging, pull the plug and close the charging port cover tightly.



The scooter is fully charged when the LED on the battery charger changes from red to green.

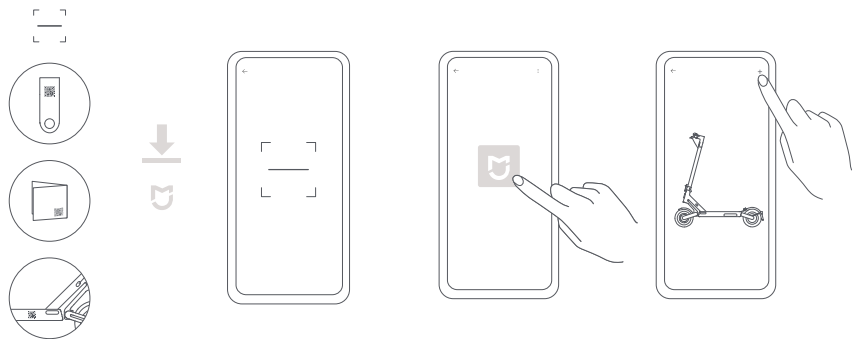
WARNING!

- Only use the original battery charger to avoid potential damage or fire. Switch off the vehicle or into a certain non-operational mode during charging.
- Do not charge when the charging port or power cord is wet. If the battery is damaged or soaked with water, it is forbidden to charge or continue to use the battery



When the scooter is turned off for about a month with the battery level of the scooter being lower than 30%, the scooter will enter sleep mode. In this case, the scooter cannot be turned on. To exit the sleep mode, charge the scooter for about three seconds to activate the battery.

6. Connect with Mi Home/Xiaomi Home App



1. Scan the QR code on the scooter, located on the right side of the footboard, or on the back cover of the user manual to download the Mi Home APP.

2. Open the Mi Home/Xiaomi Home app. Tap "+" on the top right corner and open "Scan" to scan the QR code again. Then follow the instructions in the app to add the scooter.

Note:

- The QR code is unique to your scooter, please keep it safe.
- When connecting the scooter to the Mi Home/Xiaomi Home app, place your phone to the scooter as close as possible to make sure it is within the effective Bluetooth range.
- If change the account, delete the scooter from the account it is paired with first, then reconnect the scooter with the Mi Home/Xiaomi Home app.

Reset Bluetooth

Make sure the scooter is turned on. Squeeze the brake lever, and press the power button 5 times to reset. When the scooter beeps, it has been reset successfully.

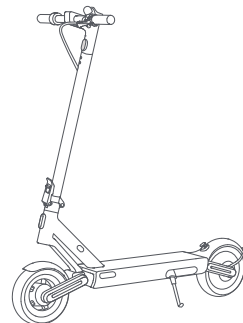
Restore Factory Settings

Make sure the scooter is turned on. Squeeze the brake lever, and simultaneously press and hold the power button for 7 seconds. When you hear a beep, the scooter has been restored to factory settings. This operation will completely delete the data stored in the scooter, please proceed with caution.

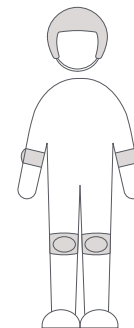
Note: The scooter cannot be restored to factory settings during riding or when locked.

7. How to Ride

Before riding

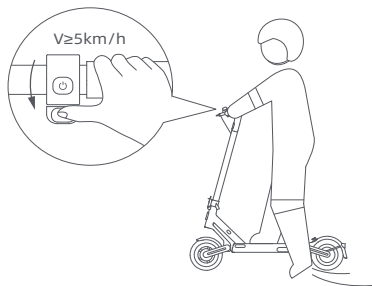


Before each ride, please check the status of your scooter, including tire performance, remaining battery level and scooter body state, and ensure that no part is loose or damaged.



Before riding, please wear helmets, knee pads, elbow pads, and other protective gear at all times.

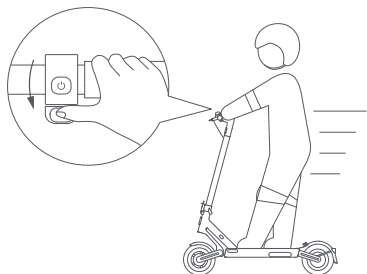
Starting & Accelerating



Step on the deck with one foot, and slowly kicks off the other on the ground. When the scooter starts to coast, put both feet on the deck and gently press the accelerator.

Tips: For your riding safety, the motor will not start until the speed reaches 5km/h.

Decelerating & Braking & Parking

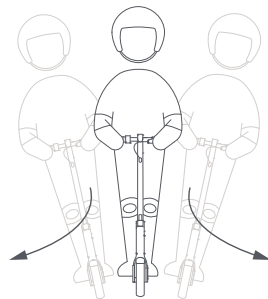


Release the accelerator to slow down, and squeeze the brake lever for a sudden brake.

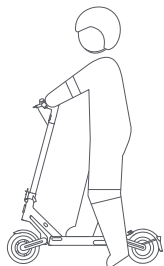


WARNING: To avoid others using the scooter without your permission, you can lock the scooter when it is parked.

Steering



Tilt your body to the steering direction as you turn, and slowly turn the handlebar.



When the scooter slows down or stops, put one foot on the ground to get off the scooter. Put down the kickstand when parking the scooter.

8. Lock/Unlock Your Scooter

When the scooter is locked, the motor is locked and all the icons on the control panel will automatically go out except the Bluetooth icon and the lock icon. If the scooter goes beyond the Bluetooth connection range, the Bluetooth will be disconnected and its icon will go out.

After the scooter is locked in the app, the motor will be locked and the power button will not function. If the scooter is moved forcibly, its front wheel cannot move normally, and it will have a rolling resistance accompanied by the buzzer alarm and a vibrating alert on the phone. This function cannot prevent the scooter from being stolen, please keep your scooter safe. The scooter will automatically turn off after 24 hours of being locked, and it will remain locked when turned on again. To unlock the scooter, tap "Unlock" in the app. Locking the scooter will consume the scooter's power, please use this function wisely.

Note: The phone will vibrate only if the page of the scooter in the Mi Home/Xiaomi Home app is open.

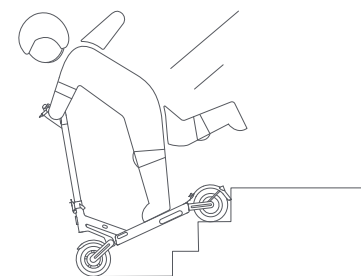


Precautions

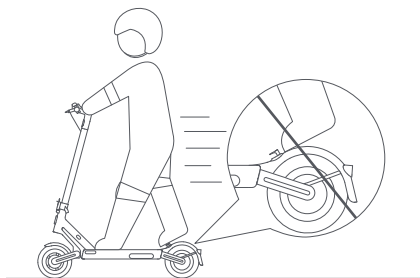
Note: Before using the product, please carefully read and abide by the following important safety information.



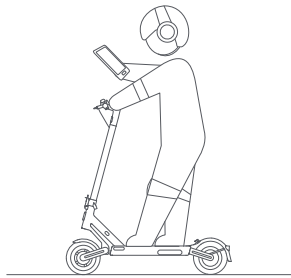
This product can only be used by one person, do not carry others at the same time.



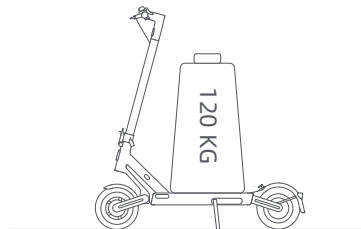
Do not try riding up or down stairs, nor try jumping over obstacles.



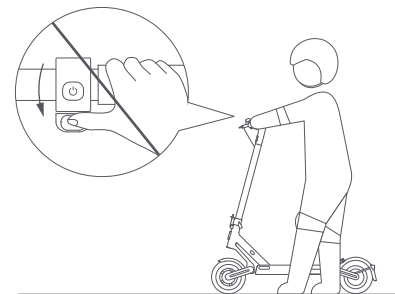
⊗ Do not keep your feet on the rear mudguard.



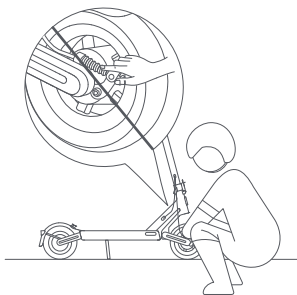
⊗ Do not use mobile phone or wear earphones when operating the scooter.



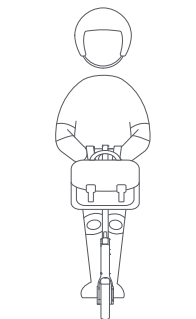
⊗ Do not use this product beyond the maximum load (120 kg) as specified by this product.



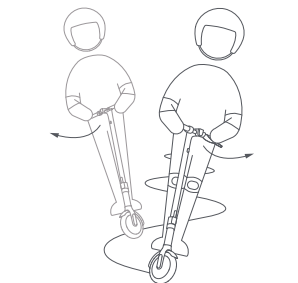
⊗ Do not press the accelerator when you're walking alongside the scooter.



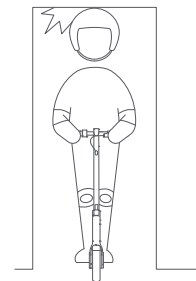
⊗ Do not touch the mechanical brake.



⊗ Do not hang bags or other heavy stuff on the handlebar.



⊗ Do not abruptly change the steering direction at high speed.



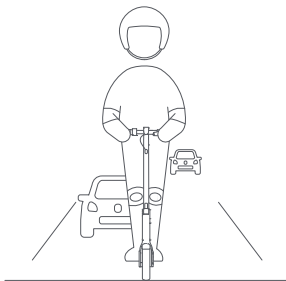
⊗ Avoid hitting your head on door frames, elevators, and other overhead obstacles.



Please don't ride in bad weathers such as rain, snow, fog, hail, and when the road is slippery or icy. If you encounter the above situations on the way, please do not make an emergency break. Keep your distance and slow down to get off. You can walk with your scooter or fold it up for transportation.



Do not make dangerous actions during riding, such as riding with one leg or one hand. Make sure that both legs and hands are kept on the electric scooter.



Unless otherwise authorized by the local laws, it is forbidden and illegal to ride on public roads, motorways, and expressways.

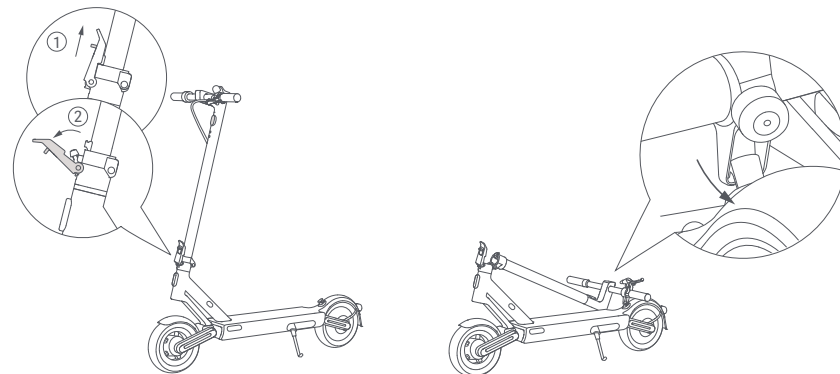


In case of uneven roads or other poor road conditions, please slow down in time and ride carefully, slow down or get off the vehicle. Scooter is special riding products. Please try to ride on flat roads without potholes.

9. Fold/Unfold & Carry

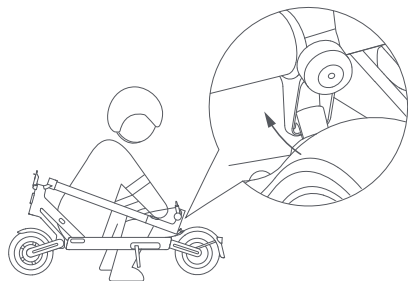
The scooter **MUST** be turned off before being folded.

Fold



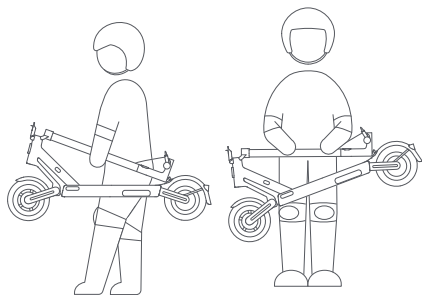
Hold the stem, lift the safety lock and open the quick release lever. Lift the safety lock and push down the quick release lever again, then fold the stem.

Align the buckle with the hook and secure them together.



Align the buckle with the hook and secure them together.

Safety Tips: When lifting the stem of the scooter, NEVER put your hands between the joints as may result in serious injuries.



Hold the stem with either one hand or both hands to carry.

10. Care & Maintenance

Cleaning

Before cleaning the scooter, you must turn off the power, unplug the charging cables and close the charging cover tightly.

Wipe the main chassis with a soft damp cloth, the hard-to-remove dirt can be scrubbed with a toothbrush. Afterwards, wipe all areas with a dry cloth.

WARNING!

- Do not wash the scooter with a high-pressure water spray.
- Do not clean the scooter with corrosive cleaner, which will damage the external and internal structure of the scooter.

Battery

Always charge before exhausting the battery to prolong the battery's lifespan.

When riding, storing or charging, do not exceed the specified temperature limit (refer to specifications). Failure to follow instructions for use, storage or charging may result in battery damage, failure to charge and void warranty.

The fully charged scooter has an approximate standby time of 120-180 days. If it is not used for a long time, it should be charged every 30 days. Please pay attention to the standby time to prevent irreversible damage to the battery caused by not charging.

WARNING!

- Do not use battery packs of other models or brands, as there may be a safety risk.
- Only use the original battery charger to avoid potential damage or fire.
- If the battery is damaged or soaked with water, do not charge or continue to use it.
- Do not remove the battery. Removing the battery is complicated, and improper operation may affect the operation of the scooter.

Storage

If the scooter will not be used for an extended period, fully charge it, then turn it off and store it in a cool, dry place. Make sure the scooter is turned off when being transported and kept in its original packaging if possible.

WARNING!

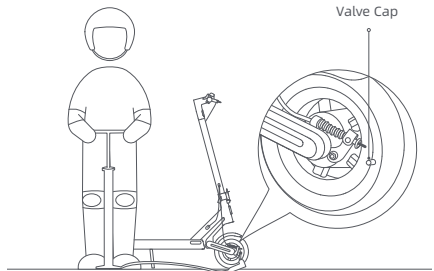
- Please do not leave the scooter under hot sun or severely humid place for extended periods of time.
- Please do not place the scooter near flammable materials.
- This product contains a built-in lithium battery and must be transported only when permitted by local laws and regulations.

Inflate the Tire

Check the tire pressure every month, and inflate the tires if the pressure is too low. The recommended tire pressure is 45-50 psi.

If there is a lack of air in the front and rear tires, you may use the extended nozzle supplied with the scooter to inflate tires. First connect the extension nozzle with air pump, then unscrew the front (rear) tire valve cap, and connect the extension nozzle and the valve securely together, then inflate the tire.

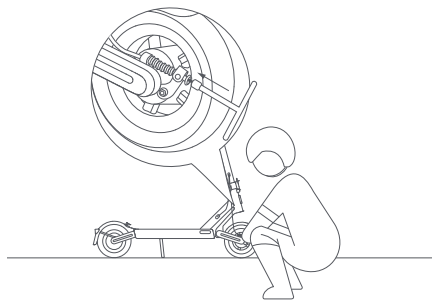
WARNING! Tire removal is very complicated. Please do not remove the tire by yourself. Improper operation may affect the operation of the scooter. Please contact professional support.



Adjust the Mechanical Brake

Tool: 4 mm hex key (the tool needs to be prepared by the user).

Before adjusting, make sure the scooter is turned off and not charging. When the brake is too tight, use the tool to turn the nut on the screw rod counterclockwise, so as to slightly shorten the brake cable's exposed bottom part. When the brake is too loose, use the tool to turn the nut on the screw rod clockwise, so as to slightly lengthen the brake cable's exposed bottom part.



WARNING ! As with any mechanical component, a vehicle is subject to high stresses and wear. The various materials and components may react differently to wear or fatigue. If the expected service life for a component has been exceeded, it may break suddenly, therefore risking causing injuries to the user. Cracks, scratches and discoloration in the areas subject to high stresses indicate that the component has exceeded its service life and please contact an authorized or a specialized repairer.

Scooter Maintenance Schedule (Recommended)

Maintaining the scooter regularly can help keep the scooter neat and in good condition, avoid safety hazards, minimize breakdowns, slow down the deterioration of the scooter, and extend the scooter's service life.

Item	Service Object	Actions	Every month	Every 3 months	Every 500 km/6 months	Every 1000 km/1 year	Every 10000 km/3 years
Tires	Tire Pressure	Inflate the tire until its pressure reaches 45-50 psi.	√		√	√	√
	Tire Tread Wear	Check whether the tire is cracked, deformed, worn, etc.			√	√	√
Screws	Handlebar Assembly Screws	Tighten the screw that connects the handlebar assembly with the stem assembly (with the recommended torque of 4.8 ± 0.2 N·m).		√	√	√	√
		Tighten the accelerator screw (with the recommended torque of 1.6 ± 0.1 N·m).					
		Tighten the brake lever screw (with the recommended torque of 5 ± 0.2 N·m).				√	√

Item	Service Object	Actions	Every month	Every 3 months	Every 500 km/6 months	Every 1000 km/1 year	Every 10000 km/3 years
Functions	Brake Adjustment	Before adjusting, make sure the scooter is turned off and not charging. Tool: 4 mm hex key (the tool needs to be prepared by the user). When the brake is too tight, use the tool to turn the nut on the screw rod counterclockwise, so as to slightly shorten the brake cable's exposed bottom part. When the brake is too loose, use the tool to turn the nut on the screw rod clockwise, so as to slightly lengthen the brake cable's exposed bottom part. · The scooter is tested under the conditions of a load of 75 kg, and running at 19.9 mph (32 km/h).			√	√	√
	Charging	Charge the scooter at a suitable temperature. The indicator on the battery charger is red when the scooter is charging, and turns green when the scooter is fully charged. The control panel will show the charging status simultaneously during charging.			√	√	√
	Steering	Turn the handlebar 60° to the left and right to make sure the turning angle is correct and the steering is free from resistance and stagnation.				√	√
Important Components	Battery Assembly	Fully charge the scooter before leaving it unused for a long time, and turn it on to charge every 60 days.					√

11. Specifications

Product	Name	NAVEE Electric Scooter
	Model	NKT2214-D32
Dimensions	Vehicle: L × W × H ^[1]	48.4 × 21.0 × 50.6 in (1230 × 533 × 1285 mm)
	After Folding: L × W × H	48.4 × 20.9 × 20.4 in (1230 × 530 × 570 mm)
Net Weight	Vehicle Net Weight	59.5 lbs (27 kg)
Rider	Load Range	55.1 - 264.6 lbs (25-120 kg)
	Age (years)	16-50 years
	Body Length	3'11"-6'6"(120-200 cm)
Assembled Electric Scooter	Max. Speed	19.9 mph (32 km/h)
	General Range ^[2]	Approx. 35.1 miles (65 km)
	Max. Climbing Angle	Approx. 22%
	Suitable Surfaces	Cement or asphalt road, with benches of less than 1 cm or crevices narrower than 3 cm
	Operating Temperature	14-104 °F (-10 to 40 °C)
	Storage Temperature	-4-113 °F (-20 to 45 °C)
	IP Rating	IP55
Battery Pack	Charging Time	Approx. 8 h
	Model	T2214-BA3B
	Nominal Voltage	36.5 V ⁻⁻⁻
	Max. Charge Voltage	42 V ⁻⁻⁻
	Rated Energy	547.5 Wh
	Intelligent Battery Management System	Over-heating, short circuit, over-current, over-discharge, and over-charge protection
	Normal Charging Temperature Range	32-113 °F (0 to 45 °C)
	Rated Capacity	15 Ah
Wheel Motor	Rated Power	450 W (0.45 kW)
	Model ^[3]	FY-4202000
Battery Charger	Output Power	84 W (0.084 kW)
	Input Voltage	100-240 V~
	Max. Output Voltage	42 V ⁻⁻⁻
	Rated Output	41 V ⁻⁻⁻ 2.0 A
Tire	Front & Back Tires	10-inch Tubeless Self-sealing Tires
Bluetooth	Frequency Band	2.4000 - 2.4835 GHz
	Max. RF Power	8 dBm

[1] Vehicle height: From the ground to the top of the scooter.

[2] General range: Measured when there is no wind and at 77 °F (25 °C), the scooter is fully charged to ride at a constant speed of 9.3 mph (15 km/h) on a flat surface with a load of 165.3 lbs (75 kg)

[3] To recharge the battery, only use the battery charger provided in the package. Please see battery charger parameters in Specifications.

12. Trademark and Legal Statement

'NAVEE' is a registered trademark of Brightway Ltd., and all rights are reserved.

13. Safety Warning



WARNING
Sharp Edges



WARNING
Hot Surface



WARNING
Do Not Disassemble



WARNING
Crush Hazard



WARNING
Mind Your Hand



WARNING
Pinch Point

14. Troubleshooting

Error Codes	Reasons	Solutions
10	Dashboard failure	Please timely contact after-sales service for detection and repair.
11/12/28/29/40	Controller failure	
14	Accelerator failure	Please check that the accelerator is returned to its position, otherwise it cannot run normally. Please timely contact after-sales service for detection and repair if the accelerator wiring harness is loose or damaged.
15	Brake failure	Please check that the brake lever is returned to its position, otherwise it cannot run normally. Please timely contact after-sales service for detection and repair if the accelerator wiring harness is loose or damaged.
18	Motor failure	Please timely contact after-sales service for detection and repair.
21/24/39	Battery pack failure	
45	Controller over temperature	Let the scooter cool down, and do not use it until the temperature has returned to normal.
50	Battery pack over temperature	
52/53	Battery pack communication fault, verification failure	Try to restart the scooter to restore it. If it cannot be restored, contact after-sales service for detection and repair.

15. Certification

FCC Supplier's Declaration of Conformity

This supplier's declaration of conformity is hereby for

Product: NAVEE Electric Scooter

Model Number(s): NKT2214-D32

Brand/Trade: NAVEE

We declare that the above mentioned device has been tested and found in compliance with CFR 47 Part Regulation.

Responsible Party—U.S.Contact Information

Company: Brightway Innovation Intelligent Technology (Suzhou) Co., Ltd.

Address: Building A2, Shangjinwan Headquarters Economic Park, No.2288, Wuzhong Avenue, Wuzhong Economic Development Zone, Suzhou Jiangsu P.R. China

Country: China

FCC Compliance Statement for USA

This device complies with part 15 of the FCC Rules. Operation is subject to the following two conditions:

1. This device may not cause harmful interference.

2. This device must accept any interference received, including interference that may cause undesired operation.

This equipment has been tested and found to comply with the limits for a Class B digital device, pursuant to part 15 of the FCC Rules. These limits are designed to provide reasonable protection against harmful interference in a residential installation. This equipment generates uses and can radiate radio frequency energy and, if not installed and used in accordance with the instructions, may cause harmful interference to radio communications. However, there is no guarantee that interference will not occur in a particular installation. If this equipment does cause harmful interference to radio or television reception, which can be determined by turning the equipment off and on, the user is encouraged to try to correct the interference by one or more of the following measures:

- Reorient or relocate the receiving antenna.
- Increase the separation between the equipment and receiver.
- Connect the equipment into an outlet on a circuit different from that to which the receiver is connected.
- Consult the dealer or an experienced radio/TV technician for help.

FCC Note

Changes or modifications not expressly approved by the party responsible for compliance could void the user's authority to operate the equipment.

FCC Radiation Exposure Statement

The device has been evaluated to meet general RF exposure requirement.

The device can be used in portable exposure condition without restriction.

Industry Canada (IC) Compliance Statement for Canada

This device complies with Industry Canada license-exempt RSS standard (s). Operation is subject to the following two conditions: (1) this device may not cause interference, and (2) this device must accept any interference, including interference that may cause undesired operation of the device.

This product complies with the IC RF exposure limit set forth for an uncontrolled environment and is safe for intended operation as described in this manual.

FCC ID: 2A4GZ-S654501C

IC: 28570-S654501C

16. Warranty

If the product is within the warranty period from the date of your purchase, we will repair, replace or return it free of charge as the case may be if it is confirmed by the manufacturer or dealer that it is faulty or damaged due to quality defects under normal use. Unless otherwise specified by relevant laws, the product or component used for replacement may not be new, but nevertheless performs well and is equivalent, at least, to the original product or component in function. The warranty period is calculated from the first date of purchase of the product, subject to the invoice date. If there is no valid invoice, the warranty period shall be calculated from the date of delivery plus thirty (30) days. If the invoice date is later than the actual delivery date of the product, the warranty period shall be calculated from the actual delivery date. The repaired or replaced products shall continue to enjoy the warranty for the rest of the warranty period, but not less than thirty (30) days. For warranty application, please contact the manufacturer or distributor of the product and follow the instructions. When applying for warranty, an accurate, complete and clear valid sales invoice should be provided.

The above warranty does not apply to failure, malfunction or damage caused by: (a) misuse, abuse or improper transportation, maintenance or storage, such as but not limited to use, storage or maintenance under improper temperature, humidity or other improper environmental conditions; (b) force majeure or accidents, network or power interruption and other reasons beyond our reasonable control; (c) repair or removal without authorization from the manufacturer; (d) the way in which damage has been caused by any third party products or services shall be specified (purposes other than those for which the product has been designated or intended: (f) using the product in violation of the product instructions; (g) using the product for commercial purposes; or (h) the accumulated mileage recorded by the scooter body has exceeded 2000 km. Normal wear and tear or aging, scratches, abrasions and problems caused by the use of coatings, solvents or other chemicals during general use of the product do not fall within the scope of the warranty. If the original identification label of the product is changed or damaged, this warranty will be invalid. The integrity and completeness of the products and of the attached materials are not within the scope of the warranty. You should inspect the products on the spot when receiving them and object immediately to any ascertained discrepancy/ies.

The above warranty statement applies to our products. This warranty grants the specific legal rights and other rights you may have according to the law. Nothing in this document affects your rights in a fashion that is not susceptible of exclusion or restriction in accordance with law.

Warranty information for the product:

This product is the same as any mechanical parts. The scooter can bear high stress and wear. Various materials and components (scooter's machinery, axle) may react differently to wear or fatigue. If the component have reached the expected service life, they may break suddenly, causing the risk of injury. If any problem is found, please repair and replace the parts in time. If there are cracks, scratches and discoloration in the area under high load, it indicates that the component has exceeded its service life. Please contact the manufacturer or dealer to replace the component as soon as possible.

Navee provides warranty service according to local regulations, but different parts have different warranty periods. For details, please consult the official Navee or local dealer.

Warranty card

When purchasing the product, we recommend that you clearly fill in the following information and affix the sales seal to protect your legitimate rights and interests:

User's information	Full name		E-mail	
	Mailing address			
	Contact number		Postal Code	
Product information	Name of the product		Sales date	
	Product model		Invoice number	
Vendor information	Name		Contact number	
	Address		Postal Code	
Note: (1) This form shall be confirmed by the seller's seal. (2) For products applicable to relevant "three guarantees" regulations, this warranty card is equivalent to "three guarantees certificate". (3) The maintenance record is subject to the voucher issued by the authorized service organization. Please keep it in a safe place after applying for service.				

1. Consignes de sécurité

IMPORTANTES MESURES DE SÉCURITÉ

L'utilisation d'un appareil électrique demande certaines précautions:

LIRE TOUTES LES INSTRUCTIONS AVANT DE FAIRE FONCTIONNER (CETAPPAREIL), Le non-respect des mises en garde et des instructions peut causer des chocs électriques, des incendies et/ou des blessures graves.

CONSERVER CES INSTRUCTIONS

Ranger la trottinette à l'intérieur lorsqu'elle n'est pas utilisée.

AVERTISSEMENT - Pour réduire les risques d'incendie, de choc électrique ou de blessure:

- Porter un casque, des coudières et des genouillères pour éviter les blessures en cas de chute. Une conduite incorrecte peut entraîner des chutes ou des accidents graves.
- La trottinette ne doit être utilisée que par une seule personne à la fois. Le port de chaussures est obligatoire pendant la conduite. N'utilisez pas la trottinette à d'autres fins. Cette trottinette n'est pas adaptée à la pratique d'acrobaties.
- Le produit est recommandé pour les conducteurs âgés de plus de 16 ans et de moins de 50 ans. Les personnes qui ne sont pas aptes à conduire ce produit sont : (1) les personnes sous l'influence de l'alcool ou de drogues, (2) les personnes incapables de s'engager dans des activités physiques intenses en raison de leur état de santé ou de leur condition physique, (3) les personnes incapables de garder leur équilibre ou qui ne peuvent pas le faire en raison d'une déficience motrice, (4) les personnes dont la taille dépasse la limite de poids, (5) les femmes enceintes, (6) les personnes souffrant de déficiences visuelles et/ou auditives.
- Respecter les lois et réglementations locales lors de l'utilisation de ce produit. Ne pas rouler aux endroits où la législation locale l'interdit.
- Lorsque vous conduisez ce produit dans des pays et des régions où il n'existe pas de normes et de réglementations nationales pertinentes pour les trottinettes électriques, veuillez à respecter strictement les exigences de sécurité pour les conducteurs contenues dans ce manuel d'utilisation. Brightway innovation Intelligent Technology (Suzhou) Co., Ltd. ne saurait porter aucune responsabilité directe et solidaire en cas de perte de biens, de pertes personnelles, d'accidents, de litiges juridiques et de tout autre événement indésirable causant des conflits d'intérêts, dus à des conduites contraires au mode d'emploi.
- Ne pas rouler dans les voies de circulation ou les zones résidentielles où les véhicules et les piétons sont tous

deux autorisés. Lorsque vous passez par un endroit désigné comme étant réservé aux piétons qui ont le droit de passage, comme un passage piéton, veuillez descendre pour marcher avec le scooter.

- Ne pas opter pour votre première conduite pour des endroits où des enfants, des piétons, des animaux domestiques, des véhicules, des bicyclettes ou d'autres obstacles et dangers potentiels peuvent apparaître.
- Effectuer une inspection de base de la trottinette électrique avant chaque trajet. En présence de situations anormales telles que des pièces desserrées, des alertes de batterie faible, des pneus à plat ou une usure excessive des pneus, des sons étranges, des dysfonctionnements et d'autres situations anormales, arrêtez immédiatement de rouler et appelez un professionnel.
- Pour rouler en toute sécurité, vous devez être capable de voir clairement ce qui se trouve devant vous et vous devez être clairement visible par les autres.
- Ne pas conduire par mauvais temps, par temps de faible visibilité ou après un effort physique intense.
- Toujours garer le scooter avec la béquille sur une surface plane et stable.
- Cette trottinette électrique est un appareil de loisir. Cependant, lorsqu'il entre dans un espace public, il sera considéré comme un moyen de transport et soumis aux éventuels risques de sécurité de tous les moyens de transport. Rouler en respectant scrupuleusement les instructions de ce manuel vous protégera au mieux, vous et les autres.
- L'utilisateur doit vérifier les limites d'utilisation en fonction de la réglementation locale. Conduire la trottinette sur les routes ou dans les zones autorisées par les lois et règlements locaux et la garer dans les zones autorisées. La vitesse maximale de la trottinette est limitée à 19,9 mph (32 km/h). Si les règlements et lois locaux disposent autrement de la vitesse maximale, ceux-ci prévaudront. Veiller à respecter et suivre les règles de sécurité routière et de véhicule.
- Respecter le droit de passage des piétons. Éviter de les faire sursauter en conduisant, surtout les enfants. Lorsque vous roulez derrière des piétons, faites sonner votre sonnette pour les avertir et ralentissez votre trottinette pour passer par la gauche, et serrez à droite à faible vitesse lorsque vous les croisez (applicable aux pays où les véhicules roulent à droite). Lorsque vous traversez des passages à piétons, gardez la vitesse la plus basse ou descendez du véhicule.
- Dans tous les cas, anticiper votre trajectoire et votre vitesse en respectant le code de la route, le code du trottoir et les plus vulnérables. Signaler votre présence à l'approche d'un piéton ou d'un cycliste lorsque vous n'êtes pas vu ou entendu. Traverser les passages protégés en marchant. Éviter les zones à fort trafic ou les zones surpeuplées.
- Rouler à grande vitesse ou à une vitesse qui n'est pas appropriée ou adéquate à la situation (mauvaises conditions météorologiques, mauvais état du revêtement, ou similaires) peut entraîner une perte potentielle de stabilité ou de contrôle. Pour prévenir tout risque, vous devez vous conformer à toutes les instructions de ce manuel. Soyez prudent lorsque vous montez et démontez le produit, il peut tomber et causer des blessures.
- La circulation en ville comporte de nombreux obstacles à franchir tels que des bordures ou des marches. Il est recommandé d'éviter les sauts d'obstacles. Il est important d'anticiper et d'adapter sa trajectoire et sa vitesse à celles d'un piéton avant de franchir ces obstacles. Il est également recommandé de descendre de l'engin lorsque ces obstacles deviennent dangereux en raison de leur forme, de leur hauteur ou de leur caractère glissant.
- Ne pas prêter sa trottinette à une personne qui n'en connaît pas le fonctionnement. Avant de prêter la trottinette électrique à d'autres personnes, veuillez vous assurer que celles-ci ont lu ce manuel d'instruction et regardé la vidéo d'instruction, et qu'elles ont compris le fonctionnement de base. Rappelez aux conducteurs de porter correctement les protections de sécurité pour assurer leur sécurité.
- Contacter votre vendeur pour connaître les organismes de formation appropriés.
- Dans tous les cas, faire attention à soi et aux autres.

- Toute charge fixée au guidon affectera la stabilité du véhicule.
- Ne jamais toucher le système de freinage, cela pourrait provoquer des blessures dues aux bords tranchants. Le frein peut devenir chaud en cours d'utilisation. Ne pas toucher après utilisation.
- Le niveau de pression acoustique d'émission pondéré A est inférieur à 70 dB(A).
- Pour une meilleure expérience de conduite, il est recommandé de procéder à un entretien régulier du produit.
- Éliminer toute arête vive causée par l'utilisation.
- Ne pas utiliser d'accessoires ou d'éléments supplémentaires qui ne sont pas approuvés par le fabricant.
- Inspecter régulièrement le serrage des différents éléments boulonnés, notamment les axes de roues, le système de pliage, le système de direction et l'arbre de frein.
- S'assurer que le scooter est éteint lors du transport et conservé si possible dans son emballage d'origine.
- Afin d'éviter les blessures accidentelles telles que les chocs électriques et les incendies causés par une utilisation incorrecte, veuillez lire attentivement les instructions avant l'utilisation, et conservez-les correctement pour toute référence ultérieure.
- Veuillez utiliser ce produit conformément aux instructions du manuel d'utilisation. Les utilisateurs sont responsables de toute perte ou dommage résultant d'une utilisation incorrecte de ce produit.
- Ne pas recharger le produit si le port de charge ou le câble de charge est humide. Lire attentivement ce manuel avant de procéder à la recharge.
- Ne pas recharger la trottinette à une température ambiante supérieure à 40° C ou inférieure à 0° C.
- **AVERTISSEMENT** : Pour recharger la batterie, utilisez uniquement le bloc d'alimentation détachable fourni avec cet appareil. N'utilisez pas un chargeur de batterie d'un autre produit. Maintenez une distance de sécurité avec les combustibles environnants lors de la recharge.
- **AVERTISSEMENT** : N'utilisez pas de batterie ou de chargeur de batterie d'une autre marque. Utilisez uniquement le bloc d'alimentation FY-4202000.
- **AVERTISSEMENT** ! Gardez l'enveloppe en plastique hors de portée des enfants pour éviter toute suffocation.
- **AVERTISSEMENT** ! N'utilisez jamais le produit à proximité d'une source d'eau.
- **AVERTISSEMENT** ! Cessez d'utiliser le produit lorsqu'il est endommagé.

 pièce d'alimentation électrique amovible

Consignes environnementales

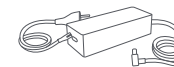
La trottinette est équipée d'une batterie rechargeable au lithium-ion. Une mise au rebut inappropriée de ces batteries peut nuire à l'environnement. Suivez les étapes ci-dessous pour retirer les batteries avant de mettre la trottinette au rebut et jetez les batteries de manière appropriée :

1. Avant de retirer les batteries, il est préférable de les épuiser et de s'assurer que la trottinette est déconnectée de l'alimentation électrique. Dévissez ensuite le couvercle inférieur de la trottinette pour l'enlever.
2. Débranchez le connecteur de la batterie, puis retirez les batteries. N'endommagez pas le boîtier des batteries pour éviter tout risque de blessure.
3. Jetez les batteries retirées dans un centre de recyclage professionnel.

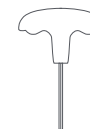
2. Contenu de l'emballage



Guide de l'utilisateur



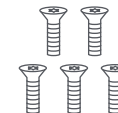
Adaptateur secteur



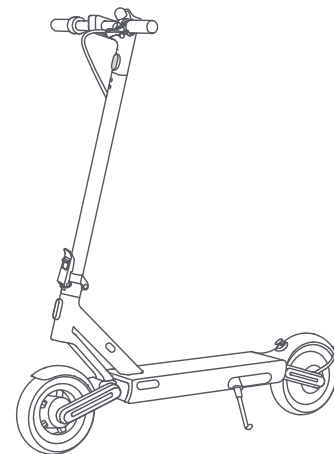
Clé Allen



Embout prolongé



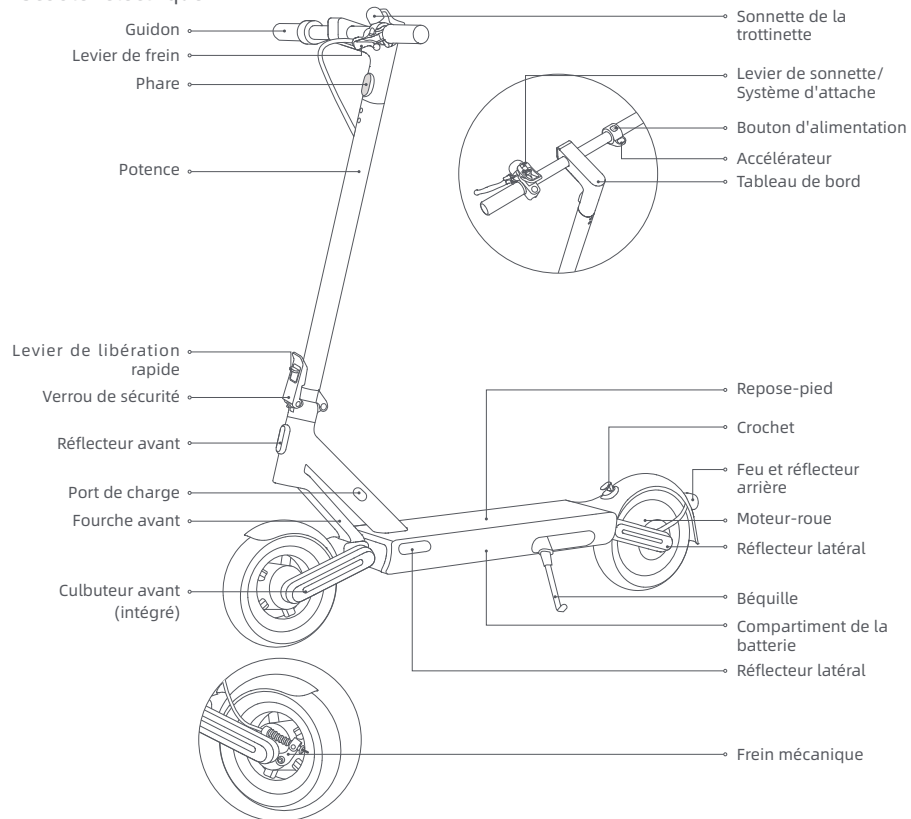
Vis x 5 (1 de réserve)



Scoter électrique

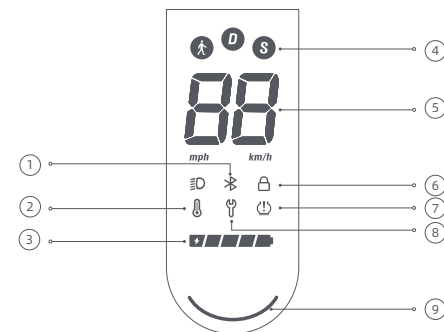
3. Présentation du produit

Scooter électrique

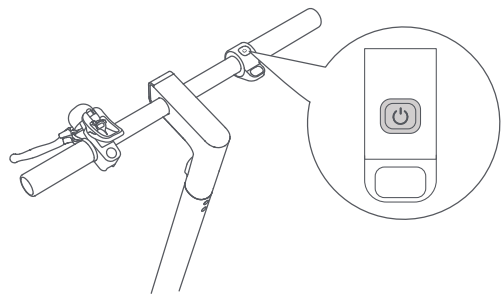




3. Présentation du produit

Tableau de bord



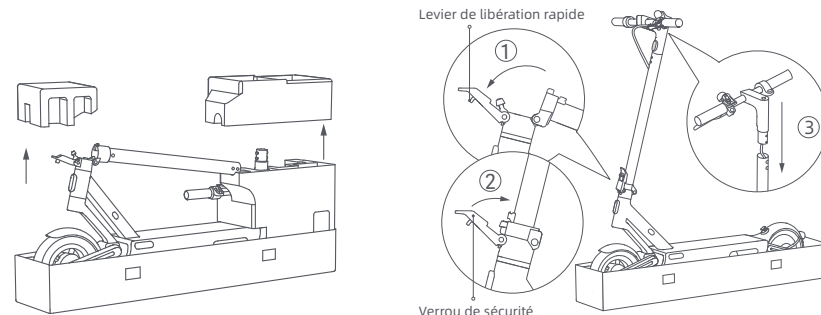
- ① Bluetooth: L'icône Bluetooth est toujours allumée, et indique que la trottinette a été connectée avec succès à l'appareil mobile.
- ② Avertissement de température : Si la température de la batterie est trop élevée ou trop basse, l'icône du thermomètre s'allumera. Cela entraînera une réduction de l'accélération et éventuellement des problèmes de charge. Utilisez ou chargez le scooter après que la température de sa batterie revienne à la plage de fonctionnement normale.
- ③ Niveau de charge de la batterie : La puissance de la batterie est indiquée par 5 barres, chacune représentant environ 20 % d'une batterie pleine.
- ④ Modes : A est réservé au mode marche, et sa vitesse maximale est de 6 km/h. D est réservé au mode standard. S est réservé au mode sport.
- ⑤ Indicateur de vitesse : Il affiche la vitesse actuelle lorsque le scooter est en fonctionnement. Lorsque le scooter a un problème, il affiche une erreur de code. Lorsque le scooter est en charge, il affiche le niveau de batterie actuel.
- ⑥ Verrouiller : Lorsque l'icône s'allume, cela indique que le scooter est verrouillé. Vous pouvez verrouiller/déverrouiller le scooter à l'aide de l'application Mi Home/Xiaomi Home.
- ⑦ Gonflement : Lorsque l'icône de gonflage est allumée, cela signifie qu'il est temps d'entretenir les pneus. Conseils : Après avoir procédé à l'entretien, reportez-vous aux instructions de l'APP ou appuyez simultanément sur le frein et la touche d'alimentation pour désactiver le rappel de gonflage sur le tableau de bord.
- ⑧ Notification d'erreur : Lorsque l'icône de la clé à molette affiche rouge, cela indique qu'une erreur s'est produite sur le scooter.
- ⑨ Voyant d'état



Appuyez sur le bouton  pour allumer la trottinette, et maintenez le bouton  pendant 2 à 3 secondes pour éteindre la trottinette. Lorsque la trottinette est allumée, appuyez une fois pour allumer/éteindre le phare et le feu arrière, et appuyez deux fois pour changer de mode de conduite.

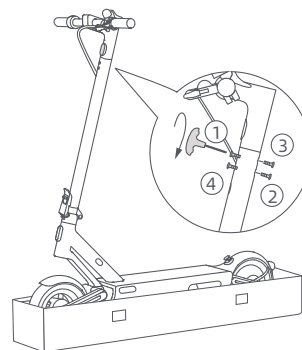
Remarque : Le scooter s'éteindra automatiquement lorsqu'il entre en mode veille pendant plus de 10 minutes. Le mode veille signifie que le scooter n'est pas entrain de charger ou n'est pas verrouillé lorsqu'il est allumé et ne fonctionne pas.

4. Montage



- 1 Retirez les supports intérieurs.

- 2 Tenez la potence jusqu'à ce qu'elle soit complètement en position verticale. Soulevez ensuite le verrou de sécurité, et poussez le levier de libération rapide vers l'intérieur jusqu'à l'extrémité. Installez le guidon sur la potence.

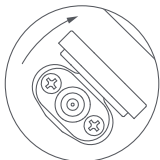


- 3 Suivez l'ordre des numéros comme illustré pour pré-serrer les quatre vis avec la clé Allen fournie. Assurez-vous que le guidon est correctement installé, puis serrez les vis à fond.

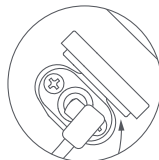


- 4 Une fois la trottinette assemblée, vérifiez si elle peut être allumée/éteinte correctement. Appuyez sur le bouton d'alimentation pour allumer la trottinette, puis appuyez sur le bouton d'alimentation et maintenez-le enfoncé pendant 2 à 3 secondes pour l'éteindre.

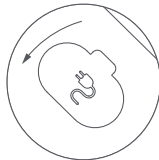
5. Recharge



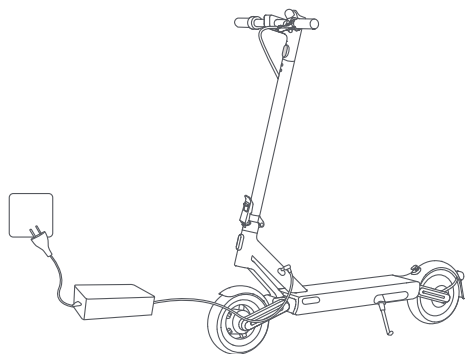
1. Ouvrez le couvercle du port de charge.



2. Branchez le chargeur de batterie dans le port de charge.



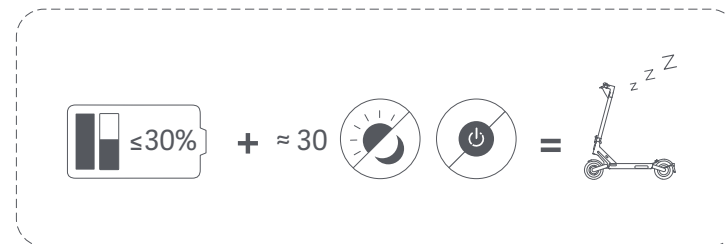
3. Après la charge, débranchez la fiche et refermez le couvercle du port de charge.



La charge complète de la trottinette est indiquée par le passage du rouge au vert de la LED du chargeur de batterie.

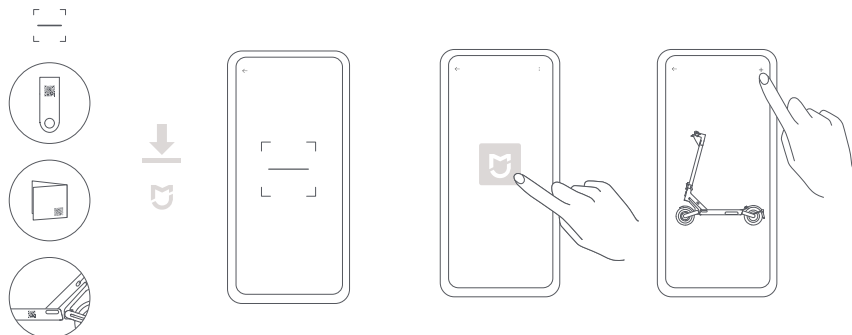
AVERTISSEMENT !

- Utilisez uniquement le chargeur de batterie d'origine pour éviter tout dommage ou incendie potentiel. Éteignez le véhicule ou passez en mode non opérationnel pendant la charge.
- Ne pas recharger lorsque le port de charge ou le cordon d'alimentation est mouillé. Si la batterie est endommagée ou imbibée d'eau, il est interdit de la charger ou de continuer à l'utiliser.



Lorsque la trottinette est éteinte pendant environ un mois ayant le niveau de batterie étant inférieure à 30 %, la trottinette entrera en mode veille. Dans ce cas, la trottinette ne peut pas être allumée. Pour quitter le mode veille, charger la trottinette pendant environ trois secondes pour activer la batterie.

6. Connexion avec l'appli Mi Home/Xiaomi Home



1. Scannez le code QR sur le scooteur, situé sur le côté droit du marchepied, ou sur la couverture arrière du manuel d'utilisation pour télécharger l'application Mi Home APP.

2. Ouvrez l'application Mi Home/Xiaomi Home. Appuyez sur "+" dans le coin supérieur droit et ouvrez "Scan" pour scanner à nouveau le code QR. Suivez ensuite les instructions de l'application pour ajouter la trottinette.

Remarques :

- Le code QR est unique à votre trottinette, veuillez le garder en lieu sûr.
- Lorsque vous connectez la trottinette à l'application Mi Home/Xiaomi Home, placez votre téléphone aussi près que possible de la trottinette pour vous assurer qu'il est dans la portée Bluetooth effective.
- Si vous changez de compte, supprimez d'abord la trottinette du compte auquel elle est associée, puis reconnectez-la à l'application Mi Home/Xiaomi Home.

Réinitialisation du Bluetooth

Assurez-vous que la trottinette est allumée. Serrez le levier de frein, et appuyez 5 fois sur le bouton d'alimentation pour réinitialiser. Lorsque la trottinette émet un bip, la réinitialisation est terminée.

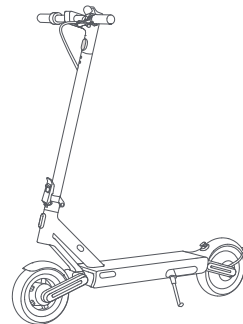
Restaurer les paramètres d'usine

Assurez-vous que la trottinette est allumée. Serrez le levier de frein et appuyez simultanément sur le bouton d'alimentation pendant 7 secondes. Lorsque vous entendez un bip, la trottinette a été restaurée aux paramètres d'usine. Cette opération effacera complètement les données stockées sur la trottinette, veuillez procéder avec précaution.

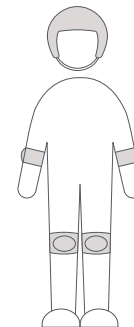
Remarque : La trottinette ne peut pas être remise aux réglages d'usine pendant la conduite ou lorsqu'elle est verrouillée.

7. Conduire votre scooteur

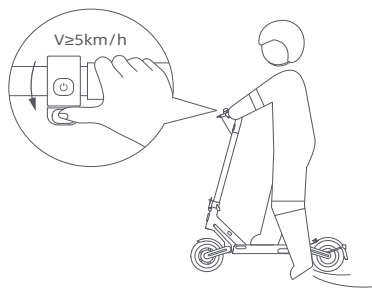
Vérification Préalable à la Conduite



Avant chaque conduite, veuillez vérifier l'état de votre trottinette, y compris la performance des pneus, le niveau de batterie restant et l'état de la trottinette, et assurez-vous qu'aucune pièce n'est desserrée ou endommagée.



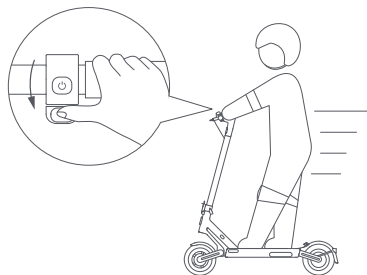
Avant de conduire le scooteur, veuillez toujours porter un casque, des genouillères et des coudières et autres équipements de protection.



Posez un pied sur le plancher, et utilisez l'autre pied pour décoller doucement sur le sol. Lorsque le scooter commence à avancer en roue libre, posez les deux pieds sur le plancher et appuyez doucement l'accélérateur.

Conseils : Pour votre propre sécurité, le moteur ne démarrera pas tant que la vitesse n'aura pas atteint 5km/h.

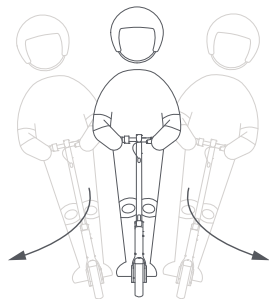
Décélération et freinage et stationnement



Relâcher l'accélérateur pour ralentir, et actionner le levier de frein pour un freinage brusque.

AVERTISSEMENT : Pour empêcher aux personnes étrangères d'utiliser le scooter sans permission, vous pouvez verrouiller le scooter lorsqu'il est garé.

Guidage



Penchez-vous dans la direction vers laquelle vous souhaitez tourner en tournant doucement le guidon.

8. Verrouillez/déverrouillez votre scooter

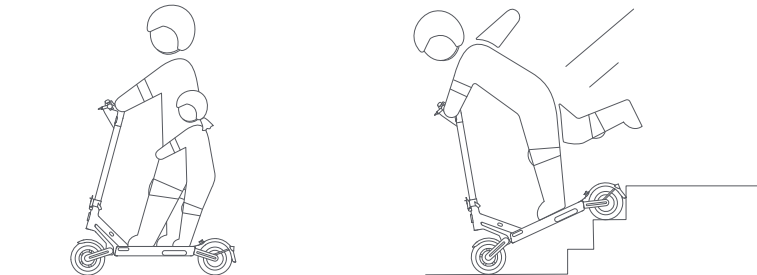
Lorsque le scooter est verrouillé, le moteur est verrouillé et toutes les icônes sur le panneau de commande s'éteignent automatiquement à l'exception de l'icône Bluetooth et l'icône de verrouillage. Si le scooter s'éloigne de la plage de connexion du Bluetooth, le Bluetooth sera déconnecté et son icône s'éteindra.

Après que le scooter est verrouillé dans l'application, le moteur sera verrouillé et le bouton d'alimentation ne fonctionnera pas. Si le scooter est bougé de force, sa roue avant ne peut se déplacer normalement. Il y aura une résistance au roulement accompagnée d'une alarme sonore et une vibration d'alerte sur votre téléphone. Cette fonction ne peut pas empêcher le vol du scooter, veuillez garder votre scooter en sécurité. Le scooter s'éteindra automatiquement après 24 heures en état de verrouillage. Il restera verrouillé lorsqu'il sera rallumé. Pour déverrouiller le scooter tapotez « Déverrouiller » dans l'application. Verrouillez le scooter consommera l'énergie du scooter. Veuillez utiliser cette fonction de manière intelligente.

Remarque : Le téléphone vibrera uniquement si la page du scooter dans l'application Mi Home/Xiaomi Home est ouverte.

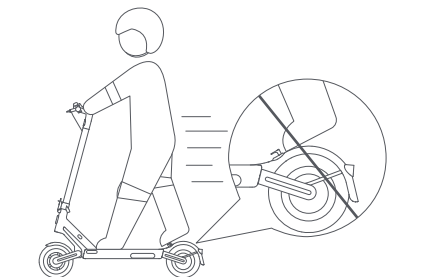
⚠ Précautions à prendre

Remarque : Avant d'utiliser le produit, veuillez lire attentivement et vous conformer aux suivantes consignes importantes de sécurité.



⊗ Ce produit ne peut être utilisé que par une seule personne, ne transportez pas d'autres personnes en même temps.

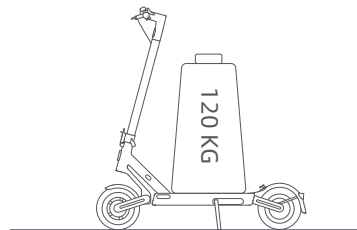
⊗ Ne pas essayer de monter ou de descendre des escaliers, ni de sauter par-dessus des obstacles.



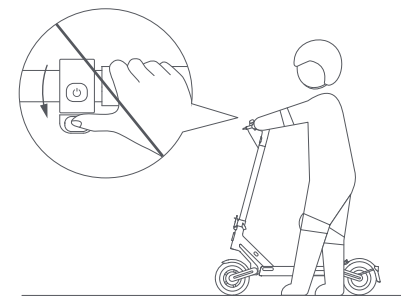
⊗ Ne pas laisser les pieds sur le garde-boue arrière.



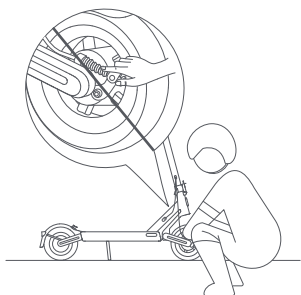
⊗ Ne pas utiliser de téléphone portable ni porter d'écouteurs pendant l'utilisation de la trottinette.



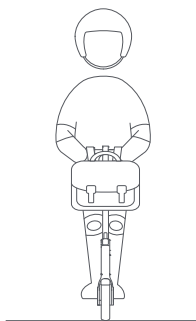
⊗ Ne pas utiliser ce produit au-delà de la charge maximale (120 kg) telle que spécifiée par ce produit.



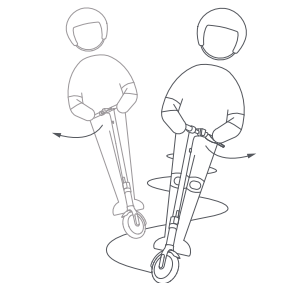
⊗ Ne pas appuyer sur l'accélérateur lorsque vous marchez à côté de la trottinette.



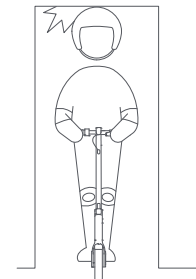
⊗ Ne touchez pas au frein mécanique.



⊗ Ne pas accrocher de sacs ou autres objets lourds sur le guidon.



⊗ Ne pas changer brusquement la direction de conduite en étant à grande vitesse.



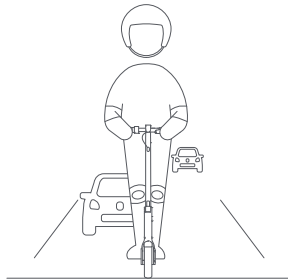
⊗ Éviter de se cogner la tête sur les cadres de porte, les ascenseurs et autres obstacles aériens.



Ne conduisez pas par mauvais temps (pluie, neige, brouillard, grêle) et lorsque la route est glissante ou verglacée. Si vous rencontrez les situations ci-dessus en cours de route, ne vous arrêtez pas brusquement. Gardez vos distances; ralentissez puis descendez. Vous pouvez marcher avec votre scooter ou le plier pour le transporter.



Ne pas effectuer d'actions dangereuses pendant la conduite, comme conduire avec une seule jambe ou une seule main. Assurez-vous que les deux jambes et les deux mains restent sur la trottinette électrique.



A moins d'être autorisé par la législation locale, il est interdit et illégal de rouler sur les routes publiques, les autoroutes et les voies express.

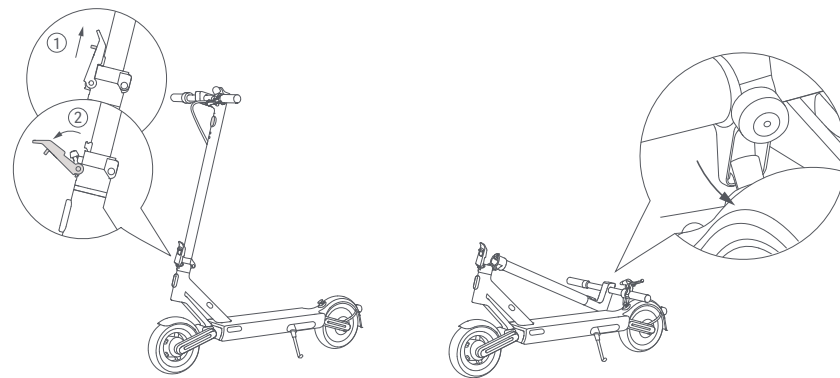


En cas de routes inégales ou d'autres mauvaises conditions routières, veuillez ralentir à temps et rouler prudemment, ralentir ou descendre du véhicule. La trottinette est un produit spécial. Veuillez essayer de rouler sur des routes plates sans nids de poule.

9. Pliage/dépliage et Transport

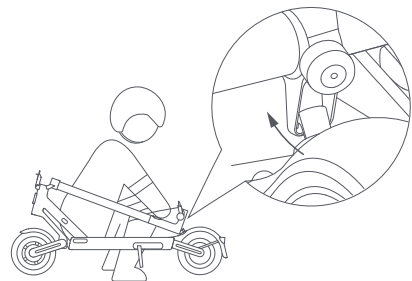
La trottinette DOIT être éteinte avant d'être pliée.

Pliage



Tenez la potence, soulevez le verrou de sécurité et ouvrez le levier de libération rapide. Soulevez le verrou de sécurité et poussez à nouveau le levier de libération rapide vers le bas, puis pliez la potence.

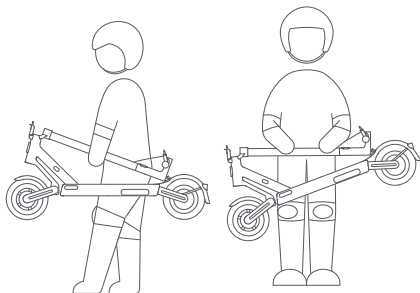
Alignez le système d'attache avec le crochet et fixez-les ensemble.



Tirez le système d'attache vers le haut pour le libérer du crochet. Tenez la potence, puis soulevez le verrou de sécurité et poussez le levier de libération rapide vers l'intérieur jusqu'à l'extrémité.

Conseils de sécurité : Lorsque vous soulevez la potence de la trottinette, ne mettez JAMAIS vos mains entre les articulations, car vous pourriez vous blesser gravement.

Transporter



Tenez la potence d'une seule main ou des deux mains pour la transporter.

10. Entretien et Maintenance

Nettoyage

Pendant le nettoyage, s'assurer que la trottinette est éteinte, que le câble de charge est débranché et que le volet en caoutchouc est fermé.

Essuyer le cadre principal avec un chiffon doux et humide, les saletés difficiles à enlever peuvent être frottées avec une brosse à dents. Ensuite, essuyez toutes les zones avec un chiffon sec.

AVERTISSEMENT !

- Ne pas nettoyer la trottinette avec un jet d'eau à haute pression.
- Ne pas nettoyer le scooter avec un nettoyant corrosif, qui endommagerait la structure externe et interne du scooter.

Batterie

Toujours recharger avant d'épuiser la batterie pour prolonger la durée de vie de la batterie.

Lors de l'utilisation, du stockage ou de la charge, ne pas excéder la limite de température spécifiée (se référer aux spécifications). Si vous ne suivez pas les instructions d'utilisation, de rangement ou de charge, vous risquez d'endommager la batterie, de ne pas pouvoir la recharger et d'annuler la garantie.

La trottinette entièrement chargée a une autonomie approximative de 120 à 180 jours. S'il n'est pas utilisé pendant une longue période, il doit être rechargé tous les 30 jours. Veuillez faire attention au délai d'attente afin d'éviter des dommages irréversibles à la batterie causés par l'absence de charge.

AVERTISSEMENT !

- Ne pas se servir de batteries d'autres modèles ou marques, car il pourrait y avoir un risque pour la sécurité.
- Utiliser uniquement le chargeur de batterie d'origine pour éviter tout dommage ou incendie potentiel.
- Si la batterie est endommagée ou imbibée d'eau, ne pas la charger ni continuer à l'utiliser.
- Ne pas démonter la batterie. Le retrait de la batterie est compliqué, et une opération incorrecte peut affecter le fonctionnement de la trottinette.

Rangement

En cas de non-utilisation prolongée de la trottinette, charger complètement la batterie, puis l'éteindre et la ranger dans un endroit frais et sec. Recharger la trottinette au moins tous les 2 mois pour éviter d'endommager la batterie. Veiller à ce que la trottinette soit éteinte pendant le transport et conservée dans son emballage d'origine si possible.

AVERTISSEMENT !

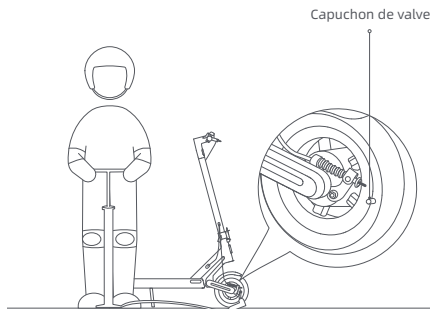
- Ne pas exposer la trottinette à un soleil brûlant ou la laisser dans un endroit très humide pendant de longues périodes.
- Prière de ne pas laisser le scooter à proximité de matériaux inflammables.
- Ce produit est équipé d'une batterie au lithium intégrée et ne doit être transporté que lorsque les lois et règlements locaux le permettent.

Gonfler les Pneus

Vérifiez la pression des pneus tous les deux mois, et gonflez les pneus si la pression est trop basse. La pression recommandée pour les pneus est de 45-50 psi.

S'il y a un manque d'air dans les pneus avant et arrière, vous pouvez utiliser l'embout prolongé fourni avec la trottinette pour gonfler les pneus. Connectez d'abord l'embout prolongé avec la pompe à air, puis dévissez le capuchon de la valve du pneu avant (arrière), et connectez l'embout prolongé et la valve solidement ensemble, puis gonflez le pneu.

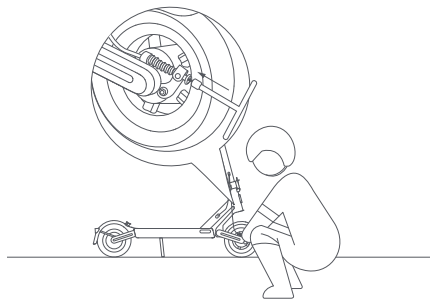
AVERTISSEMENT ! Le démontage du pneu est très compliqué. Ne retirez pas le pneu vous-même. Une opération incorrecte peut affecter le fonctionnement de la trottinette. Veuillez contacter un professionnel.



Ajustement du frein mécanique

Outil : Clé hexagonale de 4 mm (l'outil doit être préparé par l'utilisateur).

Avant tout réglage, assurez-vous que la trottinette est éteinte et qu'elle n'est pas en charge. Lorsque le frein est trop serré, à l'aide de l'outil, tournez l'écrou sur la tige filetée dans le sens inverse des aiguilles d'une montre pour raccourcir légèrement la partie inférieure exposée du câble de frein. Lorsque le frein est trop lâche, à l'aide de l'outil, tournez l'écrou sur la tige filetée dans le sens des aiguilles d'une montre pour allonger légèrement la partie inférieure exposée du câble de frein.



AVERTISSEMENT ! Comme tout composant mécanique, un véhicule est soumis à des contraintes et à une usure importantes. Les différents matériaux et composants peuvent réagir différemment à l'usure ou à la fatigue. Si la durée de vie prévue d'un composant a été dépassée, celui-ci peut se briser soudainement, risquant ainsi de blesser l'utilisateur. Des fissures, des rayures et une décoloration dans les zones soumises à de fortes contraintes indiquent que le composant a dépassé sa durée de vie et veuillez contacter un réparateur agréé ou spécialisé.

Programme de maintenance du scooter (recommandé)

L'entretien régulier du scooter peut permettre de garder le scooter propre et en bon état, à éviter les risques de sécurité, minimiser les pannes, ralentir la détérioration du scooter et à étendre la durée de vie du scooter.

Éléments	Objet de service	Actions	Chaque mois	Tous les 3 mois	Tous les 500 km/6 mois	Tous les 1 000 km/1 an	Tous les 10 000 km/3 an
Pneus	Pression des pneus	Gonflez les pneus jusqu'à ce que la pression atteigne 45-50 psi.	✓		✓	✓	✓
	Usure de la bande de roulement du pneu	Vérifiez si le pneu est fissuré, déformé, usé, etc.			✓	✓	✓
Vis	Vis d'assemblage du guidon	Serrez la vis qui relie l'assemblage du guidon avec l'assemblage de la potence (avec un couple recommandé de $4,8 \pm 0,2$ N·m).		✓	✓	✓	✓
		Serrez la vis de l'accélérateur (avec un couple recommandé de $1,6 \pm 0,1$ N·m).					
		Serrez la vis du levier de frein (avec un couple recommandé de $5 \pm 0,2$ N·m).				✓	✓

Éléments	Objet de service	Actions	Chaque mois	Tous les 3 mois	Tous les 500 km/6 mois	Tous les 1 000 km/1 an	Tous les 10 000 km/3 an
Fonctions	Réglage du frein	Outil : Clé hexagonale de 4 mm (l'outil doit être préparé par l'utilisateur). Avant tout réglage, assurez-vous que la trottinette est éteinte et qu'elle n'est pas en charge. Lorsque le frein est trop serré, à l'aide de l'outil, tournez l'écrou sur la tige filetée dans le sens inverse des aiguilles d'une montre pour raccourcir légèrement la partie inférieure exposée du câble de frein. Lorsque le frein est trop lâche, à l'aide de l'outil, tournez l'écrou sur la tige filetée dans le sens des aiguilles d'une montre pour allonger légèrement la partie inférieure exposée du câble de frein. · Le scooter est testé sous des conditions de charge de 75 kg et se déplaçant à une vitesse de 19,9 mph (32 km/h).			✓	✓	✓
	Charge	Chargez le scooter à une température convenable. Le voyant sur le chargeur de batterie est rouge lorsque le scooter est en charge et passe au vert lorsque le scooter est entièrement chargé. Le panneau de commande montrera l'état de charge simultanément pendant la charge.			✓	✓	✓
	Guidage	Tournez le guidon à 60° vers la gauche et la droite pour vous assurer que l'angle de braquage est correct et que la direction est sans résistance ni stagnation.				✓	✓
Composantes importantes	Assemblage de la batterie	Chargez entièrement le scooter avant de le laisser sans utilisation pendant une longue durée, puis allumez-le pour le charger tous les 60 jours.					✓

11. Caractéristiques

Produit	Nom	NAVEE Electric Scooter
	Modèle	NKT2214-D32
Dimensions	Véhicule : L x l x H ^[1]	48,4 x 21,0 x 50,6 in (1230 x 533 x 1285 mm)
	Après pliage : L x l x H	48,4 x 20,9 x 20,4 in (1230 x 530 x 570 mm)
Poids net	Poids net du véhicule	59,5 lbs (27 kg)
Utilisateur	Plage de charge	55,1 à 264,6 lbs (25-120 kg)
	Âge	16 à 50 ans
	Taille	3'11" - 6'6" (120-200 cm)
Trottinette électrique assemblée	Vitesse maximale	19,9 mph (32 km/h)
	Plage générale ^[2]	Environ 35,1 miles (65 km)
	Angle maximum de montée	Environ 22%
	Surfaces adaptées	Route revêtu en ciment et d'asphalte, avec des bermes inférieures à 1 cm ou des crevasses inférieures à 3 cm.
	Température de fonctionnement	14 à 104 ° F (-10 à 40 ° C)
	Température de stockage	-4 à 113 ° F (-20 à 45 ° C)
	Indice de protection (IP)	IP55
Temps de charge	Environ 8 h	
Bloc de batterie	Modèle	T2214-BA3B
	Tension nominale	36,5 V ---
	Tension d'entrée maximale	42 V ---
	Énergie nominale	547,5 Wh
	Système intelligent de gestion de batterie	Surchauffe, court-circuit, surintensité, surcharge et protection contre la surcharge
	Plage de températures de charge normales	32 à 113 ° F (0 à 45 ° C)
Moteur-roue	Capacité nominale	15 Ah
	Puissance nominale	450 W (0,45 kW)
Chargeur de batterie	Modèle ^[1]	FY-4202000
	Tension d'entrée	100 à 240 V ~
	Tension de sortie maximale	42 V ---
	Puissance de sortie nominale	41 V --- 2,0 A
	Puissance de sortie	84 W (0,084 kW)
Pneu	Pneus avant et arrière	Pneus de 10 pouces sans chambre à air et autoréparants
	Bande de fréquences	2,4000 à 2,4835 GHz
Bluetooth	Puissance d'émission maximale	8 dBm

[1] Hauteur du véhicule : depuis le sol jusqu'en haut de la trottinette.

[2] Plage générale : mesurée à 77 ° F (25 ° C) lorsqu'il n'y a pas de vent, la trottinette entièrement chargée et roulant à une vitesse régulière de 9,3 mph (15 km/h) sur une surface plane avec une charge de 165,3 lbs (75 kg).

[3] Ne rechargez la batterie qu'avec le chargeur fourni dans l'emballage. Consultez les paramètres du chargeur de batterie dans la section Caractéristiques.

12. Marque déposée et Déclaration

NAVEE est une marque déposée de Suzhou Brightway Ltd, tous droits réservés.

13. Avertissement de Sécurité



AVERTISSEMENT
Bords Tranchants



AVERTISSEMENT
Surface Chaude



AVERTISSEMENT
Ne Pas Démontez



AVERTISSEMENT
Risque de Pincement



AVERTISSEMENT
Attention à Vos Doigts



AVERTISSEMENT
Angles Pointus

14. Dépannage

Codes d'Erreur	Causes	Solutions
10	Panne du tableau de bord	Veillez contacter rapidement le service après-vente pour détecter et réparer la panne.
11/12/28/29/40	Défaillance du contrôleur	
14	Défaillance de l'accélérateur	Veillez vérifier que l'accélérateur est remis dans sa position, sinon il ne peut pas fonctionner normalement. Veillez contacter rapidement le service après-vente pour détecter et réparer si le faisceau de câbles de l'accélérateur est desserré ou endommagé.
15	Défaillance du frein	Veillez vérifier que le levier de frein est remis dans sa position, autrement il ne peut pas fonctionner normalement. Veillez contacter rapidement le service après-vente pour détecter et réparer si le faisceau de câbles de l'accélérateur est desserré ou endommagé.
18	Défaillance du moteur	Veillez contacter rapidement le service après-vente pour détecter et réparer la panne.
21/24/39	Défaillance du bloc-batterie	
45	Surchauffe du contrôleur	Laissez le scooter refroidir, et ne l'utilisez pas tant que la température n'est pas revenue à la normale.
50	Surchauffe du bloc-batterie	
52/53	Défaut de communication du bloc de batteries, échec de la vérification	Essayez de redémarrer le scooter pour rétablir la communication. S'il ne peut pas être rétabli, contactez le service après-vente pour la détection de la panne et la réparation.

15. Certification

Déclaration de Conformité du Fournisseur de la FCC

Cette déclaration de conformité du fournisseur est faite par la présente pour

Produit : NAVEE Electric Scooter

Numéro(s) de modèle : NKT2214-D32

Marque/Trade : NAVEE

Nous déclarons que l'appareil mentionné ci-dessus a été testé et déclaré conforme à la Section 47 du Règlement CFR.

Coordonnées de la partie responsable aux États-Unis

Société : Brightway Innovation Intelligent Technology (Suzhou) Co., Ltd.

Adresse : Building A2, Shangjinwan Headquarters Economic Park, No.2288, Wuzhong Avenue, Wuzhong Economic Development Zone, Suzhou Jiangsu P.R. China

Pays : China

Déclaration de Conformité FCC valable pour les États-Unis

Cet appareil est conforme à la Section 15 des règles de la FCC. Son fonctionnement est soumis aux deux conditions suivantes :

1. Cet appareil ne doit pas causer d'interférences nuisibles.
2. Cet appareil doit accepter toute interférence reçue, y compris les interférences susceptibles de provoquer un fonctionnement indésirable.

Cet équipement a été testé et déclaré conforme aux limites d'un appareil numérique de classe B, conformément à la Section 15 des règles de la FCC. Ces limites sont conçues pour fournir une protection raisonnable contre les interférences nuisibles dans une installation résidentielle. Cet équipement génère, utilise et peut émettre de l'énergie de fréquence radio et, s'il n'est pas installé et utilisé conformément aux instructions, peut causer des interférences nuisibles aux communications radio. Cependant, il n'y a aucune garantie que des interférences ne se produiront pas dans une installation particulière. Si cet équipement provoque des interférences nuisibles à la réception de la radio ou de la télévision, ce qui peut être déterminé en éteignant et en allumant l'équipement, l'utilisateur est invité à essayer de corriger les interférences par l'une ou plusieurs des mesures suivantes :

- Réorienter ou déplacer l'antenne de réception.
- Augmenter la distance entre l'équipement et le récepteur.
- Connectez l'équipement à une prise sur un circuit différent de celui auquel le récepteur est connecté.
- Consulter le revendeur ou un technicien

Note de la FCC

Les changements ou modifications qui ne sont pas expressément approuvés par la partie responsable de la conformité peuvent annuler l'autorité de l'utilisateur à utiliser l'équipement.

Déclaration de conformité d'Industrie Canada (IC) valable au Canada

Cet appareil est conforme à la (aux) norme(s) RSS exempte(s) de licence d'Industrie Canada. Son utilisation est soumise aux deux conditions suivantes : (1) cet appareil ne doit pas provoquer d'interférences, et (2) cet appareil doit accepter toute interférence, y compris les interférences pouvant provoquer un fonctionnement indésirable de l'appareil.

Ce produit est conforme à la limite d'exposition IC RF définie pour un environnement non contrôlé et est sûr pour le fonctionnement prévu comme décrit dans ce manuel.

FCC ID:2A4GZ-S654501C

IC: 28570-S654501C

16. Garantie

Pour autant que le produit se trouve dans la période de garantie à compter de la date de votre achat, nous le réparerons, le remplacerons ou le retournerons gratuitement, selon le cas, s'il est confirmé par le fabricant ou le revendeur qu'il est défectueux ou endommagé en raison de défauts de qualité dans le cadre d'une utilisation normale. Sauf disposition contraire de la législation en vigueur, le produit ou le composant utilisé pour le remplacement peut ne pas être neuf, mais il est néanmoins performant et équivalent, au moins, au produit ou au composant d'origine en termes de fonction. La période de garantie est calculée à partir de la première date d'achat du produit ; la date de la facture fait foi. En l'absence de facture valide, la période de garantie est calculée sur la base de la date de production plus trois mois. Si la date de la facture est postérieure à la date de livraison effective du produit, la période de garantie sera calculée à partir de la date de livraison effective. Les produits réparés ou remplacés continueront à bénéficier de la garantie pendant le reste de la période de garantie, mais pas moins de trente (30) jours. Pour la demande de garantie, veuillez contacter le fabricant ou le distributeur du produit et suivre les instructions. Lors de la demande de garantie, une facture de vente valide, précise, complète et claire doit être fournie. La garantie ci-dessus ne s'applique pas aux pannes, dysfonctionnements ou dommages résultant de (a) d'une mauvaise utilisation, d'un abus ou d'un transport, d'un entretien ou d'un stockage inappropriés, tels que, mais sans s'y limiter, l'utilisation, le stockage ou l'entretien dans des conditions de température, d'humidité ou autres conditions environnementales inappropriées ; (b) d'un cas de force majeure ou d'un accident, d'une interruption du réseau ou de l'alimentation et d'autres raisons indépendantes de notre volonté ; (c) d'une réparation ou d'un retrait sans l'autorisation du fabricant ; (d) du fait que les dommages ont été causés par des produits ou services tiers ; (e) des utilisations autres que celles pour lesquelles le produit a été désigné ou prévu ; (f) de l'utilisation du produit en violation des consignes concernant le produit ; (g) de l'utilisation du produit à des fins commerciales ; ou (h) du fait que le kilométrage cumulé enregistré par la carrosserie du scooter a dépassé 2000 km. L'usure normale ou le vieillissement, les rayures, les abrasions et les problèmes causés par l'utilisation de revêtements, de solvants ou d'autres produits chimiques pendant l'utilisation générale du produit n'entrent pas dans le cadre de la garantie. Si l'étiquette d'identification originale du produit est modifiée ou endommagée, la présente garantie ne sera pas valable. L'intégrité et l'exhaustivité des produits et des matériaux joints ne sont pas couverts par la garantie. Vous devez inspecter les produits sur place dès leur réception et signaler immédiatement toute anomalie constatée. La déclaration de garantie ci-dessus s'applique à nos produits. Cette garantie accorde les droits légaux spécifiques et autres droits que vous pouvez avoir selon la loi. Rien dans ce document n'affecte vos droits d'une manière qui n'est pas susceptible d'exclusion ou de restriction conformément à la loi.

FR-CA Informations relatives à la garantie du produit :

Ce produit est identique à toute pièce mécanique. Le scooter peut supporter des contraintes et une usure élevées. Divers matériaux et composants (machinerie du scooter, essieu) peuvent réagir différemment à l'usure ou à l'épuisement. Si les composants atteignent la durée de vie prévue, ils peuvent se briser soudainement, entraînant un risque de blessure. Si vous constatez un problème, veuillez réparer et remplacer les pièces à temps. La présence de fissures, de rayures et de décoloration dans la zone soumise à une forte charge indique que le composant a dépassé sa durée de vie. Veuillez contacter le fabricant ou le revendeur pour remplacer le composant dès que possible.

Navee fournit un service de garantie conformément aux réglementations locales, mais les différentes pièces ont des périodes de garantie différentes. Pour plus de détails, veuillez consulter le revendeur officiel Navee ou le revendeur local.

Carte de garantie

Nous vous recommandons, lors de l'achat du produit, de remplir clairement les informations suivantes et d'apposer le sceau de vente afin de protéger vos droits et intérêts légitimes :

Identification de l'utilisateur	Nom et prénom		E-mail	
	Adresse postale			
	Coordonnées téléphoniques		Code postal	
Renseignements sur le produit	Nom du produit		Date de vente	
	Modèle du produit		Numéro de facture	
Identification du vendeur	Nom		Coordonnées téléphoniques	
	Adresse		Code postal	
Note: (1) Ce formulaire doit être attesté par le cachet du vendeur. (2) Pour les produits relevant de la réglementation relative aux "Trois Garanties", cette carte de garantie a valeur égale au "Certificat de Trois Garanties". (3) Le carnet d'entretien est soumis au bon émis par l'organisme de service autorisé. Veuillez le conserver en lieu sûr après avoir fait appel au service.				



Scan the QR code to access
electronic user manuals

This QR code is unique to your scooter and can also be found on the labels attached to the control panel and to the right side of the deck. It is used to connect the scooter with the Mi Home/Xiaomi Home app and contains important information about activating your scooter. Please keep this code safe.

For more information & after-sales support,
contact us via service@navee.tech/www.naveetech.com

Manufactured by: Brightway Innovation Intelligent Technology (Suzhou) Co., Ltd.
Address: Building A2, Shangjinwan Headquarters Economic Park, No.2288, Wuzhong Avenue, Wuzhong Economic Development Zone, Suzhou Jiangsu P.R. China
Made in China

Original instructions
4015050000209-NA



Do Not Remove

