

项目名称

T2322 (欧规)

版本号

MP1.0

设计时间

20240516

物料名称

重要信息说明书

设计师

鲁凡如

审核

鲁凡如 20240508

批准

吴东东 20240508

料号

40150500000458

材质工艺要求:

材质要求: 封面 128g 哑粉纸, 覆哑膜; 内页 68g 晨鸣云镜, 胶装

颜色及专色: Pantone Cool Gray 11C, 图片请调整成单色

尺寸要求: 140*140mm

认证要求: 测试标准: 包装指令 94/62/EC

变更履历:

NAVEE Electric Scooter

EN Important Information

FR Informations importantes

DE Wichtige Informationen

IT Informazioni importanti

ES Önemli Bilgi

PL Ważne informacje

SPU: S40



1. Safety Instructions

Original instructions

IMPORTANT! Please read carefully before using the product and keep for future reference. For detailed e-manual, please visit www.naveetech.com


- This appliance is not intended for use by persons (including children) with reduced physical, sensory or mental capabilities, or lack of experience and knowledge, unless they have been given supervision or instruction concerning use of the appliance by a person responsible for their safety.
 - Children should be supervised to ensure that they do not play with the appliance.
 - This appliance is intended for riders older than 8 years and persons with physical and persons with reduced physical, sensory or mental capabilities or lack of experience and knowledge if they have been given supervision or instruction concerning use of the appliance in a safe way and understand the hazards involved.
 - Children shall not play with the appliance. Cleaning and user maintenance shall not be made by children without supervision.
 - The appliance is only to be used with the power supply unit provided with the appliance.
 - Before riding, please wear helmets, hand/wrist pads/knee pads, elbow pads, and other protective gear at all times.
 - The scooter shall be used by one person only. Obligation to always wear shoes. Do not divert the use of the vehicle.
 - This product is for personal riding only and is not intended for acrobatic or stunt use.
 - The product is recommended for riders above age of 16 and below age of 50. People who are not suitable for riding this product include: (1) persons under the influence of alcohol or drugs, (2) persons unable to engage in strenuous physical activities due to health or physical conditions, (3) persons who are incapable of keeping their balance or who cannot keep their balance due to impaired motor skills, (4) persons whose size exceeds the weight limit, (5) women who are pregnant, (6) persons who suffer from visual and/or hearing impairments.
 - Comply with local laws and regulations when riding this product. Do not ride where prohibited by local laws.
 - When riding in countries and regions where there are no relevant national standards and regulations for electric scooters, please be sure to strictly abide by the safety requirements for drivers in this operation manual. Brightway innovation Intelligent Technology (Suzhou) Co., Ltd. will not bear any direct responsibility and joint and several liability for all property, personal losses, accidents, legal disputes, and all other adverse events that cause conflicts of interest caused by the use of behaviors in violation of the instructions for use.
 - Do not ride in traffic lanes or residential areas where vehicles and pedestrians are both allowed. When passing through a place designated for pedestrians who are entitled to the right-of-way laws like crosswalk, please get off to walk along with the scooter.
 - Do not choose places where children, pedestrians, pets, vehicles, bicycles or other obstacles and potential dangers may appear for your first ride.
 - Required preparations for using this product include: ensuring the steering system is properly adjusted, that all connected accessories (such as the folding system) are properly tightened and undamaged, and that the brakes and wheels are in good condition.

- Perform a basic inspection of the electric scooter before each ride. If there are abnormal conditions such as loose parts, low battery alerts, flat tires or excessive wear of tires, strange sounds, malfunctions and other abnormal conditions, stop riding immediately and call for professional support.
- Take the time to learn the basics of the practice to avoid any serious accident that can take place in the first months. Information on practice and safe use (can be found on the website: www.naveetech.com)
- To ride safely, you must be able to clearly see what is in front of you and you must be clearly visible to others.
- Do not ride in bad weather, low visibility, or after intense physical exertion.
- Do turn on the headlight and slow down the speed when you ride at dark.
- Make sure that the kickstand is positioned on a flat surface and the kick scooter is stable enough to stand alone before leaving it.
- This electric scooter is a leisure device. However, when entering a public area, it will be considered a means of transportation and subject to possible safety risks for all means of transportation. Riding in strict accordance with the instructions in this manual will protect you and others to the greatest extent.
- The user should check the limits of use in accordance with the local regulations. Ride the scooter on the roads or areas permitted by local regulations and laws and park it in the areas permitted. If the local regulations and laws have different provisions on the maximum speed, the local regulations and laws will prevail. Please respect and follow the road safety and vehicle rules.
- Respect pedestrians' Right of Way. Try not to startle them while driving, especially children. When you ride from behind pedestrians, ring your bell to give them a heads-up and slow your scooter down to pass from their left, and keep to the right at a low speed while riding across them (applicable to countries where vehicles drive on the right). When you drive across pedestrians, keep the lowest speed or getting off the vehicle.
- In any case, anticipate your trajectory and your speed while respecting the code of the road, the code of the sidewalk and the most vulnerable. Notify your presence when approaching a pedestrian or cyclist when you are not seen or heard. Cross the protected passages while walking. Cross the protected passages while walking. Avoid high traffic areas or overcrowded areas.
- Riding with high speed or a speed that is not appropriate or adequate for the situation (bad weather conditions, bad surface conditions, or the like) may lead into a potential loss of stability or loss of control. To reduce any risk, you must follow all instructions in this manual. Be careful when mounting and dismantling the product, it may fall and cause injury.
- Traffic in the city has many obstacles to cross such as curbs or steps. It is recommended to avoid obstacle jumps. It is important to anticipate and adapt your trajectory and speed to those of a pedestrian before crossing these obstacles. It is also recommended to get out of the vehicle when these obstacles become dangerous due to their shape, height or slippage.
- Do not lend your scooter to whoever does not know the operations. Before lending the electric scooter to others, please make sure that the rider has read this instruction manual and watched the instruction video, and understood the basic operation. Remind riders to wear safety protection correctly to ensure the safety of riders.
- Contact your seller for appropriate training organizations.
- In all cases, take care of yourself and others.
- Any load attached to the handlebar will affect the stability of the vehicle.
- Do not touch the brake system, it could cause injuries due to sharp edges. The brake may become hot in use. Do not touch after use.

- The A-weighted emission sound pressure level is less than 70 dB(A).
- The mechanical vibrations transmitted by KickScooter are less than 2.5 m/s².
- For a better riding experience, it is recommended to carry out a regular maintenance of the product.
- Eliminate any sharp edges caused by use.
- Accessories and any additional items which are not approved by the manufacturer shall not be used.
- Regular maintenance of the vehicle is a factor of safety.
- The self-tightening nuts as well as the other self-tightening fastenings may lose their efficiency and that they may need to be retightened.
- Regularly check the tightening of the various bolted elements, in particular the wheel axles, the folding system, the steering system and the brake shaft.
- Do not modify or transform the vehicle, including the steering tube and sleeve, stem, folding mechanism and rear brake.
- Do not make any modifications that are not noted in the instructions.
- Make sure the scooter is turned off when being transported and kept in its original packaging if possible.
- In order to avoid accidental injuries such as electric shock and fire caused by improper use, please read the instructions carefully before use, and keep them properly for future reference.
- Please use this product in accordance with the instructions in the User Manual. Users are responsible for any loss or damage arising from improper use of this product.
- Power-off the vehicle during charging, or into a certain nonoperational mode.
- Do not charge if the charge port or charge cable is wet. Read this manual carefully before charging.
- Do not charge the scooter at an ambient temperature above 40°C or below 0°C.
- Please keep a safe distance when the scooter is driving on a level/no slope road. The braking distance will increase in wet weather.
- The shock absorption of this product is not adjustable (if applicable).
- The appliance is not intended for use at elevations greater than 2000 m above sea level.
- The appliance shall be disconnected from its power source during service and when replacing parts.
- The external flexible cable or cord of this transformer cannot be replaced; if the cord is damaged, the transformer shall be scrapped.
- If the external flexible cable or cord of this transformer is damaged, it shall be replaced by the manufacturer or their service agent or a similarly qualified person in order to avoid a hazard.
- If the supply cord is damaged, it must be replaced by the manufacturer, its service agent or similarly qualified persons in order to avoid a hazard.
- This product contains batteries that can only be replaced by qualified technicians or after-sales service
- This appliance contains batteries that are only replaceable by skilled persons.
- **WARNING! For the purposes of recharging the battery, only use the detachable supply unit provided with this appliance. Do not use a battery charger from any other product. Keep a safe**

distance from the surrounding combustibles when charging, the vehicle must be placed in a well-ventilated area.

- **WARNING! Do not use any third-party battery or battery charger. Use only with LI-0554200130NA supply unit.**
- **WARNING! Keep plastic covering away from children to avoid suffocation.**
- **WARNING! Never use the product close to a water source.**
- **WARNING! Stop using the product when damaged.**
- **WARNING! As with any mechanical component, a vehicle is subject to high stresses and wear. The various materials and components may react differently to wear or fatigue. If the expected service life for a component has been exceeded, it may break suddenly, therefore risking causing injuries to the user. Cracks, scratches and discoloration in the areas subject to high stresses indicate that the component has exceeded its service life and please contact an authorized or a specialized repairer.**

 detachable power supply part

Environmental Instructions

The scooter contains a rechargeable lithium-ion battery pack, and improper disposal of these batteries will cause harm to the environment. Follow the steps below to remove the batteries before disposing of the scooter and discard the batteries properly:

1. Before removing the batteries, it is recommended to fully deplete them and ensure that the scooter is disconnected from the power supply. Next, unscrew the bottom cover of the scooter to remove it, and remove the battery pack retaining bracket.
2. Unplug the battery connector, and then remove the batteries. Do not damage the battery case to avoid any risk of injuries. Do not use the battery if it is damaged, has a strange odor, emits smoke, or gets overheated. Keep a leaking battery away from other objects.
3. Discard the removed batteries at a professional recycling facility.

To find a qualified service shop, contact us via service@navee.tech/www.naveetech.com

2. Power on/off and light instructions

Power on/off

Press the button  to turn the scooter on, and hold the button  for 2 to 3 seconds to turn the scooter off. When the scooter is on, press twice to change riding modes.

Light

When the scooter is on, press the power button to turn on/off the headlight and taillight. Alternatively, you can enable the automatic light-sensing function via the APP. During the ride, the headlight and taillight will turn on/off automatically based on ambient light brightness.

Note: After activating the automatic light-sensing function, if you manually turn the light on or off, this function will temporarily deactivate. You will need to restart the electric scooter for it to take effect.

Steering light

When the scooter is on, press the left or right steering light button, then the corresponding steering light and the indicator on the control panel will blink. Meanwhile, the buzzer will respond at the same frequency. Press the button again to turn off the steering light.

Brake light

When riding, hold the brake lever and the brake light (taillight) lights up.

3. Care & Maintenance

Cleaning

Before cleaning the scooter, you must turn off the power, unplug the charging cables and close the charging cover tightly.

Wipe the main chassis with a soft damp cloth, the hard-to-remove dirt can be scrubbed with a toothbrush. Afterwards, wipe all areas with a dry cloth.

WARNING!

- Do not wash the scooter with a high-pressure water spray.
- Do not clean the scooter with corrosive cleaner, which will damage the external and internal structure of the scooter.

Battery

Always charge before exhausting the battery to prolong the battery's lifespan.

When riding, storing or charging, do not exceed the specified temperature limit (refer to specifications). Failure to follow instructions for use, storage or charging may result in battery damage, failure to charge and void warranty.

The fully charged scooter has an approximate standby time of 120-180 days. If it is not used for a long time, it should be charged every 30 days. Please pay attention to the standby time to prevent irreversible damage to the battery caused by not charging.

WARNING!

- Do not use battery packs of other models or brands, as there may be a safety risk.
- Only use the original battery charger to avoid potential damage or fire.
- If the battery is damaged or soaked with water, do not charge or continue to use it.
- Do not remove the battery. Removing the battery is complicated, and improper operation may affect the operation of the scooter.

Storage

If the scooter will not be used for an extended period, fully charge it, then turn it off and store it in a cool, dry place. Make sure the scooter is turned off when being transported and kept in its original packaging if possible.

WARNING!

- Please do not leave the scooter under hot sun or severely humid place for extended periods of time.
- Please do not place the scooter near flammable materials.
- This product contains a built-in lithium battery and must be transported only when permitted by local laws and regulations.

Scooter Maintenance Schedule (Recommended):

Maintaining the scooter regularly can help keep the scooter neat and in good condition, avoid safety hazards, minimize breakdowns, slow down the deterioration of the scooter, and extend the scooter's service life.

Item	Service Object	Actions	Every month	Every 3 months	Every 500 km/ 6 months	Every 1000 km/ 1 year	Every 10000 km/ 3 years
Tires	Tire Pressure	Inflate the tire until its pressure reaches 45-50 psi.	√		√	√	√
	Tire Tread Wear	Check whether the tire is cracked, deformed, worn, etc.			√	√	√
Screws	Handlebar Assembly Screws	Tighten the screw that connects the handlebar assembly with the stem assembly (with the recommended torque of 4.8 ± 0.2 N·m).		√	√	√	√
		Tighten the accelerator screw (with the recommended torque of 1.6 ± 0.1 N·m).					
		Tighten the brake lever screw (with the recommended torque of 5 ± 0.2 N·m).				√	√

Item	Service Object	Actions	Every month	Every 3 months	Every 500 km/ 6 months	Every 1000 km/ 1 year	Every 10000 km/ 3 years
Functions	Brake Adjustment	Before adjusting, make sure the scooter is turned off and not being charged. Tool: 14 mm hex key (the tool needs to be prepared by the user). When the brake is too tight, use the tool to turn the nut on the screw rod counterclockwise, so as to slightly shorten the brake cable's exposed bottom part. When the brake is too loose, use the tool to turn the nut on the screw rod clockwise, so as to slightly lengthen the brake cable's exposed bottom part.			√	√	√
	Charging	Charge the scooter at a suitable temperature. The indicator on the battery charger is red when the scooter is charging, and turns green when the scooter is fully charged. The control panel will show the charging status simultaneously during charging.			√	√	√
	Steering	Turn the handlebar 60° to the left and right to make sure the turning angle is correct and the steering is free from resistance and stagnation.				√	√
Important Components	Battery Assembly	Fully charge the scooter before leaving it unused for a long time, and turn it on to charge every 60 days.					√

Wheels, brake pads and other vulnerable parts are worn or damaged and need to be replaced, please contact the after-sales service in time.

4. Specifications

Product	Name	NAVEE Electric Scooter		
	Model	S40-E	S40-D	
Dimensions	Vehicle: L × W × H (mm) [1]	1195 × 610 × 1280		
	After Folding: L × W × H (mm)	1195 × 605 × 560		
Net Weight	Vehicle Net Weight (kg)	22.2		
Rider	Load Range (kg)	25-120		
	Age (years)	16-50		
	Body Length (cm)	120-200		
Assembled Electric Scooter	Max. Speed (km/h)	25	20	
	General Range (km) [2]	Approx. 40		
	Max. Climbing Angle (%)	Approx. 18		
	Suitable Surfaces	Cement or asphalt road, with benches of less than 1 cm or crevices narrower than 3 cm		
	Operating Temperature (°C)	-10 to 40		
	Storage Temperature (°C)	-20 to 45		
	IP Rating	IPX5		
	Charging Time (h)	Approx. 6		
	Battery Pack	Model	T2208-BA3A	
		Nominal Voltage (VDC)	36	
Max. Charge Voltage (VDC)		42		
Rated Energy (Wh)		275.4		
Intelligent Battery Management System		Over-heating, short circuit, over-current, over-discharge, and over-charge protection		
Normal Charging Temperature Range (°C)		0 to 40		
Rated Capacity (Ah)		7.65		
Wheel Motor	Rated Power (kW; W)	0.35; 350		
	Model [3]	LI-0554200130NA		
Battery Charger	Output Power (kW; W)	0.0533; 53.3		
	Input	100-240 V~ 50-60 Hz		
	Max. Output Voltage (VDC)	42.0		
	Rated Output (VDC; A)	41.0; 1.3		
Tire	Front & Back Tires	10-inch pneumatic tires		
	Bluetooth	Frequency Band (s)	2.4000 - 2.4835 GHz	
		Max. RF Power (dBm)	8	

[1] Vehicle height: From the ground to the top of the scooter.

[2] General range: Measured when there is no wind and at 25°C, the scooter is fully charged to ride at a constant speed of 15 km/h on a flat surface with a load of 75 kg.

[3] To recharge the battery, only use the battery charger provided in the package. Please see battery charger parameters in Specifications.

5. Certification

Restriction of Hazardous Substances Directive (RoHS)

This Brightway Innovation Intelligent Technology (Suzhou) Co., Ltd. product, with included parts (cables, cords, and so on) meets the restriction of the use of certain hazardous substances in electrical and electronic equipment 2011/65/EU Annex II and its amendment Directive (EU) 2015/863.

EU Declaration of Conformity



This device meets the EU requirements on the limitation of exposure of the general public to electromagnetic fields by way of health protection.

Hereby, Brightway Innovation Intelligent Technology (Suzhou) Co., Ltd. declares that the radio equipment type: [S40-E] and [S40-D] are in compliance with Directive 2014/53/EU and 2006/42/EC. The full text of the EU declaration of conformity is available at the following internet address: www.naveetech.com



Hereby, Brightway Innovation Intelligent Technology (Suzhou) Co., Ltd. declares that the radio equipment type [S40-E] is in compliance with the Radio Equipment Regulations 2017, Supply of Machinery (Safety) Regulations 2008 and the Restriction of the Use of Certain Hazardous Substances in Electrical and Electronic Equipment Regulations 2012. The full text of the UK declaration of conformity is available at the following internet address: www.naveetech.com

European Union Compliance Statement

Battery recycling information for the European Union



Batteries or packaging for batteries are labeled in accordance with European Directive 2006/66/EC and amendment 2013/56/EU concerning batteries and accumulators and waste batteries and accumulators. The Directive determines the framework for the return and recycling of used batteries and accumulators as applicable throughout the European Union. This label is applied to various batteries to indicate that the battery is not to be thrown away, but rather reclaimed upon end of life per this Directive.

In accordance with the European Directive 2006/66/EC and amendment 2013/56/EU, batteries and accumulators are labeled to indicate that they are to be collected separately and recycled at end of life. The label on the battery may also include a chemical symbol for the metal concerned in the battery (Pb for lead, Hg for mercury, and Cd for cadmium). Users of batteries and accumulators must not dispose of batteries and accumulators as unsorted municipal waste, but use the collection framework available to customers for the return, recycling, and treatment of batteries and accumulators. Customer participation is important to minimize any potential effects of batteries and accumulators on the environment and human health due to the potential presence of hazardous substances.

Before placing electrical and electronic equipment (EEE) in the waste collection stream or in waste collection facilities, the end user of equipment containing batteries and/or accumulators must remove those batteries and accumulators for separate collection.

Waste Electrical and Electronic Equipment (WEEE) Directive



All products bearing this symbol are waste electrical and electronic equipment (WEEE as in directive 2012/19/EU) which should not be mixed with unsorted household waste. Instead, you should protect human health and the environment by handing over your waste equipment to a designated collection point for the recycling of waste electrical and electronic equipment, appointed by the government or local authorities. Correct disposal and recycling will help prevent potential negative consequences to the environment and human health. Please contact the installer or local authorities for more information about the location as well as terms and conditions of such collection points.

Safety Warning



Danger!
Read user manual before use.



WARNING
Read carefully and keep for future reference.



WARNING
Hot Surface



Do not expose to moisture



Light



SMPS incorporating a short-circuit-proof safety isolating transformer (inherently or non-inherently)



SMPS (Switch mode power supply unit)



Time-lag miniature fuse-link where X is the symbol for the time/current characteristic as given in IEC 60127



WARNING
For indoor use only (for the charger).



WARNING
Class II appliance



WARNING
Sharp Edges



The charger intended for use at altitudes not exceeding 5000m.



Direction indicator



Direct current



Alternating current



Polarity of the charger output, center positive

Battery Charger

WARNING

1. The charger is designed for indoor use only. Do not expose it to rain or snow.
2. Do not use for non-rechargeable batteries, as they can overheat and break.
3. Misuse other types of batteries may burst causing personal injury and damage.
4. Do not incinerate, disassemble or short circuit batteries.
5. If the performance of the batteries decrease substantially, it is time to replace the batteries.
6. Store the charger in a cool and dry place when not in use.
7. Disconnect the supply before making or breaking the connections to the battery.
8. Explosive gases. Prevent flames and sparks. Provide adequate ventilation during charging.
9. During charging, the battery must be placed in a Well Ventilated area.
10. Keep electrical appliances out of reach from Children or infirm persons. Do not let them use the appliances without supervision.
11. This appliance is not intended for use by persons (including children) with reduced physical, sensory or mental capabilities, or lack of experience and knowledge, unless they have been given supervision or instruction concerning use of the appliance by a person responsible for their safety. Children should be supervised to ensure that they do not play with the appliance.
12. This appliance can be used by children aged from 8 years and above and persons with reduced physical, sensory or mental capabilities or lack of experience and knowledge if they have been given supervision or instruction concerning use of the appliance in a safe way and understand the hazards involved. Children shall not play with the appliance. Cleaning and user maintenance shall not be made by children without supervision.
13. The external flexible cable or cord of this transformer cannot be replaced; if the cord is damaged, the transformer shall be scrapped.
14. If the supply cord is damaged, it must be replaced by a special cord or assembly available from the manufacturer or its service agent.

Charging instructions

1. Connect the charger directly to a power source. Never use extension cords.
2. The charger can only charge Lithium-ion battery LI-0554200130NA.
3. Avoid reverse charging.
4. The chargers are not intended to charge automobile batteries.

WARNING

1. Do not dismantle, open or shred secondary cells or batteries.
2. Keep batteries out of the reach of children. Battery usage by children should be supervised. Especially keep small batteries out of reach of small children.
3. Seek medical advice immediately if a cell or a battery has been swallowed.
4. Do not expose cells or batteries to heat or fire. Avoid storage in direct sunlight.
5. Do not short-circuit a cell or a battery. Do not store cells or batteries haphazardly in a box or drawer where they may short-circuit each other or be short-circuited by other metal objects.
6. Do not remove a cell or battery from its original packaging until required for use.
7. Do not subject cells or batteries to mechanical shock.
8. In the event of a cell leaking, do not allow the liquid to come in contact with the skin or eyes. If contact has been made, wash the affected area with copious amounts of water and seek medical advice.
9. Do not use any charger other than that specifically provided for use with the equipment.
10. Observe the plus (+) and minus (-) marks on the cell, battery and equipment and ensure correct use.
11. Do not use any cell or battery which is not designed for use with the equipment.
12. Do not mix cells of different manufacture, capacity, size or type within a device.
13. Always purchase the battery recommended by the device manufacturer for the equipment.
14. Keep cells and batteries clean and dry.
15. Wipe the cell or battery terminals with a clean dry cloth if they become dirty.
16. Secondary cells and batteries need to be charged before use. Always use the correct charger and refer to the manufacturer's instructions or equipment manual for proper charging instructions.
17. Do not leave a battery on prolonged charge when not in use.
18. After extended periods of storage, it may be necessary to charge and discharge the cells or batteries several times to obtain maximum performance.
19. Retain the original product literature for future reference.
20. Use the cell or battery only in the application for which it was intended.
21. When possible, remove the battery from the equipment when not in use.
22. Dispose of properly.

1. Consignes de sécurité

IMPORTANT : À lire attentivement et à conserver pour consultation ultérieure. Rendez-vous sur www.naveetech.com pour consulter l'e-manuel détaillé.

- **C**onserver les instructions imprimées pour consultation ultérieure et les lire attentivement avant utilisation.
- **C**e produit n'est pas destiné à être utilisé par des personnes (y compris des enfants) aux capacités physiques, sensorielles ou mentales réduites ou manquant d'expérience et de connaissance, sauf s'ils sont sous la surveillance d'une personne responsable de leur sécurité ou s'ils ont reçu des instructions sur la manière d'utiliser le produit.
Les enfants doivent être surveillés pour s'assurer qu'ils ne jouent pas avec le produit.
- **C**e produit est conçu pour des personnes de 8 ans et plus. Les enfants ne doivent pas jouer avec ce produit.
Le nettoyage et l'entretien du produit ne doivent pas être effectués par des enfants sans supervision.
- **L**e produit doit être utilisé uniquement avec le bloc d'alimentation fourni.
- **A**vant de rouler, veuillez porter un casque, des protections pour les mains et les poignets, des genouillères, des coudières et d'autres équipements de protection à tout moment.
Une conduite inappropriée peut provoquer des chutes ou des accidents graves.
- **L**a trottinette doit être utilisée par une seule personne à la fois. Obligation de toujours porter des chaussures.
Ne détournez pas l'usage du véhicule. **C**e produit est destiné uniquement à l'usage personnel et n'est pas conçu pour une utilisation acrobatique ou cascadeuse.
- **C**ette trottinette électrique est un appareil de loisirs. **C**ependant, lorsque vous êtes dans un espace public, la trottinette est considérée comme un véhicule sujet à des risques potentiels.
- **P**our votre sécurité, veuillez suivre les instructions contenues dans le manuel ainsi que les lois et réglementations locales en matière de circulation routière.
Il convient que l'utilisateur vérifie les limites d'utilisation conformément à la réglementation locale en vigueur (par exemple, utilisation en zone piétonne, sur route).
- **C**e produit est recommandé pour les personnes âgées de plus de 16 ans et de moins de 50 ans. Les personnes pour lesquelles ce produit n'est pas adapté incluent : (1) les personnes étant sous influence de l'alcool ou de drogues, (2) les personnes étant dans l'incapacité d'entreprendre des activités physiques intenses en raison de leur santé ou de leur condition physique, (3) les personnes étant dans l'incapacité de garder leur équilibre ou ne pouvant garder leur équilibre en raison d'une déficience motrice, (4) les personnes dont le poids est supérieur à la limite autorisée pour le produit, (5) les femmes enceintes, (6) les personnes souffrant d'un handicap visuel et/ou auditif.
- **R**espectez les lois et réglementations locales quand vous roulez. **N**e roulez pas dans les endroits interdits par les lois locales.
- **Q**uand vous roulez dans des pays ou des régions où il n'existe aucun standard ni aucune réglementation

national(e) pertinent(e), veillez à suivre strictement les consignes de sécurité de ce manuel d'utilisation à l'attention des conducteurs.

Brightway innovation Intelligent Technology (Suzhou) Co., Ltd. n'assumera aucune responsabilité directe ou conjointe pour les pertes matérielles, personnelles, les accidents, les litiges d'ordre juridique et autres événements préjudiciables pouvant causer des conflits d'intérêt en raison d'un non-respect des consignes d'utilisation.

- Ne roulez pas sur les voies de circulation ou les zones résidentielles où les véhicules et les piétons sont tous deux autorisés. Quand vous passez par un endroit destiné aux piétons et où ils ont la priorité, comme un passage piéton, descendez pour marcher avec la trottinette à la main.
- Ne choisissez pas pour votre première sortie des endroits où les enfants, les piétons, les animaux domestiques, les vélos ou autres obstacles et dangers potentiels peuvent survenir.
- Les préparatifs nécessaires à l'utilisation de ce produit consistent à s'assurer que le système de direction soit correctement réglé, que tous les accessoires connectés (tels que le système de pliage) soient correctement serrés et ne soient pas endommagés, et que les freins et les roues soient en bon état.
- Prenez le temps d'apprendre les bases de la pratique pour éviter tout accident grave pouvant survenir dans les premiers mois. Informations sur la pratique et l'utilisation en toute sécurité (disponibles sur le site Internet : www.naveetech.com)
- Veillez allumer les phares et ralentir lorsque vous conduisez dans des conditions de faible luminosité.
- Effectuez une inspection de base de la trottinette électrique avant chaque sortie. En cas de situation anormale, comme des pièces desserrées, une alerte de batterie faible, des pneus dégonflés ou une usure excessive des pneus, des sons étranges, des dysfonctionnements et autres situations anormales, arrêtez immédiatement de rouler et faites appel à un professionnel.
- Attention, le frein peut monter en température lorsqu'il est utilisé. Ne pas le toucher après utilisation.
- Les écrous autobloquants et les autres fixations autobloquantes peuvent perdre de leur efficacité et avoir besoin d'être resserrés.
- Comme l'efficacité du freinage ainsi que le frottement entre le pneu et la route se détériorent par temps humide, il est plus difficile de contrôler la vitesse et plus facile de perdre le contrôle. Ralentissez et freinez tôt lorsqu'il pleut.
- Prenez des précautions lorsque vous conduisez, et faites attention à votre sécurité, à la circulation et aux piétons. Évitez les zones à fort trafic et encombrées. Si vous avez une pente (qui ne doit pas excéder 6°) celle-ci doit être mise impérativement dans les positions suivantes.
- Ce véhicule n'est pas destiné à un usage acrobatique.
- Cette trottinette ne doit être utilisée que par une seule personne à la fois.
- Pour rouler en toute sécurité, vous devez voir clairement ce qui est en face de vous et être clairement visible pour les autres.
- Ne conduisez pas par mauvais temps, quand la visibilité est mauvaise ou après une activité physique intense.
- Assurez-vous que la béquille soit positionnée sur une surface plane et que la trottinette est suffisamment stable avant de la quitter.
- La trottinette électrique est un équipement de loisir. Toutefois, quand vous pénétrez dans un lieu public, il sera considéré comme un moyen de transport et vous soumettra aux mêmes risques de sécurité éventuels que tous les autres modes de transport. Le strict respect des instructions contenues dans ce manuel vous protégera, vous


et les autres.

- L'utilisateur doit se renseigner sur les limites d'utilisation de la trottinette selon la réglementation locale. Conduisez la trottinette sur les routes et dans les zones autorisées par les lois et les réglementations locales et garez-la dans les zones autorisées. Si les lois et les réglementations locales ont des dispositions différentes concernant la vitesse maximale autorisée, les lois et les réglementations prévalent. Veuillez respecter les règles du code de la route.
- Respectez les passages réservés aux piétons. Essayez de ne pas les surprendre quand vous roulez, particulièrement les enfants. Quand vous roulez derrière des piétons, actionnez la sonnette pour les prévenir et ralentissez pour les dépasser sur leur gauche, et maintenez votre droite en roulant lentement quand vous passez au milieu des piétons (dans les pays où les véhicules roulent à droite). Quand vous roulez au milieu des piétons, roulez le plus lentement possible ou descendez de la trottinette.
- Dans tous les cas, anticipez votre trajectoire et votre vitesse en respectant le code de la route et les réglementations sur les trottoirs et en respectant les plus vulnérables. Avertissez de votre présence quand vous approchez d'un piéton ou d'un cycliste quand vous n'êtes pas visible ou audible. Traversez aux passages piétons quand vous marchez. Traversez aux passages piétons quand vous marchez. Évitez les zones à circulation dense ou les zones bondées.
- Le fait de rouler à grande vitesse ou à une vitesse non adaptée à la situation (mauvais temps, terrain en mauvais état ou autres conditions similaires) peut conduire à une perte de stabilité ou à une perte de contrôle. Pour éviter tout risque, vous devez respecter toutes les instructions contenues dans ce manuel Soyez prudent quand vous montez ou démontez ce produit, car il peut tomber et causer des blessures.
- La circulation en ville présente de nombreux obstacles tels que des bordures et des marches. Il est recommandé d'éviter de sauter les obstacles. Il est important d'anticiper et d'adapter votre trajectoire et votre vitesse à ceux des piétons avant de passer ces obstacles Il est également recommandé de descendre de la trottinette quand ces obstacles deviennent dangereux en raison de leur forme, leur hauteur ou leur manque d'adhérence.
- Ne prêtez pas votre trottinette à une personne qui ne connaît pas son fonctionnement. Avant de prêter la trottinette électrique, assurez-vous que la personne a lu ce manuel et a regardé la vidéo de présentation et qu'elle a compris le fonctionnement de l'engin. Il est rappelé aux conducteurs de porter correctement les équipements de protection pour assurer leur sécurité.
- Contactez votre vendeur pour connaître des organismes de formation compétents.
- Dans tous les cas, soyez attentifs à vous-même et aux autres.
- Toute charge attachée au guidon affectera la stabilité du véhicule.
- Ne touchez pas le système de freinage pour éviter des blessures dues aux bords coupants. Le frein peut chauffer pendant l'utilisation. Ne pas le toucher après l'avoir utilisé.
- Le niveau sonore avec la pondération A est inférieur à 70 dB(A).
- Les vibrations mécaniques transmises par le scooter sont inférieures à 2,5 m/s².
- Pour une meilleure expérience de conduite, il est recommandé d'effectuer une maintenance régulière du produit.
- Supprimez tout bord tranchant causé par l'usure.
- Les accessoires et les autres éléments qui ne sont pas approuvés par le fabricant ne doivent pas être utilisés.
- La maintenance régulière du véhicule est un facteur de sécurité.
- Les écrous auto-serrants ainsi que les autres fixations auto-serrantes peuvent perdre de leur efficacité et il peut être nécessaire de les resserrer.

- Contrôlez régulièrement le serrage des divers éléments vissés, en particulier les axes des roues, le système pliant, le système de direction et l'arbre de frein.
- Ne modifiez pas et ne transformez pas le véhicule, que ce soit la colonne et les manchons de direction, la potence, le mécanisme de pliage ou le frein arrière.
- N'apportez aucune modification qui ne soit pas mentionnée dans les instructions.
- Assurez-vous d'éteindre la trottinette pour le transport et de la conserver dans son emballage d'origine si possible.
- Pour éviter des blessures accidentelles telles que des chocs électriques et des incendies en raison d'une mauvaise utilisation, veuillez lire les instructions attentivement avant d'utiliser la trottinette et conservez-les soigneusement pour vous y référer ultérieurement.
- Veuillez utiliser le produit conformément aux instructions contenues dans le manuel de l'utilisateur. Les utilisateurs sont responsables de toute perte ou dommage résultant d'une mauvaise utilisation de ce produit.
- Éteignez le véhicule ou mettez-le en mode non opérationnel pendant la charge.
- Ne chargez pas la trottinette si le port de charge ou le câble de charge est mouillé. Lisez ce manuel attentivement avant de charger.
- Ne chargez pas la trottinette par une température ambiante supérieure à 40 °C ou inférieure à 0 °C.
- Il est nécessaire de vérifier que le système de direction est bien réglé, que tous les éléments de liaison (tels que le système de pliage) sont bien serrés et ne sont pas cassés, et que les freins et les roues sont en bon état. Utilisez une clé pour régler la vis si vous sentez que le levier de frein est trop serré ou trop lâche.
- Utilisez d'abord votre levier de frein droit lors du freinage. Veuillez éviter de freiner trop brusquement en utilisant le frein gauche.
- Ne pas toucher le disque de frein
- Prendre le temps d'apprendre les bases de la pratique pour éviter qu'un accident grave ne survienne lors des premiers mois. Se rapprocher du vendeur pour être orienté vers un organisme de formation approprié.
- Signaler sa présence à l'approche d'un piéton ou d'un cycliste qui risque de ne pas avoir vu ou entendu le véhicule.
- Ne pas détourner le véhicule de son usage initial.
- Contrôler régulièrement le serrage des différents éléments boulonnés, notamment les axes de roue, le système de pliage, le système de direction et l'axe de frein
- Éliminer les arêtes vives engendrées par l'utilisation.
- Obligation de porter des chaussures en permanence.
- Aucune lubrification n'est nécessaire pour l'entretien du véhicule.
- Puissance nominale continue maximale du moteur électrique: 350 W.
- Taille maximum et minimum de l'utilisateur: 120–200 cm. Poids maximum de l'utilisateur: 120 kg.
- Surfaces adaptées: Ciment, asphalte et chemins de terre ; avec des bermes inférieures à 1 cm et des crevasses inférieures à 3 cm.
- Veuillez rouler sur un terrain plat, propre et sec et, si possible, à distance des autres usagers de la route.
- Veuillez garder une distance de sécurité lorsque le scooter roule sur une route plate ou sans pente. La distance de freinage augmentera par temps humide.

- L'absorption des chocs de ce produit n'est pas ajustable (le cas échéant).
- L'appareil n'est pas destiné à être utilisé à des altitudes supérieures à 2000 m au-dessus du niveau de la mer.
- L'appareil doit être déconnecté de sa source d'alimentation pendant l'entretien et le remplacement des pièces.
- Le câble souple externe de ce transformateur ne peut pas être remplacé, en cas d'endommagement du cordon, il convient de mettre le transformateur au rebut.
- Si le câble ou le cordon flexible externe de ce transformateur est endommagé, il doit être remplacé par le fabricant, son agent de service ou une personne de qualification similaire afin d'éviter tout danger.
- Si le cordon d'alimentation est endommagé, il doit être remplacé par le fabricant, son agent de service ou une personne de qualification similaire afin d'éviter tout danger.
- Ce produit contient des batteries qui ne peuvent être remplacées que par des personnels qualifiés ou le service après-vente.
- Cet appareil contient des batteries qui ne peuvent être remplacées que par des personnes qualifiées.
- **ATTENTION ! Pour recharger la batterie, utilisez uniquement le bloc d'alimentation amovible fourni avec l'appareil. N'utilisez pas de chargeur de batterie provenant d'un autre produit. Gardez une distance de sécurité par rapport aux combustibles environnants lors de la recharge, le véhicule doit être placé dans un endroit bien ventilé.**
- **ATTENTION ! N'utilisez pas la batterie ou l'adaptateur secteur de quelqu'un d'autre. À utiliser uniquement avec le bloc d'alimentation LI-0554200130NA.**
- **ATTENTION ! Gardez l'emballage plastique à distance des enfants pour éviter un risque de suffocation.**
- **AVERTISSEMENT ! N'utilisez jamais ce produit à proximité d'une source d'eau.**
- **AVERTISSEMENT ! Arrêtez d'utiliser le produit lorsqu'il est endommagé.**
- **ATTENTION ! Comme avec tout composant mécanique, un véhicule est soumis à de fortes contraintes et à une forte usure. Les divers matériaux et composants peuvent réagir différemment à l'usure ou sous un usage intensif. Si la durée de vie prévue pour un composant est dépassée, il peut se**

briser soudainement et causer éventuellement des blessures à l'utilisation. Les craquelures, les éraflure et la décoloration des zones soumises à de fortes contraintes indiquent que le composant a dépassé sa durée de vie. Contactez un réparateur autorisé ou spécialisé.

 : Unité d'alimentation amovible

Consignes de recyclage

La trottinette contient un bloc batterie lithium-ion rechargeable, et une mauvaise élimination de ces batteries peut être nocive à l'environnement. Suivez les étapes ci-dessous pour retirer les batteries avant de jeter la trottinette et d'éliminer les batteries correctement :

1. Avant de retirer la batterie, il est recommandé de la décharger complètement et de s'assurer que le scooter est déconnecté de l'alimentation. Ensuite, dévissez le couvercle inférieur du scooter pour le retirer et retirez le support de fixation de la batterie.
2. Débranchez le raccord de la batterie puis retirez les batteries. N'endommagez pas le boîtier de la batterie pour éviter tout risque de blessure. N'endommagez pas le boîtier de la batterie pour éviter tout risque de blessure. N'utilisez pas la batterie si elle est endommagée, si elle dégage une odeur étrange, de la fumée ou si elle est en surchauffe. Toute batterie présentant une fuite doit être tenue à l'écart des autres objets.
3. Déposez les batteries retirées dans un établissement de recyclage spécialisé.

AVERTISSEMENT: Comme il en est de tout composant mécanique, un véhicule est soumis à de fortes contraintes et à l'usure. Les divers matériaux et composants peuvent réagir différemment à l'usure ou à la fatigue. Si l'on dépasse la durée de vie prévue pour un composant, il peut se rompre soudainement et risquer de blesser l'utilisateur. Les fissures, rayures et décolorations dans les zones soumises à de fortes contraintes indiquent que le composant a dépassé sa durée de vie et qu'il convient de le remplacer.

Pour trouver un atelier agréé, veuillez contacter: service@navee.tech/www.naveetech.com



FR

Cet appareil, ses accessoires, piles et cordons se recyclent

REPRISE À LA LIVRAISON



À DÉPOSER EN MAGASIN

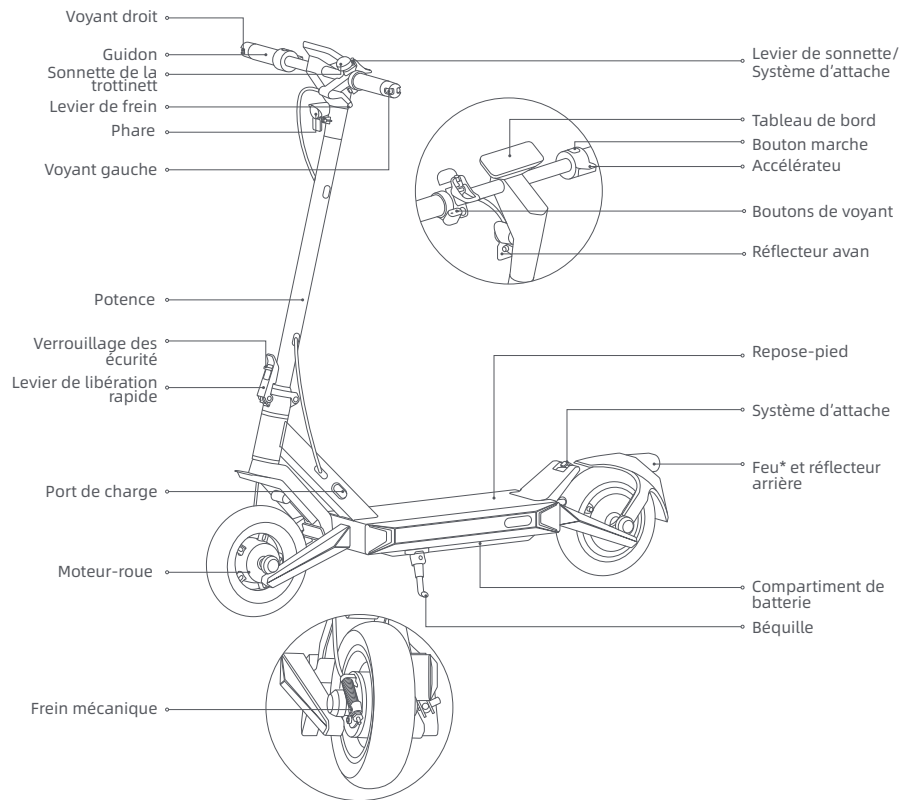


À DÉPOSER EN DÉCHÈTERIE

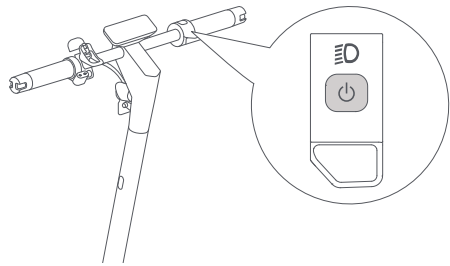




Points de collecte sur www.quefairedemesdechets.fr
Privilégiez la réparation ou le don de votre appareil !

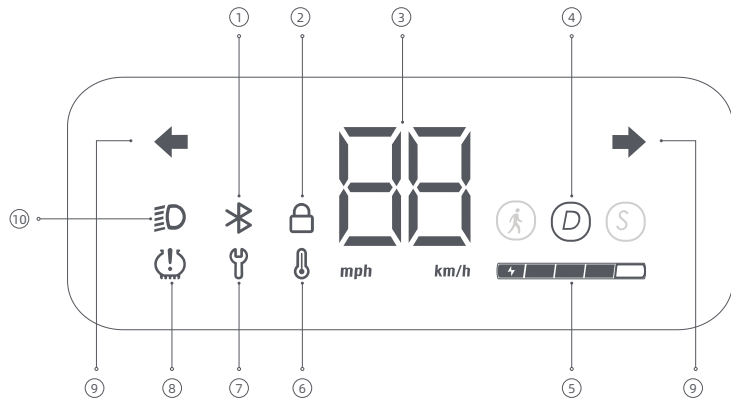
2. Présentation du produit




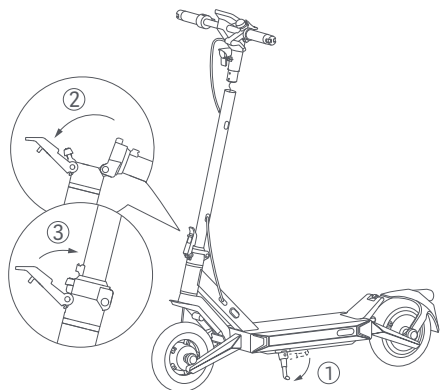
* Lorsque vous roulez, maintenez le levier de frein enfoncé et le feu de freinage (feu arrière) s'allume.



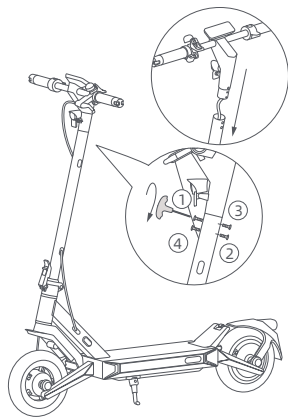
Bouton marche: Appuyez sur le bouton  pour allumer la trottinette et appuyez sur le bouton  pendant 2 à 3 secondes pour éteindre la trottinette. Allumez la trottinette, appuyez une fois pour allumer/éteindre le phare et le feu arrière, puis appuyez deux fois pour changer de mode de navigation.



- ① Bluetooth: L'icône Bluetooth est toujours allumée, indiquant que la trottinette s'est bien connectée à l'appareil mobile.
- ② Verrouillage : Lorsque l'icône s'allume, cela indique que la trottinette est verrouillée. Vous pouvez verrouiller/déverrouiller la trottinette via l'application Mi Home/Xiaomi Home.
- ③ Compteur de vitesse: Il affiche la vitesse quand la trottinette est en marche. En cas de problème sur la trottinette, il affiche un code d'erreur. Quand la trottinette est en charge, il affiche le niveau de batterie.
- ④ Modes de conduite:  est pour le mode marche, sa vitesse maximum est de 6 km/h. Le feu arrière clignote rouge quand ce mode est activé. D est pour le mode standard. S est pour le mode sport.
- ⑤ Niveau de batterie: Le niveau de batterie est indiqué par 5 barres, chacune représentant environ 20 % de la batterie pleine.
- ⑥ Alerte de température: Si la température de la batterie est trop élevée ou trop basse, l'icône du thermomètre s'allume. Attendez que la température de la batterie soit revenue dans la plage normale pour l'utiliser ou la charger.
- ⑦ Notification d'erreur: Quand l'icône de la clé s'affiche en rouge, cela indique qu'il y a une panne sur la trottinette.
- ⑧ Gonflage des pneus: Quand l'icône gonflage s'allume, cela indique qu'il est temps d'entretenir les pneus. Conseils : Après une intervention de maintenance, suivez les instructions de l'application ou appuyez en même temps sur le frein et sur le bouton d'alimentation pour éteindre le rappel de gonflage sur le tableau de bord.
- ⑨ Voyants indicateurs : Lorsque la trottinette est opérationnelle, appuyez sur le bouton de voyant gauche ou droit, le voyant correspondant et l'indicateur du panneau de commande clignoteront. En même temps, le buzzer répondra à la même fréquence. Appuyer sur le bouton pour éteindre le voyant.
- ⑩ Éclairage: Lorsque le scooter est allumé, appuyez sur le bouton de l'alimentation pour allumer/éteindre les feux avant et arrière. Vous pouvez également activer la fonction de détection automatique de la lumière via l'application. Pendant la conduite, les feux avant et arrière s'allument et s'éteignent automatiquement en fonction de la luminosité ambiante.
Remarque : Si vous avez activé la fonction de détection automatique de la lumière, mais que vous allumez ou éteignez ensuite manuellement les feux, cette fonction sera temporairement désactivée. Vous devrez redémarrer la trottinette électrique pour que la fonction soit à nouveau active.



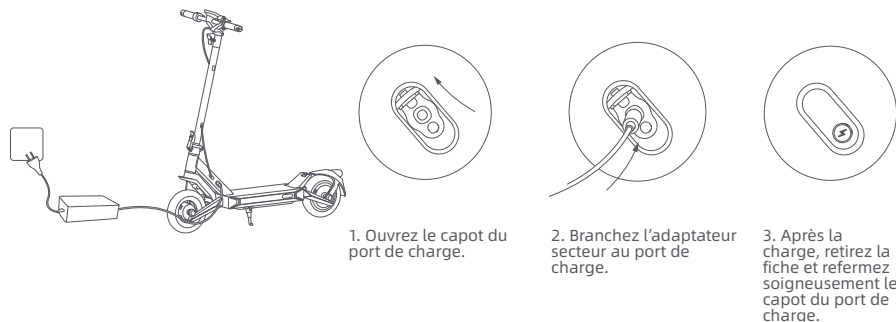
1. Sortez la trottinette du carton et la poser sur un sol stable et plat. Dressez complètement la colonne verticale en position droite, soulevez le verrouillage de sécurité et poussez la poignée de pliage à fond vers l'intérieur. Déployez ensuite la béquille.



2. Appuyez sur le verrouillage de sécurité et tirez le levier de libération rapide. Tournez ensuite le guidon à 90° dans le sens antihoraire et poussez le levier de libération rapide vers l'intérieur.

Charge

La trottinette est entièrement chargée quand la LED de l'adaptateur secteur passe du rouge au vert.



1. Ouvrez le capot du port de charge.

2. Branchez l'adaptateur secteur au port de charge.

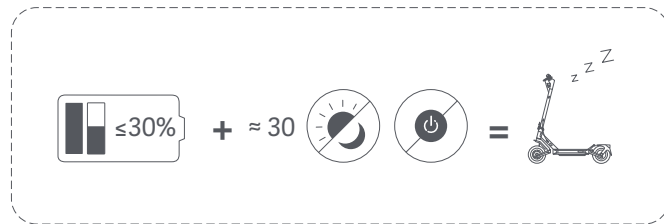
3. Après la charge, retirez la fiche et refermez soigneusement le capot du port de charge.



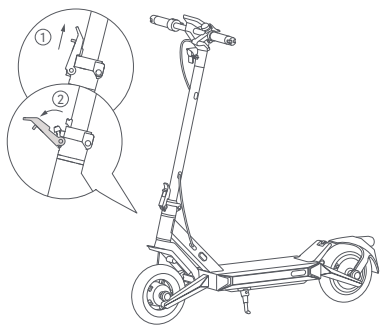
ATTENTION !

Utilisez uniquement l'adaptateur secteur d'origine pour éviter d'éventuels dommages ou incendies. Éteignez le véhicule ou sélectionnez un mode non opérationnel pendant la charge.

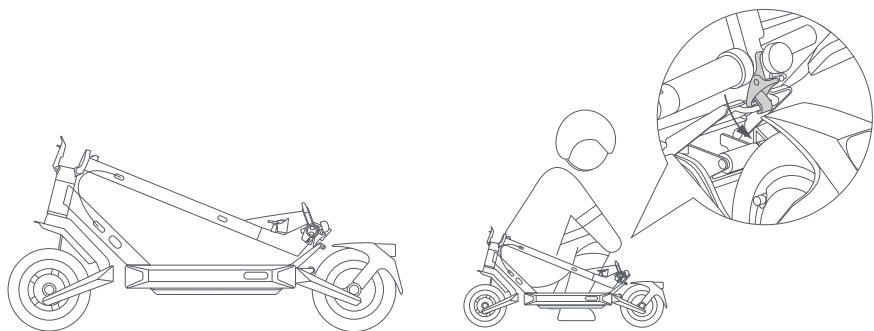
Chargez votre trottinette à l'intérieur et ne la laissez jamais prendre la pluie. Ne chargez pas quand le port de charge ou le câble d'alimentation sont mouillés. Si la batterie est endommagée ou détrempée, il est interdit de la charger ou de continuer de l'utiliser.



Lorsque la trottinette est éteinte pendant environ un mois ayant le niveau de batterie étant inférieur à 30 %, la trottinette entrera en mode veille. Dans ce cas, la trottinette ne peut pas être démarrée. Pour quitter le mode veille, charger la trottinette pendant environ trois secondes pour activer la batterie.

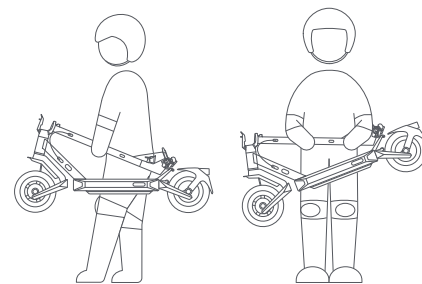


La trottinette DOIT être éteinte avant d'être pliée. Tenez le guidon, appuyez sur le verrouillage de sécurité et tirez le levier de libération rapide. Tournez ensuite le guidon à 90° dans le sens horaire et poussez le levier de libération rapide vers l'intérieur.

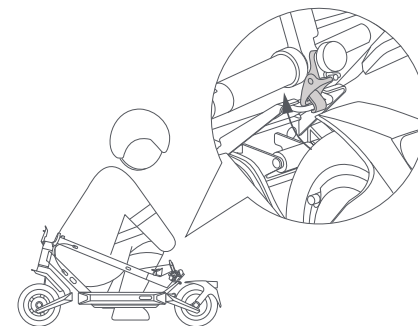


Tenez la potence, appuyez sur le verrouillage de sécurité et tirez le levier de libération rapide, puis pliez la potence.

Alignez le système d'attache avec le crochet et attachez-les ensemble.



Tenez la potence avec une ou deux main(s) pour la transporter.



Tirez le système d'attache vers le haut pour libérer le crochet. Tenez la potence puis soulevez le verrouillage de sécurité et poussez le levier de libération rapide à fond vers l'intérieur.

Astuces de sécurité : Quand vous soulevez la potence de la trottinette, ne mettez JAMAIS vos mains au niveau des parties pliantes pour éviter des blessures graves.

3. Entretien et maintenance

Nettoyage

Avant de nettoyer la trottinette, vous devez couper l'alimentation, débrancher les câbles de charge et refermer soigneusement le capot du port de charge.

Essuyez le châssis principal avec un chiffon doux humide. La saleté résistante peut être frottée avec une brosse à dent. Essuyez ensuite toutes les parties avec un chiffon sec.

ATTENTION !

- Ne lavez pas la trottinette avec de l'eau à haute pression.
- Ne nettoyez pas la trottinette avec un nettoyant corrosif, qui abîmerait la structure externe et interne de la trottinette.

Batterie

Rechargez toujours la batterie avant qu'elle soit à plat pour prolonger sa durée de vie.

Que ce soit pendant les déplacements, le stockage ou la charge, la température limite spécifiée ne doit pas être dépassée (voir les spécifications). Le non-respect des instructions d'utilisation, de stockage ou de charge peut conduire à des dommages sur la batterie, un échec de la charge et une annulation de la garantie.

La trottinette à pleine charge a une durée de veille approximative de 120-180 jours. Si elle n'est pas utilisée pendant longtemps, elle doit être rechargée tous les 30 jours. Faites attention à ce délai pour éviter des dommages irréversibles sur la batterie dus à un défaut de charge.

ATTENTION !

- N'utilisez pas de blocs batterie d'autres modèles ou marques, cela constituerait un risque pour votre sécurité.
- Utilisez uniquement l'adaptateur secteur d'origine pour éviter d'éventuels dommages ou incendies.
- Si la batterie est endommagée ou détremée, ne la chargez pas et ne continuez pas à l'utiliser.
- Ne retirez pas la batterie. Le retrait de la batterie est complexe et une mauvaise opération peut affecter le fonctionnement de la trottinette.

Stockage

Si la trottinette n'est pas utilisée pendant longtemps, chargez-la à fond puis éteignez-la avant de la stocker dans un endroit frais et sec. Assurez-vous d'éteindre la trottinette pour le transport et de la conserver dans son emballage d'origine si possible.

ATTENTION !

- Ne laissez pas trop longtemps la trottinette en plein soleil ou dans un endroit extrêmement humide.
- Ne placez pas la trottinette à proximité de matières inflammables.
- Ce produit contient une batterie lithium intégrée et doit être transporté uniquement quand cela est autorisé par les lois et réglementations locales.

Périodicité d'entretien du scooter (Recommandée) :

L'entretien régulier du scooter peut aider à garder le scooter propre et en bon état ; il permet également de prévenir les risques de sécurité, de minimiser les pannes, de ralentir la détérioration du scooter et de prolonger la durée de vie du scooter.

Article	Objet du Service	Actions	Tous les mois	Tous les 3 mois	Tous les 500 km/ 6 mois	Tous les 1000 km/ 1 an	Tous les 10000 km/ 3 ans
Pneus	Pression des Pneus	Gonfler le pneu jusqu'à ce que sa pression atteigne 45-50 psi.	√		√	√	√
	Usure de la Bande de Roulement	Vérifier si le pneu est fissuré, déformé, usé, etc.			√	√	√
Vis	Vis de l'Ensemble Guidon	Serrer la vis qui relie l'ensemble guidon à l'ensemble potence (avec le couple recommandé à 4,8 ± 0,2 N-m).		√	√	√	√
		Serrer la vis de l'accélérateur (avec le couple recommandé à 1,6 ± 0,1 N-m).					
		Serrer la vis du levier de frein (avec le couple recommandé à 5 ± 0,2 N-m).				√	√

Article	Objet du Service	Actions	Tous les mois	Tous les 3 mois	Tous les 500 km/ 6 mois	Tous les 1000 km/ 1 an	Tous les 10000 km/ 3 ans
Fonctions	Réglage des Freins	Avant de procéder au réglage, assurez-vous que le scooter est éteint et qu'il n'est pas en charge. Outil : clé hexagonale de 14 mm (l'outil doit être préparé par l'utilisateur). Pendant le réglage, tirez sur l'extrémité du câble de frein pour le serrer. Remarques : - Si le frein est trop serré, utilisez l'outil pour desserrer la vis en la tournant dans le sens inverse des aiguilles d'une montre, tirez le culbuteur du frein à disque vers l'extérieur, puis serrez la vis. Si le frein est trop lâche, utilisez l'outil pour desserrer la vis en la tournant dans le sens inverse des aiguilles d'une montre, poussez le culbuteur du frein à disque vers l'avant, puis serrez la vis.			✓	✓	✓
	Recharge	Recharger le scooter à une température appropriée. L'indicateur du chargeur de batterie est rouge lorsque le scooter est en charge, et devient vert lorsque le scooter est complètement chargé. Le panneau de commande affiche simultanément l'état de charge pendant la charge.			✓	✓	✓
	Direction	Tourner le guidon de 60° vers la gauche et la droite pour vous assurer que l'angle de braquage est correct et que le guidon ne présente aucune résistance ni stagnation.				✓	✓
Composants Importants	Ensemble Batterie	Recharger complètement le scooter avant de cesser de l'utiliser pendant une longue période, et mettez-le en charge tous les 60 jours.					✓

Si les roues, les plaquettes de frein et d'autres pièces vulnérables sont usées ou endommagées et doivent être remplacées, veuillez contacter le service après-vente à temps.

4. Marque déposée et mentions légales

 **HAVEE** est une marque déposée de Brightway Ltd. Tous droits réservés.

5. Résolution des pannes

Codes d'erreur	Raisons	Solutions
10	Panne du tableau de bord	Contactez le service après-vente pour la détection et la réparation de la panne.
11/12/28/29/40	Panne du contrôleur	
14	Panne de l'accélérateur	Vérifiez que l'accélérateur est bien revenu en position, sinon il ne peut pas fonctionner correctement.
		Contactez le service après-vente dans les meilleurs délais pour une détection et une réparation de la panne si le faisceau de câbles de l'accélérateur est débranché ou endommagé.
15	Défaillance des freins	Vérifiez que le levier de frein est bien revenu en position, sinon il ne peut pas fonctionner correctement.
		Si le câble du levier de frein se détend ou est endommagé, veuillez contacter le service après-vente immédiatement pour faire inspecter et réparer le produit.
18	Panne du moteur	Contactez le service après-vente pour la détection et la réparation de la panne.
21/24/39	Panne du bloc-batterie	
45	Surchauffe du contrôleur	Laissez refroidir la trottinette et ne l'utilisez pas avant que la température soit redevenue normale.
50	Surchauffe du bloc-batterie	
52	Erreur de communication du bloc-batterie, échec de la vérification	Essayez de redémarrer la trottinette pour restaurer le bloc-batterie. Si cela ne fonctionne pas, contactez le service après-vente pour la détection et la réparation de la panne.

6. Garantie

Si le produit est encore sous garantie, nous le réparons, le remplaçons ou le renvoyons gratuitement s'il a été confirmé que le fabricant ou le revendeur est en tort ou si le produit a été endommagé en raison d'un défaut de qualité en condition normale d'utilisation. Sauf mention contraire dans les lois pertinentes, le produit ou le composant utilisé pour le remplacement n'a pas besoin d'être neuf, mais il doit être en bon état de fonctionnement et fonctionner de manière au moins équivalente au produit ou au composant d'origine. La période de garantie est calculée à partir de la date du premier achat du produit, selon la date de la facture présentée. En cas d'absence de facture valide, la période de garantie sera de trois mois à compter de la date de production. Si la date de la facture est ultérieure à la date de livraison réelle du produit, la période de garantie sera calculée à compter de la date de livraison réelle. Les produits réparés ou remplacés continueront à être sous garantie pendant le reste de la période de garantie, dans une limite de trente (30) jours maximum. Pour faire appliquer la garantie, veuillez contacter le fabricant ou le distributeur du produit et suivez les instructions. Pour faire jouer la garantie, une facture de vente valide, exacte, complète et claire doit être présentée. La garantie ci-dessus ne s'applique pas en cas de panne, dysfonctionnement ou dommage causé par : (a) un mauvais usage, un usage abusif ou un transport, une maintenance ou un stockage non adaptés, par exemple une utilisation ou une maintenance par une température, un taux d'humidité ou un autre environnement non adaptés ; (b) une force majeure ou un accident, une coupure de réseau ou de courant et d'autres raisons indépendantes de notre volonté ; (c) une réparation ou un démontage non autorisés par le fabricant ; (d) tout produit ou service tiers ; (e) une utilisation à des fins autres que celles prévues pour le produit ; (f) une utilisation du produit contraire aux instructions du produit ; (g) une utilisation du produit à des fins commerciales ; ou (h) le dépassement de la limite de kilométrage cumulé de 2 000 km pour le corps de la trottinette. L'usure normale ou le vieillissement, les égratignures, les éraflures et les problèmes causés par des revêtements, des solvants ou d'autres produits chimiques au cours de l'utilisation habituelle du produit ne sont pas inclus dans la garantie. Si la plaque d'identification d'origine du produit est modifiée ou endommagée, la garantie n'est plus valide. Le caractère exhaustif et complet des produits et des matériaux associés n'est pas inclus dans la garantie. Vous devez inspecter les produits à réception et émettre immédiatement des réserves en cas d'anomalie(s) constatée(s). La déclaration de garantie ci-dessus s'applique à nos produits. Cette garantie accorde les droits légaux spécifiques et autres droits que vous pouvez avoir en vertu de la loi. Aucun élément de ce document n'affecte vos droits d'une manière susceptible de donner lieu à une exclusion ou à une restriction du point de vue de la loi.

Informations de garantie du produit :

Ce produit est comme toute pièce mécanique. La trottinette peut être soumise à un stress mécanique élevé et à l'usure. Les divers matériaux et composants (le mécanisme, l'axe) peuvent réagir différemment à l'usure ou à un usage intensif. Si le composant a atteint sa fin de durée de service prévue, il peut casser soudainement et présenter un risque de blessures. Si vous constatez un problème, faites réparer et remplacer les pièces sans tarder. Les craquelures, les éraflures et les décolorations qui apparaissent sur une zone soumise à forte charge indiquent que le composant a dépassé sa durée de service. Veuillez contacter le fabricant ou le revendeur pour remplacer le composant dès que possible.

Navee offre un service de garantie conforme aux réglementations locales, mais les périodes de garantie varient en fonction des pièces concernées. Pour plus de détails, veuillez consulter la boutique Navee officielle ou un revendeur local.

Carte de garantie

Au moment de l'achat, nous vous recommandons de renseigner clairement les informations suivantes et d'apposer le cachet de vente pour protéger vos droits et intérêts légaux :

Informations sur l'utilisateur	Nom complet		E-mail	
	Adresse postale			
	Téléphone		Code postal	
Informations sur le produit	Nom du produit		Date de vente	
	Modèle du produit		Numéro de facture	
Informations sur le vendeur	Nom		Téléphone	
	Adresse		Code postal	
<p>Note :</p> <p>(1) Ce formulaire devra être validé par le sceau du vendeur.</p> <p>(2) Pour les produits concernés par la réglementation des « trois garanties », cette carte de garantie équivaut au « certificat trois garanties ».</p> <p>(3) La fiche d'entretien doit être accompagnée du bon émis par l'organisme d'entretien autorisé. Veuillez le conserver dans un endroit sûr après avoir demandé un entretien du produit.</p>				

Avertissement de sécurité



Danger!
Lisez le manuel de l'utilisateur avant toute utilisation.



AVERTISSEMENT
Pour une utilisation à l'intérieur uniquement (pour le chargeur).



AVERTISSEMENT
Lire attentivement et conserver le manuel pour toute référence future.



AVERTISSEMENT
Appareil de Classe II



AVERTISSEMENT
Surface Chaude



AVERTISSEMENT
Bords Tranchants



Ne pas exposer à l'humidité



≤5000m

Les chargeur sont conçus pour être utilisés à des altitudes ne dépassant pas 5000 mètres.



Éclairage



Feu de direction



SMPS incorporant un transformateur d'isolement de sécurité résistant aux courts-circuits (intrinsèquement ou non)



Courant continu



SMPS (unité d'alimentation en mode interrupteur)



Courant alternatif



Fusible miniature à retardement où X est le symbole de caractéristique délai/courant comme indiqué dans IEC 60127.



Polarité de sortie de chargeur, centre positif

DÉCLARATION DE CONFORMITÉ DE L'UE

Appareil/équipement

Produit : NAVEE Electric Scooter **Modèle** : S40-E, S40-D, S40-S, S60-E, S60-D, SDF

Fabricant ou son représentant agréé :

Nom : Brightway Innovation Intelligent Technology (Suzhou) Co., Ltd.

Adresse : Building A2, Shangjinwan Headquarters Economic Park, No.2288, Wuzhong Avenue, Wuzhong Economic Development Zone, Suzhou Jiangsu

Pays : P.R. China

Représentant agréé des fabricants pour l'UE

Outong GmbH

Brehmstr.56,40239 Duesseldorf Germany

Tel: +4921131054698

Email Address: info@outong.de

Contact: Jie Xue

Function: Manager *Jie Xue*

Cette déclaration de conformité est publiée sous la seule responsabilité du fabricant.

Objet de la déclaration : Ci-dessus

L'objet de la déclaration décrit ci-dessus est en conformité avec les directives et/ou les lois relatives à l'harmonisation des législations suivantes de l'Union européenne :

Directive relative aux équipements radio (RED) (2014/53/UE)

Limitation de l'utilisation de certaines substances dangereuses (RoHS) (2011/65/UE)

Directive Machines (MD) (2006/42/CE)

Références aux normes harmonisées pertinentes utilisées, y compris la date de la norme, ou références aux autres agréments techniques, y compris la date de l'agrément, par rapport auquel la conformité est déclarée :

Norme harmonisée

EN 60335-1:2012+A11:2014+A13:2017+A1:2019+A14:2019+A15:2021+A2:2019

EN 62233:2008

EN 60335-1:2012+A11:2014+A13:2017+A1:2019+A14:2019+A15:2021+A2:2019

EN 62479:2010

EN 301 489-01 V2.2.3:2019

EN 301 489-17 V3.2.4:2020

EN IEC 61000-6-1:2019

EN IEC 61000-6-3:2021

EN 300 328 V2.2.2:2019

EN 17128:2020

EN ISO12100:2010

EN IEC 63000:2018

IEC 62321-3-1:2013, IEC 62321-4:2013+A1:2017,

IEC 62321-5:2013, IEC 62321-6:2015, IEC 62321-7-1:2015,

IEC 62321-7-2:2017, IEC 62321-8:2017

Signé pour et au nom de:

Lieu et date d'émission:

Signature:

Nom, fonction:

Laboratoire de test

TÜV Rheinland (China) Ltd.

TÜV Rheinland (Shenzhen) Co., Ltd.

TÜV Rheinland(Shanghai) Co., Ltd.

TÜV Rheinland(Shanghai) Co., Ltd.

Zhejiang Novi Total Quality Assurance Co., Ltd.

Brightway Innovation Intelligent Technology (Suzhou) Co., Ltd.

Jiangsu P.R. China, 2024-05-19

Wen-tao Shi
Wentao Shi, Certificate Engineer

7. Caractéristiques

Produit	Nom	NAVEE Electric Scooter	
	Modèle	540-E	S40-D
Dimensions	Véhicule : L x l x H (mm) ^[1]	1195 x 610 x 1280	
	Après pliage : L x l x H (mm)	1195 x 605 x 560	
Poids net	Poids net du véhicule (kg)	22,2	
Utilisateur	Plage de charge (kg)	25 à 120	
	Âge (années)	16 à 50	
	Taille (cm)	120 à 200	
Trottinette électrique assemblée	Vitesse maximale (km/h)	25	20
	Plage générale (km) ^[2]	Environ 40	
	Angle maximum de montée (%)	Environ 18	
	Surfaces adaptées	Route revêtu en ciment et d'asphalte, avec des bermes inférieures à 1 cm ou des crevasses inférieures à 3 cm.	
	Température de fonctionnement (°C)	-10 à 40	
	Température de stockage (°C)	-20 à 45	
	Indice de protection (IP)	IPX5	
	Temps de charge (h)	Environ 6	
Bloc de batterie	Modèle	T2208-BA3A	
	Tension nominale (VCC)	36	
	Tension d'entrée maximale (VCC)	42	
	Énergie nominale (Wh)	275,4	
	Système intelligent de gestion de batterie	Surchauffe, court-circuit, surintensité, surcharge et protection contre la surcharge	
	Plage de températures de charge normales (°C)	0 à 40	
Moteur-roue	Capacité nominale (Ah)	7,65	
	Puissance nominale (kW ; W)	0,35 ; 350	
Chargeur de batterie	Modèle ^[3]	LI-0554200130NA	
	Puissance de sortie (kW ; W)	0,0533 ; 53,3	
	Entrée	100-240 V~ 50-60 Hz	
	Tension de sortie maximale (VCC)	42,0	
Pneu	Puissance de sortie nominale (VCC ; A)	41,0 ; 1,3	
	Pneus avant et arrière	Pneus 10 pouces	
Bluetooth	Bande de fréquences (s)	2,4000 à 2,4835 GHz	
	Puissance d'émission maximale (dBm)	8	

[1] Hauteur du véhicule : depuis le sol jusqu'en haut de la trottinette.

[2] Plage générale : mesurée à 25 °C lorsqu'il n'y a pas de vent, la trottinette entièrement chargée et roulant à une vitesse régulière de 15 km/h sur une surface plane avec une charge de 75 kg.

[3] Ne rechargez la batterie qu'avec le chargeur fourni dans l'emballage. Consultez les paramètres du chargeur de batterie dans la section Caractéristiques.

Chargeur de batterie

ATTENTION

1. Le chargeur est conçu pour être utilisé à l'intérieur uniquement. Ne l'exposez pas à la pluie ou à la neige.
2. Ne pas utiliser pour des piles non rechargeables, car elles peuvent surchauffer et se casser.
3. Une mauvaise utilisation d'autres types de piles peut les faire éclater et provoquer des blessures et des dommages.
4. Ne pas incinérer, démonter ou court-circuiter les piles.
5. Si les performances des piles diminuent considérablement, il est temps de les remplacer.
6. Ranger le chargeur dans un endroit frais et sec lorsqu'il n'est pas utilisé.
7. Déconnecter l'alimentation avant d'effectuer ou de rompre les connexions avec la batterie.
8. Gaz explosifs. Éviter les flammes et les étincelles. Assurer une ventilation adéquate pendant la charge.
9. Pendant la charge, la batterie doit être placée dans un endroit bien ventilé.
10. Tenir les appareils électriques hors de portée des enfants ou des personnes infirmes. Ne les laissez pas utiliser les appareils sans surveillance.
11. Cet appareil n'est pas destiné à être utilisé par des personnes (y compris des enfants) dont les capacités physiques, sensorielles ou mentales sont réduites, ou qui manquent d'expérience et de connaissances, à moins qu'elles n'aient reçu une surveillance ou des instructions concernant l'utilisation de l'appareil de la part d'une personne responsable de leur sécurité.
12. Cet appareil peut être utilisé par des enfants âgés de 8 ans et plus et des personnes aux capacités physiques, sensorielles ou mentales réduites, ou manquant d'expérience et de connaissances, s'ils ont bénéficié d'une surveillance ou d'instructions concernant l'utilisation de l'appareil en toute sécurité et s'ils comprennent les risques encourus. Les enfants ne doivent pas jouer avec l'appareil. Le nettoyage et l'entretien ne doivent pas être effectués par des enfants sans surveillance.
13. Le câble flexible externe ou cordon de ce transformateur ne peut être remplacé ; si le cordon est endommagé, le transformateur doit être mis au rebut.
14. Si le cordon d'alimentation est endommagé, il doit être remplacé par un cordon ou un ensemble spécial disponible auprès du fabricant ou de son agent de service.

Instructions pour la charge

1. Connectez le chargeur directement à une source d'alimentation. Ne jamais utiliser de rallonge.
2. Le chargeur ne peut charger que des batteries au lithium-ion LI-0554200130NA.
3. Éviter de charger à l'envers.
4. Les chargeurs ne sont pas destinés à charger des batteries automobiles.

Bloc de batterie

ATTENTION

1. Ne pas démonter, ouvrir ou décharger les piles ou batteries secondaires.
2. Tenir les piles hors de portée des enfants. L'utilisation des piles par les enfants doit être surveillée. Gardez en particulier les petites piles hors de portée des jeunes enfants.
3. Consulter immédiatement un médecin en cas d'ingestion d'une pile ou d'une batterie.
4. Ne pas exposer les piles ou les batteries à la chaleur ou au feu. Éviter le stockage en plein soleil.
5. Ne pas court-circuiter une pile ou une batterie. Ne pas ranger les piles ou les batteries au hasard dans une boîte ou un tiroir où elles risquent de se court-circuiter ou d'être court-circuitées par d'autres objets métalliques.
6. Ne pas retirer une pile ou une batterie de son emballage d'origine tant qu'elle n'est pas utilisée.
7. Ne pas soumettre les piles ou les batteries à des chocs mécaniques.
8. En cas de fuite d'une pile, ne pas laisser le liquide entrer en contact avec la peau ou les yeux. En cas de contact, laver la zone affectée avec de grandes quantités d'eau et consulter un médecin.
9. N'utilisez pas de chargeur autre que celui spécifiquement fourni pour l'équipement.
10. Respectez les marques plus (+) et moins (-) sur la cellule, la batterie et l'équipement et assurez-vous d'une utilisation correcte.
11. N'utilisez pas de piles ou de batteries qui ne sont pas conçues pour être utilisées avec l'équipement.
12. Ne pas mélanger des piles de fabrication, de capacité, de taille ou de type différents dans un même appareil.
13. Toujours acheter la batterie recommandée par le fabricant de l'appareil pour l'équipement.
14. Garder les piles et les batteries propres et sèches.
15. Essuyez les bornes de la cellule ou de la batterie avec un chiffon propre et sec si elles sont sales.
16. Les piles et batteries secondaires doivent être chargées avant d'être utilisées. Utilisez toujours le chargeur approprié et référez-vous aux instructions du fabricant ou au manuel de l'équipement pour les instructions de charge appropriées.
17. Ne pas laisser une batterie en charge prolongée lorsqu'elle n'est pas utilisée.
18. Après de longues périodes de stockage, il peut être nécessaire de charger et de décharger les cellules ou les batteries plusieurs fois pour obtenir des performances maximales.
19. Conserver la documentation originale du produit pour s'y référer ultérieurement.
20. Utiliser la cellule ou la batterie uniquement dans l'application pour laquelle elle a été conçue.
21. Dans la mesure du possible, retirez la batterie de l'équipement lorsqu'il n'est pas utilisé.
22. Mettez-la au rebut de manière appropriée.

8. Certifications

Directive relative à la limitation de l'utilisation de certaines substances dangereuses (RoHS)

Ce produit de Brightway Innovation Intelligent Technology (Suzhou) Co., Ltd. avec les pièces incluses (câbles, cordons, et autres) répond à la restriction d'utilisation de certaines substances dangereuses dans l'Annexe II 2011/65/UE et sa Directive d'amendement (UE) 2015/863 sur les équipements électriques et électroniques.

Déclaration de conformité pour l'Union européenne



Cet équipement répond aux exigences relatives à la limitation de l'exposition du public aux champs électromagnétiques dans le cadre de la protection de la santé. Par la présente, Brightway Innovation Intelligent Technology (Suzhou) Co., Ltd. déclare que cet équipement radio de type : [S40-E] et [S40-D] est conforme aux Directives 2014/53/UE et 2006/42/EC. L'intégralité de la déclaration de conformité pour l'UE est disponible à l'adresse suivante : www.naveetech.com

Déclaration UE de conformité

Informations sur recyclage des batteries pour l'Union européenne



Les batteries et l'emballage pour les batteries sont étiquetés conformément à la directive européenne 2006/66/CE et à l'amendement 2013/56/UE relatifs aux batteries et accumulateurs, ainsi qu'aux batteries et aux accumulateurs usagés. La directive détermine le cadre pour le retour et le recyclage des batteries et accumulateurs usagés, applicable pour toute l'Union européenne. Cette étiquette est appliquée sur différentes batteries pour indiquer qu'elles ne doivent pas être jetées, mais qu'elles doivent être recyclées au terme de sa durée de vie utile selon cette directive.

Conformément à la directive européenne 2006/66/CE et à l'amendement 2013/56/UE, les batteries et les accumulateurs sont étiquetés pour indiquer qu'ils doivent être collectés séparément et recyclés au terme de leur durée de vie utile. L'étiquette de la batterie peut également comprendre un symbole chimique pour le métal concerné dans la fabrication de la batterie (Pb pour le plomb, Hg pour le mercure et Cd pour le cadmium). Les utilisateurs de batteries et d'accumulateurs ne doivent pas les jeter comme des déchets ménagers non triés, mais doivent utiliser la structure disponible pour le renvoi, le recyclage, et le traitement des batteries et des accumulateurs. La participation du client est indispensable pour réduire au minimum les effets des batteries et des accumulateurs sur l'environnement et la santé humaine en raison de la présence éventuelle de produits dangereux.

Avant de déposer les équipements électriques et électroniques (EEE) dans les installations de collecte des déchets, l'utilisateur final des équipements comprenant des batteries ou des accumulateurs doit retirer ces derniers pour une collecte séparée.

Directive relative aux déchets d'équipements électriques et électroniques (DEEE)



Tous les produits portant ce symbole deviennent des déchets d'équipements électriques et électroniques (DEEE dans la Directive européenne 2012/19/UE) qui ne doivent pas être mélangés aux déchets ménagers non triés. Vous devez contribuer à la protection de l'environnement et de la santé humaine en apportant l'équipement usagé à un point de collecte dédié au recyclage des équipements électriques et électroniques, agréé par le gouvernement ou les autorités locales. Le recyclage et la destruction appropriés permettront d'éviter tout impact potentiellement négatif sur l'environnement et la santé humaine. Contactez l'installateur ou les autorités locales pour obtenir plus d'informations concernant l'emplacement ainsi que les conditions d'utilisation de ce type de point de collecte.

WICHTIG! Bitte lesen Sie das Betriebsanleitung sorgfältig durch, bevor Sie das Produkt benutzen, und bewahren Sie es zum späteren Nachschlagen auf.

Ein ausführliches elektronisches Betriebsanleitung finden Sie unter www.naveetech.com

- **D**ieses Gerät ist nicht für Personen (einschließlich Kinder) mit eingeschränkten physischen, sensorischen oder geistigen Fähigkeiten oder mangelnder Erfahrung und Kenntnis bestimmt, es sei denn, sie werden von einer für ihre Sicherheit zuständige Person beaufsichtigt oder erhielten von ihr Anweisungen zum Gebrauch des Geräts. **K**inder sollten beaufsichtigt werden, damit sie nicht mit dem Gerät spielen.
- **D**ieses Gerät ist für Personen über 8 Jahren und auch Personen mit eingeschränkten körperlichen, sensorischen oder geistigen Fähigkeiten oder mangelnder Erfahrung und Kenntnis bestimmt, wenn sie von einer für ihre Sicherheit zuständigen Person beaufsichtigt oder in die sichere Verwendung des Geräts eingewiesen wurden und die damit verbundenen Gefahren verstehen. Kinder dürfen nicht mit dem Gerät spielen.
- **R**einigungs- und Wartungsarbeiten dürfen von Kindern nur unter Aufsicht durchgeführt werden.
- **D**as Gerät darf nur mit dem mitgelieferten Netzgerät verwendet werden.
- **B**itte tragen Sie vor dem Fahren immer Schutzausrüstung wie einen Helm, Hand- und Handgelenkschützer, Knie- und Ellbogenschoner.
- **U**nsachgemäßes Fahren kann zu Stürzen oder schweren Unfällen führen.
- **D**er Scooter darf nur von einer Person und unter Tragen von geeigneten Schuhen gefahren werden. **D**ieses Produkt ist nur für den persönlichen Gebrauch und nicht für Akrobatik oder Stunts bestimmt.
- **D**as Produkt wird für Fahrer über 16 Jahren und unter 50 Jahren empfohlen. Nicht geeignet für das Fahren mit diesem Produkt sind unter anderem: (1) Personen, die unter Alkohol- oder Drogeneinfluss stehen; (2) Personen, die aus gesundheitlichen oder körperlichen Gründen keine anstrengenden körperlichen Aktivitäten ausüben können; (3) Personen, die ihr Gleichgewicht nicht halten können, z.B. wegen eingeschränkter motorischer Fähigkeiten; (4) Personen, deren Größe die Gewichtsgrenze überschreitet; (5) Schwangere Frauen; (6) Personen, die unter Seh- und/oder Hörbehinderungen leiden.
- **H**alten Sie beim Fahren mit diesem Produkt die örtlichen Rechtsvorschriften ein und fahren Sie nur in erlaubten Bereichen.
- Wenn Sie in Ländern und Regionen fahren, in denen es keine einschlägigen nationalen Normen und Vorschriften für Elektro-Scooter gibt, halten Sie sich bitte unbedingt an die Sicherheitsanforderungen für Fahrer in dieser Betriebsanleitung. Brightway innovation Intelligent Technology (Suzhou) Co., Ltd. übernimmt keine direkte Verantwortung und keine gesamtschuldnerische Haftung für alle Sach- und Personenschäden, Unfälle, Rechtsstreitigkeiten und alle anderen nachteiligen Ereignisse, die zu Interessenkonflikten führen, die durch Verhaltensweisen verursacht werden, die gegen die Benutzeranleitung verstoßen.
- Fahren Sie nicht auf Fahrspuren oder in Wohngebieten, in denen sowohl Fahrzeuge als auch Fußgänger zugelassen sind. Wenn Sie eine Stelle passieren, die für Fußgänger bestimmt ist, die das Recht auf Vorfahrt haben, wie z.B. einen Zebrastrifen, steigen Sie bitte ab und gehen Sie mit dem Scooter.
- Wählen Sie für Ihre erste Fahrt keine Orte, an denen Kinder, Fußgänger, Haustiere, Fahrzeuge, Fahrräder oder

andere Hindernisse und potenzielle Gefahren auftreten können.

- Notwendige Vorbereitungen für die Nutzung dieses Produkts, z. B. die Überprüfung der Lenkung auf korrekte Einstellung, die Überprüfung aller angeschlossenen Komponenten (z. B. des Faltsystems) auf korrekten Sitz und Unversehrtheit sowie die Überprüfung der Bremsen und Räder auf einwandfreien Zustand.
- Führen Sie vor jeder Fahrt eine grundlegende Inspektion des Elektro-Scooters durch. Bei abnormalen Zuständen wie lockeren Teilen, niedrigem Akkustand, platten Reifen oder übermäßigem Reifenverschleiß, seltsamen Geräuschen, Fehlfunktionen usw. beenden Sie sofort die Fahrt und holen Sie professionelle Hilfe.
- Nehmen Sie sich die Zeit, die Grundlagen der Praxis zu erlernen, um schwere Unfälle zu vermeiden, die in den ersten Monaten auftreten können. Informationen über die Praxis und ihre sichere Anwendung (verfügbar auf der Website www.naveetech.com)
- Um sicher zu fahren, müssen Sie in der Lage sein, den Bereich vor Ihnen deutlich zu sehen, und Sie müssen für andere gut sichtbar sein.
- Fahren Sie nicht bei schlechtem Wetter, schlechter Sicht oder nach starker körperlicher Anstrengung.
- Wenn Sie bei Dunkelheit fahren, schalten Sie das Scheinwerferlicht ein und verlangsamen Sie die Geschwindigkeit.
- Stellen Sie sicher, dass der Ständer auf einer ebenen Fläche abgestellt ist und der Kick-Scooter von alleine stabil steht, bevor Sie ihn verlassen.
- Dieser Elektro-Scooter ist ein Freizeitgerät. Wenn Sie damit jedoch einen öffentlichen Bereich betreten, ist er ein Verkehrsmittel mit den möglichen Sicherheitsrisiken für alle Verkehrsmittel. Das Fahren unter strikter Einhaltung der Anweisungen in diesem Betriebsanleitung schützt Sie und andere in höchstem Maße.
- Der Benutzer sollte die Nutzungseinschränkungen gemäß den örtlichen Regelungen überprüfen. Fahren Sie den Scooter nur auf den Straßen oder in den Bereichen, die durch die örtlichen Rechtsvorschriften erlaubt sind, und parken Sie ihn in den erlaubten Bereichen. Wenn die örtlichen Regelungen andere Vorgaben haben, haben sie Vorrang. Bitte respektieren und befolgen Sie die Sicherheitsvorschriften für Straßenverkehr.
- Respektieren Sie das Recht der Fußgänger und verunsichern Sie sie, insbesondere Kinder, während der Fahrt nicht. Wenn Sie hinter Fußgängern fahren, klingeln Sie, um sie zu warnen, und fahren Sie langsamer, um sie von links zu überholen. Halten Sie sich beim Überqueren rechts mit geringer Geschwindigkeit (gilt für Länder, in denen Fahrzeuge auf rechter Seite fahren). Wenn Sie an Fußgängern vorbeifahren, fahren Sie langsam oder steigen Sie ab.
- Auf jeden Fall fahrend Sie vorausschauend unter Beachtung der jeweiligen Verkehrsregeln für Straßen und Gehwege. Machen Sie sich von Fußgängern oder Radfahrern bemerkbar, wenn Sie ihnen nähern. Überqueren Sie geschützte Passagen zu Fuß. Meiden Sie Bereiche mit hohem Verkehrsaufkommen oder überfüllte Bereiche.
- Das Fahren mit hoher oder unangemessener Geschwindigkeit (bei schlechter Witterung, schlechtem Untergrund oder ähnlichem) kann zum Verlust der Stabilität oder der Kontrolle führen. Um jegliches Risiko zu verringern, befolgen Sie alle Anweisungen in dieser Anleitung. Seien Sie bei der Montage und Demontage des Produkts vorsichtig, da es umfallen und Verletzungen verursachen kann.
- Im Stadtverkehr gibt es viele Hindernisse wie Bordsteinkanten oder Stufen zu überqueren. Vermeiden Sie möglichst Hindernissprünge. Es ist wichtig, dass Sie vor dem Überqueren dieser Hindernisse Ihre Fahrlinie und Geschwindigkeit an die eines Fußgängers anpassen und vorausschauend fahren. Es wird auch empfohlen, vom Scooter abzusteigen, wenn die Hindernisse wegen ihrer Form, Höhe oder Rutschigkeit gefährlich sind.
- Verleihen Sie Ihren Scooter nicht an Personen, die mit der Bedienung nicht vertraut sind. Bevor Sie den Elektro-Scooter verleihen, seien Sie bitte sicher, dass der Fahrer dieses Betriebsanleitung gelesen, das Anleitungsvideo gesehen und die grundlegende Bedienung verstanden hat. Weisen Sie die Fahrer darauf hin, dass sie die richtige Schutzkleidung tragen, um ihre Sicherheit zu gewährleisten.

- Erkundigen Sie sich bei Ihrem Verkäufer nach geeigneten Schulungseinrichtungen.
- Achten Sie in jedem Fall auf sich und andere.
- Jede Last am Lenker beeinträchtigt die Fahrzeugstabilität.
- Berühren Sie das Bremssystem nicht, da es wegen scharfer Kanten zu Verletzungen führen kann. Die Bremse kann bei Gebrauch heiß werden. Fassen Sie sie nach dem Gebrauch nicht an.
- Der A-gewichtete Emissionsschalldruckpegel beträgt unter 70dB(A).
- Für ein besseres Fahrgefühl wird empfohlen, das Produkt regelmäßig zu warten.
- Beseitigen Sie alle scharfen Kanten, die durch den Gebrauch entstehen.
- Zubehör und zusätzliche Gegenstände, die nicht vom Hersteller zugelassen sind, dürfen nicht verwendet werden.
- Die regelmäßige Wartung des Fahrzeugs ist ein Faktor der Sicherheit.
- Die selbstspannenden Muttern sowie die anderen selbstspannenden Verschlüsse können ihre Wirksamkeit verlieren und müssen eventuell nachgezogen werden.
- Überprüfen Sie regelmäßig den festen Sitz der verschiedenen Schraubverbindungen, insbesondere der Radachsen, des Klappsystems, der Lenkung und der Bremswelle.
- Nehmen Sie keine Veränderungen oder Umbauten am Fahrzeug vor, einschließlich des Lenkrohrs und der Hülse, des Vorbaus, des Klappmechanismus und der Hinterradbremse.
- Nehmen Sie keine Änderungen vor, die nicht in der Anleitung vermerkt sind.
- Achten Sie darauf, dass der Scooter beim Transport ausgeschaltet ist und möglichst in der Originalverpackung liegt.
- Um Verletzungen wie Stromschlag und Brand durch unsachgemäßen Gebrauch zu vermeiden, lesen Sie bitte die Anleitung vor dem Gebrauch sorgfältig durch und bewahren Sie sie zum späteren Nachschlagen auf.
- Bitte verwenden Sie dieses Produkt gemäß den Anweisungen im Benutzerhandbuch. Der Benutzer ist für alle Verluste oder Schäden durch unsachgemäßen Gebrauch dieses Produkts verantwortlich.
- Schalten Sie das Fahrzeug während des Ladevorgangs aus oder versetzen Sie es in einen nicht betriebsbereiten Modus.
- Laden Sie nicht, wenn der Ladeanschluss oder das Ladekabel nass ist. Lesen Sie diese Anleitung vor dem Aufladen sorgfältig durch.
- Laden Sie den Scooter nicht bei einer Umgebungstemperatur über 40°C oder unter 0°C auf.
- Bitte halten Sie einen Sicherheitsabstand ein, wenn der Tretroller auf einer ebenen Straße oder ohne Rampe fährt. Bei nassem Wetter verlängert sich der Bremsweg.
- Die Stoßdämpfung dieses Produkts ist nicht einstellbar (sofern zutreffend).
- Das Gerät ist nicht für den Gebrauch in Höhenlagen über 2000 m über dem Meeresspiegel vorgesehen.
- Das Gerät muss während der Wartung und beim Austausch von Teilen von der Stromquelle getrennt werden.
- Das externe flexible Kabel dieses Transformators (Ladegeräts) kann nicht ausgetauscht werden. Wenn das Kabel beschädigt ist, muss der Transformator (das Ladegerät) verschrottet werden.
- Wenn das externe flexible Kabel oder die Leitung dieses Transformators beschädigt ist, sollte es vom Hersteller, seinem Kundendienst oder einer ähnlich qualifizierten Person ersetzt werden, um Gefahren zu vermeiden.
- Wenn das Netzkabel beschädigt ist, muss es durch den Hersteller, seinen Kundendienst oder ähnlich qualifizierte

Personen ersetzt werden, um eine Gefährdung zu vermeiden.

- Dieses Produkt enthält Batterien, die nur vom Fachpersonal oder Kundendienst ausgetauscht werden können.
- Dieses Gerät enthält Akkus, die nur von Fachleuten ausgetauscht werden dürfen.
- **WARNUNG! Verwenden Sie zum Aufladen des Akkus nur das mitgelieferte abnehmbare Netzteil. Verwenden Sie kein Ladegerät eines anderen Produkts. Halten Sie beim Aufladen einen Sicherheitsabstand zu den umliegenden Brennstoffen ein, das Fahrzeug muss in einem gut belüfteten Bereich aufgestellt werden.**
- **WARNUNG! Verwenden Sie keine Akkus oder Akkuladegeräte von Drittanbietern. Verwenden Sie nur das Netzteil LI-0554200130NA.**
- **WARNUNG! Halten Sie die Kunststoffabdeckung von Kindern fern, um Erstickungsgefahr zu vermeiden.**
- **WARNUNG! Verwenden Sie das Produkt niemals in der Nähe einer Wasserquelle.**
- **WARNUNG! Sie dürfen das Produkt nicht wenden, wenn es beschädigt ist.**
- **WARNUNG! Wie jedes mechanische Bauteil ist auch ein Fahrgerät hohen Belastungen und starkem Verschleiß unterworfen. Die verschiedenen Materialien und Komponenten können unterschiedlich auf Verschleiß oder Ermüdung reagieren. Wenn die zu erwartende Lebensdauer eines Bauteils überschritten ist, kann es plötzlich brechen, wodurch die Verletzungsgefahr für den Benutzer besteht. Risse, Kratzer und Verfärbungen in den stark beanspruchten Bereichen deuten darauf hin, dass das Bauteil seine Lebensdauer überschritten hat, und Sie sollten sich an eine autorisierte oder spezialisierte Werkstatt wenden.**

Hinweise zum Umweltschutz


Der Scooter enthält ein wiederaufladbares Lithium-Ionen-Akkupack, dessen unsachgemäße Entsorgung die Umwelt belastet. Folgen Sie den nachstehenden Schritten, um die Akkus zu entnehmen, bevor Sie den Scooter entsorgen, und entsorgen Sie die Akkus umweltgerecht:

1. Bevor Sie die Batterie entfernen, ist es ratsam, die Batterie vollständig zu entleeren und sicherzustellen, dass der Roller vom Stromnetz getrennt ist. Als nächstes schrauben Sie die untere Abdeckung des Rollers, um es zu entfernen, und entfernen Sie den Batteriepack Halter.
2. Ziehen Sie den Akkustecker ab und nehmen Sie die Akkus heraus. Achten Sie darauf, dass das Akkugehäuse nicht beschädigt wird, um Verletzungsgefahr zu vermeiden. Die Batterie nicht mehr verwenden, wenn sie beschädigt ist, seltsamen Geruch abgibt, Rauch ausstößt oder überhitzt wurde. Halten Sie eine auslaufende Batterie von anderen Gegenständen fern.
3. Entsorgen Sie die entnommenen Akkus in einer fachgerechten Recyclinganlage.

Um eine qualifizierte Servicestelle zu finden, kontaktieren Sie uns bitte über service@navee.tech/www.naveetech.com

2. Anweisungen zum Ein-/Ausschalten und für die Beleuchtung für die Beleuchtung

Ein-/Ausschalten

Drücken Sie die Taste , um den Tretroller einzuschalten, und halten Sie die Taste  2 bis 3 Sekunden lang gedrückt, um den Roller auszuschalten. Wenn der Tretroller eingeschaltet ist, drücken Sie zweimal, um den Fahrmodus zu ändern.

Scheinwerfer

Wenn der Tretroller eingeschaltet ist, drücken Sie die Einschalttaste, um den Scheinwerfer und das Rücklicht ein- und auszuschalten. Andernfalls können Sie die automatische Lichtsensorfunktion über die App aktivieren. Während der Fahrt schalten sich Scheinwerfer und Rücklicht je nach Helligkeit der Umgebungsbeleuchtung automatisch ein und aus.

Hinweis: Wenn Sie nach dem Aktivieren der automatischen Lichtsensorfunktion den Scheinwerfer manuell ein- oder ausschalten, wird diese Funktion vorübergehend deaktiviert. Sie müssen den elektrischen Tretroller neu starten, um die Funktion zu aktivieren.

Blinker

Wenn der Tretroller eingeschaltet ist, drücken Sie den linken oder rechten Blinker, dann blinken den entsprechenden Blinker und die Anzeige auf dem Armaturenbrett. Gleichzeitig ertönt der Signalton in der gleichen Frequenz. Drücken Sie die Taste erneut, um den Blinker auszuschalten.

Bremslicht

Halten Sie beim Fahren den Bremshebel gedrückt, und das Bremslicht (Rücklicht) leuchtet auf.

3. Pflege und Wartung

Reinigen

Bevor Sie den Scooter reinigen, müssen Sie den Strom ausschalten, das Ladekabel ausstecken und den Ladedeckel fest verschließen.

Wischen Sie das Hauptchassis mit einem weichen, feuchten Tuch ab, schwer zu entfernenden Schmutz können Sie mit einer Zahnbürste abbürsten Wischen Sie anschließend alle Bereiche mit einem trockenen Tuch ab.

WARNUNG!

- Waschen Sie den Scooter nicht mit einem Hochdruckreiniger.
- Reinigen Sie den Scooter nicht mit ätzenden Reinigungsmitteln, die die äußere und innere Struktur des Scooters beschädigen.

Akku

Laden Sie immer auf, bevor der Akku ganz leer wird, um die Lebensdauer des Akkus zu verlängern.

Überschreiten Sie beim Fahren, Lagern oder Laden nicht die angegebene Temperaturgrenze (siehe Technische Daten). Die Nichtbeachtung der Benutzungs-, Lager- oder Ladeanweisungen kann zur Beschädigung des Akkus, zum Ausfall der Ladung und zum Erlöschen der Garantie führen.

Der voll aufgeladene Scooter hat eine ungefähre Standby-Zeit von 120-180 Tagen. Wenn er längere Zeit nicht benutzt wird, sollte er alle 30 Tage aufgeladen werden. Bitte achten Sie auf die Standby-Zeit, um irreversible Schäden am Akku durch Nichtaufladen zu vermeiden.

WARNUNG!

- Verwenden Sie keine Akkus anderer Modelle oder Marken, da sie ein Sicherheitsrisiko darstellen kann.
- Verwenden Sie nur das originale Akkuladegerät, um mögliche Schäden oder Brände zu vermeiden.
- Wenn der Akku beschädigt oder mit Wasser getränkt ist, darf er nicht geladen oder weiter verwendet werden.
- Nehmen Sie den Akku nicht heraus. Das Ausbauen des Akkus ist kompliziert und eine unsachgemäße Handhabung kann den Betrieb des Scooters beeinträchtigen.

Lagerung

Wenn der Scooter über einen längeren Zeitraum nicht benutzt wird, laden Sie ihn vollständig auf, schalten Sie ihn dann aus und lagern Sie ihn an einem kühlen, trockenen Ort. Laden Sie den Scooter mindestens alle 2 Monate auf, um Akkuschäden zu vermeiden. Stellen Sie sicher, dass der Scooter beim Transport ausgeschaltet ist und möglichst in seiner Originalverpackung liegt.

WARNUNG!

- Bitte lassen Sie den Scooter nicht für längere Zeit in der heißen Sonne oder an einem sehr feuchten Ort stehen.
- Bitte stellen Sie den Scooter nicht in der Nähe von brennbaren Stoffen ab.
- Dieses Produkt enthält eine eingebaute Lithiumbatterie und darf nur dann transportiert werden, wenn es die örtlichen Gesetze und Vorschriften erlauben.

DE **Scooter-Wartungsplan (empfohlen):**

Regelmäßige Wartung des Rollers trägt dazu bei, ihn in einem sauberen und guten Zustand zu halten, Sicherheitsrisiken zu vermeiden, Pannen zu minimieren, den Verschleiß des Rollers zu verlangsamen und die Nutzungsdauer des Rollers zu verlängern.

Punkt	Serviceobjekt	Aktionen	Jeden Monat	Alle 3 Monate	Alle 500km / 6 Monate	Alle 1000km / 1 Jahr	Alle 10.000km / 3 Jahre
Reifen	Reifendruck	Den Reifen aufpumpen, bis der Druck 45-50 psi erreicht.	√		√	√	√
	Abnutzung des Reifenprofils	Den Reifen auf Risse, Verformung, Abnutzung usw. prüfen.			√	√	√
Schrauben	Schrauben am Lenker	Die Schraube, die den Lenker mit dem Vorbau verbindet, festziehen (mit dem empfohlenen Anzugsmoment von 4,8 ± 0,2 N·m).		√	√	√	√
		Die Gaspedalschraube anziehen (mit dem empfohlenen Drehmoment von 1,6 ± 0,1 N·m).					
		Die Schraube des Bremshebels festziehen (mit dem empfohlenen Drehmoment von 5 ± 0,2 N·m).				√	√

DE

Punkt	Serviceobjekt	Aktionen	Jeden Monat	Alle 3 Monate	Alle 500km / 6 Monate	Alle 1000km / 1 Jahr	Alle 10.000km / 3 Jahre
Funktionen	Einstellung der Bremse	Bevor Sie Einstellungen vornehmen, stellen Sie sicher, dass der Roller ausgeschaltet ist und nicht geladen wird. Werkzeug: 14 mm-Imbusschlüssel (muss vom Benutzer bereitgestellt werden). Wenn die Bremse zu fest angezogen ist, drehen Sie mit dem Werkzeug die Mutter am Gewindestift gegen den Uhrzeigersinn, um den freiliegenden unteren Teil des Bremskabels leicht zu verkürzen. Wenn die Bremse zu locker ist, drehen Sie mit dem Werkzeug die Mutter am Gewindestift im Uhrzeigersinn, um den freiliegenden unteren Teil des Bremskabels leicht zu verlängern.					
					√	√	√
	Aufladung	Den Roller bei einer geeigneten Temperatur aufladen. Die Anzeige am Batterieladegerät leuchtet rot, wenn der Roller geladen wird, und wird grün, wenn der Roller vollständig aufgeladen ist. Das Bedienfeld zeigt den Ladestatus während des Ladevorgangs zugleich an.			√	√	√
	Lenkung	Den Lenker um 60° nach links und rechts drehen, um sicherzustellen, dass der Lenkwinkel richtig ist und die Lenkung frei von Widerstand und Blockade ist.				√	√
Wichtige Komponenten	Batterieeinheit	Den Roller vollständig aufladen, bevor er für längere Zeit unbenutzt wird, und ihn alle 60 Tage zum Aufladen einschalten.					√

Wenn Räder, Bremsbeläge und andere empfindliche Teile abgenutzt oder beschädigt sind und ersetzt werden müssen, wenden Sie sich bitte rechtzeitig an den Kundendienst.

4. Spezifikationen

Produkt	Bezeichnung	
	NAVEE Elektroroller	
Abmessungen	Modell	S40-E S40-D
	Fahrzeug: L x B x H (mm) ^[1]	1195 x 610 x 1280
	Zusammengeklappt: L x B x H (mm)	1195 x 605 x 560
Nettogewicht	Nettogewicht des Fahrzeugs (kg)	22,2
Fahrer	Last (kg)	25-120
	Alter (Jahre)	16-50
	Körpergröße (cm)	120 - 200
Montierter Elektroroller	Höchstgeschwindigkeit (km/h)	25 20
	Allgemeine Reichweite (km) ^[2]	ca. 40
	Max. Steigwinkel (%)	ca. 18
	Geeignete Oberflächen	Beton- oder Asphaltstraßen mit Schwellen unter 1 cm bzw. Spalten unter 3 cm.
	Betriebstemperatur (°C)	-10 bis 40
	Lagertemperatur (°C)	-20 bis 45
	Schutzgrad	IPX5
	Ladedauer (h)	ca. 6
Akkupack	Modell	T2208-BA3A
	Nennspannung (V DC)	36
	Max. Eingangsspannung (VDC)	42
	Energieverbrauch (Wh)	275,4
	Intelligentes Akkuverwaltungssystem	Schutz vor Überhitzung, Kurzschluss, Überstrom, Überentladung und Überladung
	Normaler Temperaturbereich während des Ladens (°C)	0 bis 40
Radmotor	Nennleistung (Ah)	7,65
	Nennleistung (kW; W)	0,35; 350
Akkuladegerät	Modell ^[3]	LI-0554200130NA
	Ausgangsleistung (kW; W)	0,0533; 53,3
	Eingang	100-240 V~ 50-60 Hz
	Max. Ausgangsspannung (VDC)	42,0
	Nennausgangsspannung/-strom (VDC; A)	41,0; 1,3
Reifen	Vorder- und Hinterradreifen	10Zoll-Luftreifen
Bluetooth	Frequenzbereich(e)	2,4000-2,4835 GHz
	Max. Funkleistung (dBm)	8

[1] Fahrzeughöhe: vom Boden zum höchsten Punkt des Rollers.

[2] Allgemeine Reichweite: gemessen bei Windstille und 25 °C, voll geladenem Roller und einer gleichmäßigen Fahrgeschwindigkeit von 15 km/h auf ebener Oberfläche und mit einer Last von 75 kg.

[3] Zum Laden des Akkus verwenden Sie nur das in dieser Verpackung mitgelieferte Ladegerät. Die Parameter des Akkuladegeräts entnehmen Sie bitte den Spezifikationen.

5. Zertifikationen

RoHS-Richtlinie

Dieses Produkt von Brightway Innovation Intelligent Technology (Suzhou) Co., Ltd. erfüllt mit den mitgelieferten Teilen (Kabel, Schnüre usw.) die Beschränkung der Verwendung bestimmter gefährlicher Stoffe in Elektro- und Elektronikgeräten gemäß Anhang II der Richtlinie 2011/65/EU und deren Änderungsrichtlinie (EU) 2015/863.

EU-Konformitätserklärung



Dieses Gerät erfüllt die EU-Anforderungen zur Begrenzung der Exposition der Bevölkerung gegenüber elektromagnetischen Feldern.

Hiermit bestätigt Brightway Innovation Intelligent Technology (Suzhou) Co., Ltd. dass das Funkgerät des Typs [S40-E] und [S40-D] mit der Verordnung 2014/53/EU und 2006/42/EG in Einklang steht. Der vollständige Wortlaut der EU-Konformitätserklärung ist unter der folgenden Internetadresse abrufbar: www.naveetech.com

Entsorgung von elektrischen und elektronischen Geräten



Batterien und ihre Verpackungen sind gemäß der EU-Richtlinie 2006/66/EG sowie deren Änderung durch Richtlinie 2013/56/EU über Batterien und Akkumulatoren sowie Altbatterien und Alttakkumulatoren gekennzeichnet. Die Richtlinie bestimmt das in der gesamten EU gültige System für die Rückgabe und das Recycling von gebrauchten Batterien und Akkumulatoren. Dieses Kennzeichen findet sich auf verschiedenen Batterien und gibt an, dass die Batterie nicht entsorgt, sondern gemäß dieser Richtlinie wiederverwertet werden muss.

Batterien und Akkumulatoren sind gemäß EU-Richtlinie 2006/66/EG sowie deren Änderung durch Richtlinie 2013/56/ EU mit einer Kennzeichnung versehen, die angibt, dass sie nach Ablauf ihrer Nutzungsdauer getrennt zu sammeln und der Wiederverwertung zuzuführen sind. Das Kennzeichen auf der Batterie kann auch ein chemisches Zeichen für das in der Batterie enthaltene Metall (Pb für Blei, Hg für Quecksilber und Cd für Cadmium) aufweisen. Die Nutzer von Batterien und Akkumulatoren müssen diese gemäß dem verfügbaren Sammelsystem für Rückgabe, Recycling und Wiederaufbereitung von Batterien und Akkumulatoren getrennt entsorgen. Die Mitwirkung der Kunden spielt für die Eingrenzung der möglichen Auswirkungen von Batterien und Akkumulatoren auf Umwelt und Gesundheit durch die potenziell enthaltenen gefährlichen Substanzen eine wesentliche Rolle. Bevor Elektro- und Elektronikgeräte (EEE) in den Entsorgungskreislauf oder in Abfallsammelanlagen gelangen, muss der Endverbraucher von Geräten, die Batterien und/oder Akkumulatoren enthalten, diese Batterien und Akkumulatoren zur getrennten Sammlung entfernen.

Richtlinie über Elektro- und Elektronik-Altgeräte (WEEE)



Das Symbol auf dem Produkt oder der Verpackung bedeutet, dass das Produkt einer getrennten Erfassung für elektrische und elektronische Geräte zugeführt werden muss und nicht über den normalen Haushaltsabfall entsorgt werden darf. Bitte entnehmen Sie Batterien und Lampen, die nicht vom Gerät umschlossen sind, vor der Abgabe aus dem Gerät und entsorgen diese über die offiziellen Sammelstellen für Batterien und Lampen.

Beim Kauf eines neuen Elektrogerätes können Sie beim Verkäufer ein gleichartiges Altgerät unentgeltlich zurückgeben. Elektrogeräte mit einer Kantenlänge von maximal 25 cm können unentgeltlich bei Verkäufern von Elektro- und Elektronikgeräten mit einer Verkaufsfläche von mindestens 400 m² sowie größeren Supermärkten abgegeben werden, ohne dass ein Neugerät erworben werden muss. Größere Elektrogeräte können kostenlos bei kommunalen Wertstoffhöfen abgegeben werden.

Durch die korrekte Entsorgung tragen Sie dazu bei, negative Auswirkungen auf die Umwelt und die menschliche Gesundheit zu vermeiden, die durch unsachgemäße Erfassung und Behandlung von Elektroaltgeräten entstehen können.

Bitte löschen Sie sämtliche personenbezogenen Daten auf dem Gerät, bevor Sie es entsorgen.

Für weitere Informationen kontaktieren Sie bitte Ihre Kommunalverwaltung, Ihren örtlichen Abfallentsorger oder das Geschäft, in dem Sie das Produkt erworben haben.

Sicherheitswarnung



Wichtig!
Vor der Benutzung das Benutzerhandbuch lesen.



WARNUNG!
Sorgfältig durchlesen und zum Nachschlagen aufbewahren.



Warnung!
Heiße Oberfläche.



Nicht der Feuchtigkeit aussetzen



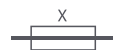
Scheinwerfer



SMPS mit kurzschlussfestem Sicherheitstrenntransformator (inhärent oder nicht inhärent)



SMPS (Schaltnetzteil)



Feinsicherungseinsatz mit Zeitverzögerung, wobei X das Symbol für die Zeit/Stromcharakteristik gemäß IEC 60127 ist



WARNUNG!
Nur zum Gebrauch in Innenräumen (das Ladegerät).



ACHTUNG
Gerät der Schutzklasse II



Warnung!
Scharfe Kanten.



Das Ladegerät ist für die Verwendung in Höhenlagen bis zu 5000 m bestimmt.



Blinker



Gleichstrom



Wechselstrom



Polarität des Ladegerätausgangs, Mitte positiv

Akkuladegerät

WARNUNG

1. Das Ladegerät ist nur für den Gebrauch in Innenräumen vorgesehen. Setzen Sie es nicht Regen oder Schnee aus.
2. Verwenden Sie es nicht für nicht wiederaufladbare Akkus, da diese überhitzen und kaputt gehen können.
3. Andere Akkutypen können bei unsachgemäßer Verwendung platzen und Verletzungen und Schäden verursachen.
4. Akkus dürfen nicht verbrannt, zerlegt oder kurzgeschlossen werden.
5. Wenn die Leistung des Akkus erheblich nachlässt, ist Zeit, die Akkus zu ersetzen.
6. Bewahren Sie das Ladegerät an einem kühlen und trockenen Ort auf, wenn Sie es nicht verwenden.
7. Trennen Sie die Stromversorgung, bevor Sie die Verbindungen zum Akku herstellen oder trennen.
8. Explosive Gase. Vermeiden Sie Flammen und Funken. Sorgen Sie während des Ladevorgangs für ausreichende Belüftung.
9. Während des Ladevorgangs muss der Akku an einem gut belüfteten Ort platziert werden.
10. Bewahren Sie Elektrogeräte außerhalb der Reichweite von Kindern oder gebrechlichen Personen auf. Lassen Sie sie die Geräte nicht ohne Aufsicht benutzen.
11. Dieses Gerät ist nicht für die Verwendung durch Personen (einschließlich Kinder) mit eingeschränkten körperlichen, sensorischen oder geistigen Fähigkeiten oder mangelnder Erfahrung und Kenntnis bestimmt. Solange sie von einer für ihre Sicherheit verantwortlichen Person beaufsichtigt werden oder Anweisungen zur Verwendung des Geräts erhalten.
12. Dieses Gerät kann von Kindern ab 8 Jahren und darüber sowie von Personen mit eingeschränkten körperlichen, sensorischen oder geistigen Fähigkeiten oder mangelnder Erfahrung und Kenntnis verwendet werden, wenn sie beaufsichtigt oder in die sichere Verwendung des Geräts eingewiesen werden und die damit verbundenen Gefahren verstehen. Kinder dürfen nicht mit dem Gerät spielen. Reinigung und Benutzerwartung dürfen nicht von Kindern ohne Aufsicht durchgeführt werden.
13. Das externe flexible Kabel oder Kabel dieses Transformators kann nicht ersetzt werden. Wenn das Kabel beschädigt ist, muss der Transformator verschrottet werden.
14. Wenn das Netzkabel beschädigt ist, muss es durch ein spezielles Kabel oder eine spezielle Baugruppe ersetzt werden, die beim Hersteller oder seinem Kundendienst erhältlich sind.

Anweisungen zum Aufladen

1. Schließen Sie das Ladegerät direkt an eine Stromquelle an. Verwenden Sie keine Verlängerungskabel.
2. Das Ladegerät kann nur Lithium-Ionen-Akkus aufladen LI-0554200130NA.
3. Vermeiden Sie eine umgekehrte Aufladung.
4. Die Ladegeräte sind nicht zum Laden von Auto-Akkus geeignet.

Akkupack

WARNUNG

1. Sekundärzellen oder Akkus nicht zerlegen, öffnen oder zerkleinern.
2. Bewahren Sie Akkus außerhalb der Reichweite von Kindern auf. Die Verwendung von Akkus durch Kinder sollte beaufsichtigt werden. Bewahren Sie insbesondere kleine Akkus außerhalb der Reichweite von Kleinkindern auf.
3. Suchen Sie sofort einen Arzt auf, wenn eine Knopfzelle oder Akku verschluckt wurde.
4. Setzen Sie die Zellen oder Batterien nicht der Hitze oder dem Feuer aus. Vermeiden Sie die Lagerung in direktem Sonnenlicht.
5. Schließen Sie eine Knopfzelle oder einen Akku nicht kurz. Lagern Sie Knopfzellen oder Akkus nicht willkürlich in einer Kiste oder Schublade, wo sie sich gegenseitig kurzschließen oder durch andere Metallgegenstände kurzgeschlossen werden könnten.
6. Nehmen Sie eine Knopfzelle oder einen Akku erst dann aus der Originalverpackung, wenn Sie sie verwenden möchten.
7. Setzen Sie Zellen oder Akkus keinen mechanischen Erschütterungen aus.
8. Falls eine Knopfzelle ausläuft, darf die Flüssigkeit nicht mit der Haut oder den Augen in Berührung kommen, sondern muss mit reichlich Wasser abgewaschen und ein Arzt aufgesucht werden.
9. Verwenden Sie keine anderen Ladegeräte als die, die speziell für das Gerät vorgesehen sind.
10. Beachten Sie die Plus- (+) und Minus-Markierungen (-) an der Zelle, der Batterie und dem Gerät und achten Sie darauf, dass sie ordnungsgemäß verwendet werden.
11. Verwenden Sie keine Knopfzellen oder Akkus, die nicht für die Verwendung mit dem Gerät vorgesehen sind.
12. Mischen Sie keine Knopfzellen unterschiedlicher Herstellung, Kapazität, Größe oder Typs in einem Gerät.
13. Kaufen Sie immer den vom Gerätehersteller für das Gerät empfohlenen Akku.
14. Halten Sie Knopfzellen und Akkus sauber und trocken.
15. Wischen Sie die Knopfzellen- oder Akkupole mit einem sauberen, trockenen Tuch ab, wenn sie verschmutzt sind.
16. Sekundärzellen und Akkus müssen vor der Verwendung aufgeladen werden. Verwenden Sie immer das richtige Ladegerät und lesen Sie die Anweisungen zum korrekten Laden in den Anweisungen des Herstellers oder im Betriebsanleitung nach.
17. Lassen Sie einen Akku nicht über einen längeren Zeitraum aufgeladen, wenn er nicht verwendet wird.
18. Nach längerer Lagerung kann es erforderlich sein, die Knopfzellen oder Akkus mehrmals zu laden und zu entladen, um die maximale Leistung zu erzielen.
19. Bewahren Sie die Original-Produktliteratur zum späteren Nachschlagen auf.
20. Benutzen Sie die Knopfzelle oder Akku nur für den vorgesehenen Verwendungszweck.
21. Wenn möglich, nehmen Sie den Akku aus dem Gerät, wenn es nicht verwendet wird.
22. Entsorgen Sie den Akku ordnungsgemäß.

1. Istruzioni di sicurezza

Istruzioni originali

IMPORTANTE! Leggere attentamente prima di utilizzare il prodotto e conservarlo per futuri riferimenti.

Per l'e-manual dettagliato, visitare www.naveetech.com

- **Q**uesto apparecchio non è destinato all'uso da parte di persone (compresi i bambini) con ridotte capacità fisiche, sensoriali o mentali o prive di esperienza e conoscenza, a meno che non siano sotto la supervisione o siano state istruite sull'uso dell'apparecchio da una persona responsabile della loro sicurezza.
- **I**bambini devono essere sorvegliati per assicurarsi che non giochino con l'apparecchio.
- **Q**uesto apparecchio è destinato ai guidatori di età superiore a 8 anni e persone con ridotte capacità fisiche, sensoriali o mentali o con mancanza di esperienza e conoscenza solo se sotto la supervisione o sono state istruite sull'uso dell'apparecchio in modo sicuro e hanno compreso i rischi coinvolti.
- **I**bambini non devono giocare con l'apparecchio. La pulizia e la manutenzione da parte dell'utente non devono essere effettuate da bambini senza supervisione da parte di un adulto.
- **L'**apparecchio deve essere utilizzato esclusivamente con l'alimentatore in dotazione con l'apparecchio.
- **P**rima di mettersi alla guida, indossare sempre il casco, protezioni per mani e polsi, ginocchiere, gomitiere e altri dispositivi di protezioni.
- **U**na guida impropria può causare cadute o gravi incidenti.
- **I**l monopattino deve essere utilizzato da una sola persona. **O**bligo di indossare sempre le scarpe. **N**on deviare l'uso del veicolo.
- **Q**uesto prodotto è destinato esclusivamente all'uso personale e non è destinato all'uso acrobatico o non conforme al codice stradale.
- **I**l prodotto è consigliato per i guidatori di età superiore ai 16 anni e di età inferiore ai 50 anni. **L**e persone che non sono idonee alla guida di questo prodotto includono: (1) persone sotto l'effetto di alcol o droghe, (2) persone incapaci di svolgere attività fisiche faticose a causa di condizioni di salute o fisiche, (3) persone che non sono in grado di mantenere l'equilibrio o che non riescono a mantenere l'equilibrio a causa di capacità motorie ridotte, (4) persone la cui taglia supera il limite di peso, (5) donne in gravidanza, (6) persone che soffrono di disabilità visive e/o uditive.
- **R**ispettare le leggi e le normative locali durante la guida di questo prodotto. **N**on guidare dove proibito dalle leggi locali.
- Quando si guida in paesi e regioni in cui non esistono norme e regolamenti nazionali pertinenti per i monopattini elettrici, assicurarsi di attenersi rigorosamente ai requisiti di sicurezza per i conducenti in questo manuale d'uso. Brightway innovation Intelligent Technology (Suzhou) Co., Ltd. non si assume alcuna responsabilità diretta e solidale per tutte le proprietà, perdite personali, incidenti, controversie legali e tutti gli altri eventi avversi che causano conflitti di interesse causati dall'uso di comportamenti in violazione delle istruzioni per l'uso.
- Non circolare nelle corsie di flusso del traffico o nelle aree residenziali in cui sono ammessi sia i veicoli che i pedoni. Quando si passa in un luogo designato per i pedoni che hanno diritto di precedenza, come le strisce pedonali, scendere a piedi con il monopattino.
- Non scegliere luoghi in cui bambini, pedoni, animali domestici, veicoli, biciclette o altri ostacoli potrebbero presentarsi durante la prima corsa.

- I preparativi richiesti per l'utilizzo di uesto prodotto comprendono: assicurarsi che il sistema di sterzaggio sia regolato correttamente, che tutti gli accessori connessi (come il meccanismo di piegamento) siano correttamente serrati e non danneggiati e che i freni e le ruote siano in buone condizioni.
- Eseguire un'ispezione di base del monopattino elettrico prima di ogni corsa. Se si verificano condizioni anomale come parti allentate, avvisi di batteria scarica, pneumatici sgonfi o usura eccessiva degli pneumatici, suoni strani, malfunzionamenti e altre condizioni anomale, interrompere immediatamente la guida e chiamare un supporto professionale.
- Prendersi il tempo per imparare le basi della pratica per evitare che accadano gravi incidenti nei primi mesi. Informazioni relative alla pratica e ad un utilizzo sicuro si possono trovare sul sito internet: www.naveetech.com
- Per guidare in sicurezza, si deve essere in grado di vedere chiaramente ciò che si ha di fronte e si deve essere chiaramente visibili agli altri.
- Non guidare in caso di maltempo, scarsa visibilità o dopo uno sforzo fisico intenso.
- Accendere i fari e rallentare quando si guida col buio.
- Assicurarsi che il cavalletto sia posizionato su una superficie piana e che il monopattino sia sufficientemente stabile da stare in piedi da solo prima di lasciarlo.
- Questo monopattino elettrico è un dispositivo per il tempo libero. Tuttavia, quando si entra in un'area pubblica, sarà considerato un mezzo di trasporto e soggetto a possibili rischi per la sicurezza di tutti i mezzi di trasporto. Guidare in stretta conformità con le istruzioni in questo manuale proteggerà te e gli altri nella massima misura.
- L'utente deve verificare i limiti di utilizzo in conformità con le normative locali. Guidare il monopattino su strade o aree consentite dalle normative e leggi locali e parcheggiarlo nelle aree consentite. Se i regolamenti e le leggi locali prevedono disposizioni diverse sulla velocità massima, prevarranno i regolamenti e le leggi locali. Rispettare e seguire le norme sulla sicurezza stradale e sui veicoli.
- Rispettare il diritto di passaggio dei pedoni. Cercare di non spaventarli durante la guida, specialmente i bambini. Quando si guida da dietro i pedoni, suonare il campanello per avvisarli e rallentare il monopattino per passare alla loro sinistra e mantenere la destra a bassa velocità mentre li si supera (applicabile ai paesi in cui i veicoli guidano sul lato destro). Quando si superano dei pedoni, mantenere la velocità più bassa o scendere dal veicolo.
- In ogni caso, anticipare la tua traiettoria e la tua velocità rispettando il codice della strada, il codice del marciapiede e i più vulnerabili. Avvisare della presenza quando ci si avvicina a un pedone o a un ciclista quando non è possibile essere visti o sentiti. Attraversare i passaggi protetti camminando. Evitare le zone ad alto traffico o le zone sovraffollate.
- La guida ad alta velocità o non adeguata alla situazione (cattive condizioni atmosferiche, cattive condizioni della superficie o simili) può comportare una potenziale perdita di stabilità o di controllo. Per ridurre qualsiasi rischio, è necessario seguire tutte le istruzioni in questo manuale. Prestare attenzione durante il montaggio e lo smontaggio del prodotto, il quale potrebbe cadere e causare lesioni.
- Il traffico in città presenta molti ostacoli da attraversare come marciapiedi o gradini. Si raccomanda di evitare salti ed altri ostacoli. È importante anticipare e adattare la traiettoria e la velocità a quelle di un pedone prima di attraversare questi ostacoli. Si raccomanda inoltre di uscire dal veicolo quando questi ostacoli diventano pericolosi a causa della loro forma, altezza o slittamento.
- Non prestare il monopattino a chi non ne conosca il funzionamento. Prima di prestare il monopattino elettrico ad altri, assicurarsi che il guidatore abbia letto questo manuale di istruzioni, guardato il video di istruzioni e compreso le operazioni di base. Ricordare ai guidatori di indossare correttamente le protezioni di sicurezza per garantire la loro sicurezza.
- Contattare il proprio venditore per organizzare un corso di formazione appropriato.
- In ogni caso, prendersi cura di se stessi e degli altri.
- Qualsiasi carico attaccato al manubrio influirà sulla stabilità del veicolo.

- Non toccare l'impianto frenante, potrebbe causare lesioni a causa degli spigoli vivi. Il freno potrebbe surriscaldarsi durante l'uso. Non toccare dopo l'uso.
- Il livello di pressione sonora di emissione ponderato-A è inferiore a 70 dB(A).
- Per una migliore esperienza di guida, si consiglia di effettuare una regolare manutenzione del prodotto.
- Eliminare gli spigoli vivi causati dall'uso.
- Gli accessori ed eventuali articoli aggiuntivi non approvati dal produttore non devono essere utilizzati.
- Una regolare manutenzione del veicolo rappresenta un fattore di sicurezza.
- I dadi autoserranti così come gli altri dispositivi di fissaggio autoserranti possono perdere la loro efficacia e potrebbero dover essere nuovamente serrati.
- Controllare regolarmente il serraggio dei vari elementi bullonati, in particolare i perni delle ruote, il sistema di piegatura, l'impianto sterzante e l'albero del freno.
- Non modificare o trasformare il veicolo, compresi tubo sterzo e guaina, asta, meccanismo di piegamento e freno posteriore.
- Non apportare alcuna modifica che non sia annotata nelle istruzioni.
- Assicurarsi che il monopattino sia spento durante il trasporto e possibilmente riposto nella sua confezione originale.
- Per evitare lesioni accidentali come scosse elettriche e incendi causati da un uso improprio, leggere attentamente le istruzioni prima dell'uso e conservarle correttamente per riferimenti futuri.
- Utilizzare questo prodotto secondo le istruzioni nel Manuale d'Uso. Gli utenti sono responsabili per qualsiasi perdita o danno derivante da un uso improprio di questo prodotto.
- Durante la ricarica, spegnere il veicolo o passare a una modalità non operativa.
- Non caricare se la porta di ricarica o il cavo di ricarica sono bagnati. Leggere attentamente questo manuale prima di ricaricare.
- Non ricaricare il monopattino a una temperatura ambiente superiore a 40°C o inferiore a 0°C.
- Mantenere una distanza di sicurezza quando il monopattino viene usato su una strada pianeggiante/senza pendenza. Lo spazio di frenata aumenterà in caso di pioggia.
- L'assorbimento degli urti di questo prodotto non è regolabile (se applicabile).
- L'apparecchiatura non è progettata per l'uso ad altitudini superiori a 2.000 m sul livello del mare.
- L'apparecchiatura deve essere scollegata dalla fonte di alimentazione durante la manutenzione e durante la sostituzione di parti.
- Il cavo flessibile esterno o il cavo di questo trasformatore (caricatore) non può essere sostituito; se il cavo è danneggiato, il trasformatore (caricatore) deve essere smaltito.
- Se il cavo flessibile esterno oppure il filo dell'alimentatore è danneggiato, deve essere sostituito dal produttore oppure dall'agente incaricato della manutenzione o da una persona altrettanto qualificata per evitare pericoli.
- Se il cavo di alimentazione è danneggiato, deve essere sostituito dal produttore, da un suo agente incaricato per la manutenzione o da persone altrettanto qualificate al fine di evitare pericoli.
- Questo prodotto contiene batterie che possono essere sostituite solo da tecnici qualificati o dal servizio postvendita.
- Questo apparecchio contiene batterie sostituibili esclusivamente da personale qualificato.

ATTENZIONE! per ricaricare la batteria, utilizzare unicamente

l'alimentatore staccabile fornito con l'apparecchio. Non utilizzare un caricabatterie di altri prodotti. Mantenere una distanza di sicurezza dai combustibili circostanti quando si ricarica; il veicolo deve essere collocato in una zona ben arieggiata.

- **ATTENZIONE! non utilizzare batterie o caricabatteria di terze parti. Utilizzare solo con l'unità di alimentazione LI-0554200130NA.**
- **ATTENZIONE! Tenere la copertura di plastica lontano dalla portata dei bambini per evitare il soffocamento.**
- **AVVERTENZA! Non utilizzare mai il prodotto vicino a una fonte d'acqua.**
- **AVVERTENZA! Smettere di utilizzare il prodotto se danneggiato.**
- **ATTENZIONE! Come con qualsiasi componente meccanica, un veicolo è soggetto a forti sollecitazioni e usura. I vari materiali e componenti possono reagire in modo diverso all'usura o alla fatica. Se viene superata la vita utile prevista per un componente, questo potrebbe rompersi improvvisamente, rischiando quindi di causare lesioni all'utente. Crepe, graffi e scolorimento nelle aree soggette a forti sollecitazioni indicano che il componente ha superato la sua vita utile, quindi contattare un riparatore autorizzato o specializzato.**

 parte componente separabile dell'alimentazione

Istruzioni ambientali

Il monopattino contiene una batteria ricaricabile agli ioni di litio e lo smaltimento improprio di queste batterie causerà danni all'ambiente. Seguire i seguenti passaggi per rimuovere le batterie prima di smaltire il monopattino e smaltire le batterie correttamente:

1. Prima di rimuovere la batteria, si consiglia di esaurire completamente la batteria e assicurarsi che lo scooter sia scollegato dall'alimentazione. Successivamente, svitare il coperchio inferiore dello scooter per rimuoverlo e

rimuovere la staffa di fissaggio del pacco batteria.

2. Scollegare il connettore della batteria, quindi rimuovere le batterie. Non danneggiare la custodia della batteria per evitare qualsiasi rischio di lesioni. Non utilizzare la batteria se è danneggiata, ha uno strano odore, emette fumo o si surriscalda. Tenere una batteria che perde lontano da altri oggetti.

3. Smaltire le batterie rimosse presso un centro di riciclaggio professionale.

Per trovare un negozio di assistenza qualificato, contattaci tramite service@navee.tech / www.naveetech.com



Scatola	Manuale	Borsa	Pellicola	Neto	Etichetta	Targhetta	Fibbia
PAP 20	PAP 22	LDPE 4	PET 1	PS 6	PET 1	PAP 21	PP 5
Carta	Carta	Plastica	Plastica	Plastica	Plastica	Carta	Plastica

RACCOLTA DIFFERENZIATA

Verifica le disposizioni del tuo Comune.
Separa le componenti e conferiscile in modo corretto.

2. Istruzioni di accensione/spegnimento e delle luci

Accensione/spegnimento

Premere il pulsante  per accendere il monopattino e tenere premuto il pulsante  per 2 o 3 secondi per spegnere il monopattino. Quando il monopattino è acceso, premere due volte per cambiare modalità di guida.

Luce

Quando il mezzo è attivo, premere il pulsante di alimentazione per accendere/spegnere la luce anteriore e la luce posteriore. In alternativa, è possibile abilitare la funzione di rilevamento automatico della luminosità tramite l'APP. Durante la guida, la luce anteriore e la luce posteriore si accenderanno/spegneranno automaticamente in base alla luminosità ambientale.

Nota: Dopo aver attivato la funzione di rilevamento automatico della luminosità, se si accende o spegne manualmente la luce, questa funzione verrà temporaneamente disattivata. Sarà necessario riavviare il mezzo elettrico affinché abbia effetto.

Indicatori di direzione

Quando il monopattino è acceso, premere il pulsante della luce dello sterzo sinistro o destro, quindi la luce dello sterzo corrispondente e l'indicatore sul pannello di controllo lampeggeranno. Nel frattempo, il cicalino risponderà alla stessa frequenza. Premere nuovamente il pulsante per spegnere la luce dello sterzo.

Luce del freno

Durante la guida, tenere premuta la leva del freno e la luce del freno (fanale posteriore) si accenderà.

3. Cura & Manutenzione

Pulizia

Prima di effettuare la pulizia del monopattino, è necessario spegnere l'alimentazione, scollegare i cavi di carica e chiudere saldamente il coperchio di carica.

Pulire il telaio principale con un panno morbido inumidito, lo sporco difficile da rimuovere può essere strofinato con uno spazzolino da denti. Successivamente, pulire tutte le aree con un panno asciutto.

ATTENZIONE!

- Non lavare il monopattino con getti d'acqua ad alta pressione.
- Non pulire il monopattino con un detergente corrosivo, che danneggerà la struttura esterna ed interna del monopattino.

Batteria

Caricare sempre prima di esaurire la batteria per prolungarne la durata.

Durante la guida, lo stoccaggio o la ricarica, non superare il limite di temperatura specificato (fare riferimento alle specifiche). La mancata osservanza delle istruzioni per l'uso, durante lo stoccaggio o la ricarica può causare danni alla batteria, mancata ricarica e invalidare la garanzia.

Il monopattino completamente carico ha un tempo di standby di circa 120-180 giorni. Se non viene utilizzato per molto tempo, dovrebbe essere ricaricato ogni 30 giorni. Prestare attenzione al tempo di standby per evitare danni irreversibili alla batteria causati dalla mancata ricarica.

ATTENZIONE!

- Non utilizzare pacchi batteria di altri modelli o marche, poiché potrebbero sussistere rischi per la sicurezza.
- Utilizzare esclusivamente il caricabatteria originale per evitare potenziali danni o incendi.
- Se la batteria è danneggiata o imbevuta d'acqua, non caricarla o continuare a usarla.
- Non rimuovere la batteria. La rimozione della batteria è complicata e un funzionamento improprio può influire sul funzionamento del monopattino.

Stoccaggio

Se il monopattino non verrà utilizzato per un lungo periodo di tempo, caricarlo completamente, quindi spegnerlo e metterlo da parte in un luogo fresco e asciutto. Ricaricare il monopattino almeno ogni 2 mesi per evitare danni alla batteria. Assicurarsi che il monopattino sia spento durante il trasporto e possibilmente conservato nella sua confezione originale.

ATTENZIONE!

- Non lasciare il monopattino sotto il sole caldo o in luoghi molto umidi per lunghi periodi di tempo.
- Non posizionare il monopattino vicino a materiali infiammabili.
- Questo prodotto contiene una batteria al litio incorporata e deve essere trasportato solo quando consentito dalle leggi e dai regolamenti locali.

Programma di manutenzione del monopattino (consigliato):

La manutenzione regolare del monopattino può aiutare a mantenere il monopattino in ordine e in buone condizioni, evitare rischi per la sicurezza, ridurre al minimo i guasti, rallentare il deterioramento del monopattino e prolungarne la vita utile.

Elemento	Oggetto di ispezione	Azioni	Ogni mese	Ogni 3 mesi	Ogni 500 km/ 6 mesi	Ogni 1000 km/ 1 anno	Ogni 10000 km/ 3 anni
Pneumatici	Pressione dei pneumatici	Gonfiare il pneumatico finché la sua pressione non raggiunge 45-50 psi.	✓		✓	✓	✓
	Usura del battistrada	Controllare se il pneumatico è incrinato, deformato, usurato, ecc.			✓	✓	✓
Viti	Viti di montaggio del manubrio	Serrare la vite che collega il gruppo manubrio con il gruppo asse (con la coppia consigliata di $4,8 \pm 0,2$ N·m).		✓	✓	✓	✓
		Serrare la vite dell'acceleratore (con la coppia consigliata di $1,6 \pm 0,1$ N·m).				✓	✓
		Serrare la vite della leva del freno (con la coppia consigliata di $5 \pm 0,2$ N·m).					

Elemento	Oggetto di ispezione	Azioni	Ogni mese	Ogni 3 mesi	Ogni 500 km/ 6 mesi	Ogni 1000 km/ 1 anno	Ogni 10000 km/ 3 anni
Funzioni	Regolazione del freno	Prima di effettuare regolazioni, assicurarsi che il monopattino sia spento e non in carica. Strumento: chiave esagonale da 14 mm (l'utensile deve essere preparato dall'utente). Se il freno è troppo stretto, utilizzare l'utensile per ruotare il dado sull'asta della vite in senso antiorario, in modo da accorciare leggermente la parte inferiore esposta del cavo del freno. Se il freno è troppo allentato, utilizzare l'utensile per ruotare il dado sull'asta della vite in senso orario, in modo da allungare leggermente la parte inferiore esposta del cavo del freno.			✓	✓	✓
		Carica			✓	✓	✓
	Sterzo	Ruotare il manubrio di 60° a sinistra e a destra per assicurarsi che l'angolo di sterzata sia corretto e che lo sterzo sia privo di resistenze e ristagni.				✓	✓
Componenti importanti	Assemblaggio della batteria	Caricare completamente il monopattino prima di lasciarlo inutilizzato per lungo tempo, accenderlo e ricaricarlo ogni 60 giorni.					✓

Ruote, pastiglie dei freni e altre parti vulnerabili usurate o danneggiate devono essere sostituite, contattare tempestivamente il servizio post-vendita.

4. Specifiche tecniche

Prodotto	Nome	NAVEE Electric Scooter	
	Modello	S40-E	S40-D
Dimensioni	Veicolo: L x P x A (mm) [1]	1195 x 610 x 1280	
	Dopo il ripiegamento: L x P x A (mm)	1195 x 605 x 560	
Peso netto	Peso netto veicolo (kg)	22,2	
Guidatore	Intervallo di carico (kg)	25-120	
	Età (anni)	16 - 50	
	Altezza (cm)	120 - 200	
Monopattino elettrico assemblato	Velocità max (km/h)	25	20
	Autonomia generale (km) [2]	ca. 40	
	Angolo di pendenza max (%)	ca. 18	
	Superfici adatte	Strada cemento o asfalto con dislivelli inferiori a 1 cm o fessure di ampiezza inferiore a 3 cm.	
	Temperatura di esercizio (°C)	Da -10 a 40	
	Temperatura di conservazione (°C)	Da -20 a 45	
	Grado IP	IPX5	
	Tempo di ricarica (h)	ca. 6	
Batteria	Modello	T2208-BA3A	
	Tensione nominale (VCC)	36	
	Tensione di ricarica max (VCC)	42	
	Energia nominale (Wh)	275,4	
	Sistema di gestione della batteria intelligente	Protezione da surriscaldamento, cortocircuito, sovracorrente, sovraccarico e sovraccarico	
	Gamma di temperatura di ricarica normale (°C)	Da 0 a 40	
Ruota motrice	Capacità nominale (Ah)	7,65	
	Potenza nominale (kW; W)	0,35; 350	
Caricabatteria	Modello [3]	LI-0554200130NA	
	Potenza in uscita (kW; W)	0,0533; 53,3	
	Ingresso	100-240 V~ 50-60 Hz	
	Tensione in uscita max (VCC)	42,0	
	Potenza in uscita nominale (VCC; A)	41,0; 1,3	
Gomma	Pneumatici anteriori e posteriori	Pneumatici da 10 pollici	
Bluetooth	Banda di frequenza (s)	2,4000-2,4835 GHz	
	Potenza RF max (dBm)	8	

[1] Altezza veicolo: dal suolo alla parte superiore del monopattino.

[2] Autonomia generale: misurata in assenza di vento e a 25 °C, con monopattino completamente carico e guida a velocità costante di 15 km/h su una superficie piana con un carico di 75 kg.

[3] Per ricaricare la batteria, utilizzare esclusivamente il caricabatteria fornito in dotazione. Verificare i parametri del caricabatteria nelle specifiche tecniche.

5. Certificazioni

Direttiva sulla restrizione dell'uso di sostanze pericolose (RoHS)

Questo prodotto di Brightway Innovation Intelligent Technology (Suzhou) Co., Ltd., e le sue parti incluse (cavi, corde, e così via) soddisfa le restrizioni sull'uso di determinate sostanze pericolose nelle apparecchiature elettriche ed elettroniche 2011/65/UE Allegato II e la sua modifica Direttiva (UE) 2015/863.

Dichiarazione di conformità europea



Questo dispositivo è conforme ai requisiti dell'UE relativi alla limitazione dell'esposizione del pubblico ai campi elettromagnetici come misura per la protezione della salute.

Con la presente, Brightway Innovation Intelligent Technology (Suzhou) Co., Ltd. dichiara che l'apparecchiatura radio di tipo: [S40-E] e [S40-D] è conforme alla Directive 2014/53/EU e 2006/42/EC. Il testo completo della dichiarazione di conformità UE è disponibile al seguente indirizzo Internet: www.naveetech.com

Dichiarazione di conformità per l'Unione europea Informazioni sul riciclaggio delle batterie per l'Unione europea



Le batterie o il relativo imballaggio sono etichettati conformemente alla direttiva europea 2006/66/CE e all'emendamento 2013/56/UE relativi alle batterie, agli accumulatori e ai rifiuti di batterie e accumulatori. La direttiva stabilisce il quadro per la restituzione e il riciclaggio delle batterie e degli accumulatori usati applicabile in tutta l'Unione europea. Questa etichetta si applica a varie batterie per indicare che la batteria non deve essere buttata via, ma piuttosto recuperata al termine della sua vita utile come da istruzioni contenute in questa direttiva.

Conformemente alla direttiva europea 2006/66/CE e all'emendamento 2013/56/UE, le batterie e gli accumulatori vengono etichettati in modo da indicare che devono essere raccolti separatamente e riciclati al termine della relativa vita utile. L'etichetta sulla batteria può inoltre includere un simbolo chimico per il metallo utilizzato per la batteria (Pb per il piombo, Hg per il mercurio e Cd per il cadmio). Gli utenti di batterie e accumulatori non devono smaltire batterie e accumulatori tra i rifiuti indifferenziati, ma utilizzare il quadro di raccolta disponibile ai clienti per il reso, il riciclaggio e il trattamento di batterie e accumulatori. La partecipazione del cliente è importante per ridurre al minimo i potenziali effetti di batterie e accumulatori sull'ambiente e sulla salute umana dovuti alla potenziale presenza di sostanze pericolose.

Prima di smaltire le apparecchiature elettriche ed elettroniche (AEE) tramite la raccolta rifiuti o in strutture di raccolta rifiuti, l'utente finale di apparecchiature che contengono batterie e/o accumulatori deve rimuovere le batterie e gli accumulatori suddetti, per la raccolta differenziata.

Direttiva sui rifiuti di apparecchiature elettriche ed elettroniche (RAEE)



Tutti i prodotti contrassegnati da questo simbolo sono rifiuti di apparecchiature elettriche ed elettroniche (RAEE) in base alla direttiva 2012/19/UE che non devono essere smaltiti assieme a rifiuti domestici non differenziati. Al contrario, è necessario proteggere l'ambiente e la salute umana consegnando i rifiuti a un punto di raccolta autorizzato al riciclaggio di rifiuti di apparecchiature elettriche ed elettroniche, predisposto dalla pubblica amministrazione o dalle autorità locali. Lo smaltimento e il riciclaggio corretti aiutano a prevenire conseguenze potenzialmente negative per l'ambiente e alla salute umana. Contattare l'installatore o le autorità locali per ulteriori informazioni sulla sede e per i termini e le condizioni di tali punti di raccolta.

Avvertenza di sicurezza



Pericolo!
Leggere il manuale d'uso prima dell'utilizzo.



ATTENZIONE!
Leggere attentamente e conservare per future consultazioni.



ATTENZIONE
Superficie calda



Non esporre all'umidità



Luce



SMPS incorpora un trasformatore di isolamento di sicurezza a prova di cortocircuito (intrinsecamente o non intrinsecamente)



SMPS (Alimentatore a commutazione)



Fusibile miniaturizzato ritardato dove X indica la caratteristica tempo/corrente come indicato in IEC 60127



ATTENZIONE!
Solo per un uso ambienti interni (per il caricatore).



AVVERTENZA
Apparato di classe II



ATTENZIONE
Bordi taglienti



≤5000m

Il caricabatterie è destinato all'uso ad altitudini non superiori a 5000m.



Indicatori di direzione



Corrente continua



Corrente alternata



Polarità dell'uscita del caricatore, positivo centrale

Caricabatteria

ATTENZIONE

1. Il caricabatterie è progettato solo per un uso in ambienti interni. Non esporlo alla pioggia o alla neve.
2. Non utilizzare batterie non ricaricabili poiché potrebbero surriscaldarsi e rompersi.
3. L'uso improprio di altri tipi di batterie potrebbe generare esplosioni causando lesioni personali e danni materiali.
4. Non incenerire, smontare o cortocircuitare le batterie.
5. Se le prestazioni delle batterie diminuiscono sostanzialmente, è giunto il momento di sostituirle.
6. Porre il caricabatterie in un luogo fresco e asciutto quando non in uso.
7. Scollegare l'alimentazione prima di effettuare o interrompere i collegamenti alla batteria.
8. Gas esplosivi. Evitare fiamme e scintille. Fornire un'adeguata ventilazione durante la ricarica.
9. Durante la ricarica, la batteria deve essere collocata in un'area ben ventilata.
10. Tenere gli apparecchi elettrici fuori dalla portata dei bambini o dalle persone con ridotte capacità fisiche e/o mentali e non lasciare che utilizzino gli apparecchi senza alcuna supervisione.
11. Questa apparecchiatura non è destinata all'uso da parte di persone (inclusi i bambini) con capacità fisiche, sensoriali o mentali ridotte, o con mancanza di esperienza e conoscenza, a meno che non siano sotto la supervisione di un adulto o tutore o abbiano ricevuto istruzioni relative all'uso dell'apparecchiatura da una persona responsabile per la loro sicurezza.
12. Questa apparecchiatura può essere utilizzata da bambini di età pari o superiore a 8 anni e da persone con ridotte capacità fisiche, sensoriali o mentali o con mancanza di esperienza e conoscenza solo se sotto la supervisione di un adulto o tutore o se abbiano ricevuto istruzioni relative all'uso dell'apparecchio in modo sicuro e abbiano compreso i rischi connessi. I bambini non devono giocare con l'apparecchiatura. La pulizia e la manutenzione non devono essere eseguite da bambini senza la supervisione di un adulto.
13. Il cavo flessibile esterno o il cordone di questo trasformatore non può essere sostituito; se il cavo è danneggiato il trasformatore dovrà essere smaltito.
14. Se il cavo di alimentazione è danneggiato, deve essere sostituito con un cavo o un gruppo speciale disponibile presso il produttore o il suo agente dedicato all'assistenza.

Istruzioni per la ricarica

1. Collegare il caricabatterie direttamente ad una fonte di alimentazione. Non utilizzare mai prolunghe.
2. Il caricabatterie può caricare solo batterie agli ioni di litio LI-054200130NA.
3. Evitare la ricarica inversa.
4. I caricabatterie non sono destinati a ricaricare le batterie delle automobili.

ATTENZIONE

1. Non smontare, aprire o distruggere celle o batterie secondarie.
2. Tenere le batterie fuori dalla portata dei bambini. L'utilizzo della batteria da parte dei bambini deve essere sotto la supervisione di un adulto. Tenere soprattutto le batterie di dimensioni ridotte fuori dalla portata dei bambini piccoli.
3. Consultare immediatamente un medico se una cella o una batteria è stata ingerita.
4. Non esporre le celle o le batterie al calore o al fuoco. Evitare di porre le batterie o le celle alla luce solare diretta in qualsiasi caso.
5. Non cortocircuitare una cella o una batteria. Non porre le celle o le batterie in modo casuale in una scatola o in un cassetto dove potrebbero cortocircuitarsi a vicenda o essere cortocircuitate da altri oggetti metallici.
6. Non rimuovere una cella o una batteria dalla confezione originale fino al momento dell'uso.
7. Non sottoporre le celle o le batterie a shock meccanici.
8. In caso di perdite dalla cella, evitare che il liquido entri in contatto con la pelle o gli occhi. In caso di contatto, lavare l'area interessata con abbondanti quantità di acqua e consultare un medico.
9. Non utilizzare caricabatterie diversi da quelli specificatamente forniti per l'uso con l'apparecchiatura.
10. Osservare i segni più (+) e meno (-) sulla cella, sulla batteria e sull'apparecchiatura e garantire un uso corretto.
11. Non utilizzare celle o batterie non progettate per l'uso con l'apparecchiatura.
12. Non mescolare celle di diversi produttori, capacità, dimensioni o tipi all'interno di un dispositivo.
13. Acquistare sempre la batteria consigliata dal produttore del dispositivo per l'apparecchiatura.
14. Mantenere le celle e le batterie pulite e asciutte.
15. Se si sporcano, pulire la cella o i terminali della batteria con un panno pulito e asciutto.
16. Le celle secondarie e le batterie devono essere ricaricate prima dell'uso. Utilizzare sempre il caricabatterie corretto e fare riferimento alle istruzioni del produttore o al manuale dell'apparecchiatura per le istruzioni di ricarica corrette.
17. Non lasciare la batteria in ricarica per un periodo eccessivamente prolungato quando non viene utilizzata.
18. Dopo un lungo periodo di messa a parte senza utilizzo, potrebbe essere necessario ricaricare e scaricare più volte le celle o le batterie per ottenere le massime prestazioni.
19. Conservare la documentazione originale del prodotto per futuri riferimenti.
20. Utilizzare la cella o la batteria solo per lo scopo per la quale è prevista.
21. Quando possibile, rimuovere la batteria dall'apparecchiatura quando non viene utilizzata.
22. Smaltire correttamente.

1. Instrucciones de seguridad

¡IMPORTANTE! Lea atentamente antes de utilizar el producto y guárdelo para futuras consultas. Para obtener un manual electrónico detallado, visite www.naveetech.com

- Este aparato no está destinado a ser utilizado por personas (incluidos los niños) con capacidades físicas, sensoriales o mentales reducidas, o con falta de experiencia y conocimientos, a menos que hayan recibido supervisión o instrucciones sobre el uso del aparato por parte de una persona responsable de su seguridad. Los niños deben ser supervisados para garantizar que no jueguen con el aparato.
- Este aparato está destinado a propietarios mayores de 8 años y a personas con capacidades físicas, sensoriales o mentales reducidas o con falta de experiencia y conocimientos, siempre que se les haya supervisado o instruido sobre el uso del aparato de forma segura y comprendan los peligros que conlleva. Los niños no deben jugar con el aparato. La limpieza y el mantenimiento del usuario no deben ser realizados por los niños sin supervisión.
- El aparato sólo debe utilizarse con la fuente de alimentación suministrada con el aparato.
- Antes de conducir, use cascos, protectores para manos/muñecas, rodilleras, coderas y otros equipos de protección en todo momento. Una conducción inadecuada puede provocar caídas o accidentes graves.
- El scooter debe ser utilizado por una sola persona. Siempre debe usar calzado. No desvíe el uso del vehículo. Este producto es sólo para uso personal y no está diseñado para uso acrobático o de acrobacia.
- El producto está recomendado para jinetes mayores de 16 años y menores de 50. Las personas que no son adecuadas para montar este producto son: (1) personas bajo la influencia del alcohol o las drogas, (2) personas incapaces de realizar actividades físicas extenuantes debido a condiciones de salud o físicas, (3) personas incapaces de mantener el equilibrio o que no pueden mantener el equilibrio debido a una discapacidad motriz, (4) personas cuyo tamaño excede el límite de peso, (5) mujeres embarazadas, (6) personas que sufren deficiencias visuales y/o auditivas.
- Cumpla con las leyes y reglamentos locales cuando conduzca este producto. No conduzca donde lo prohíban las leyes locales.
- Cuando conduzca en países y regiones en los que no existan normas y reglamentos nacionales relevantes para los scooters eléctricos, asegúrese de cumplir estrictamente los requisitos de seguridad para los conductores incluidos en este manual de instrucciones. Brightway innovation Intelligent Technology (Suzhou) Co., Ltd. no asumirá ninguna responsabilidad directa y solidaria por todos los bienes, pérdidas personales, accidentes, disputas legales y todos los demás eventos adversos que causen conflictos de intereses causados por el uso de comportamientos que violen las instrucciones de uso.
- No circule por carriles de tráfico o zonas residenciales en las que estén permitidos tanto los vehículos como los peatones. Cuando pase por un lugar designado para los peatones que tienen derecho a las leyes de derecho de paso, como el paso de peatones, bájese para caminar junto con el scooter.
- No elija lugares donde puedan aparecer niños, peatones, mascotas, vehículos, bicicletas u otros obstáculos y peligros potenciales para su primer viaje.
- Los preparativos antes de usar el producto incluyen: verifique que el sistema de dirección esté correctamente ajustado, los accesorios conectados (como el sistema de plegado) y correctamente apretados y sin daños, y que

los frenos y las ruedas estén en buenas condiciones.

- Realice una inspección básica del scooter eléctrico antes de cada viaje. Si hay condiciones anormales como piezas sueltas, alertas de batería baja, neumáticos pinchados o desgaste excesivo de los neumáticos, sonidos extraños, mal funcionamiento y otras condiciones anormales, deje de montar inmediatamente y llame a la asistencia profesional.
- Tómese el tiempo para aprender los conceptos básicos de la práctica para evitar cualquier accidente grave que pueda ocurrir en los primeros meses. Información sobre la práctica y el uso seguro (se puede encontrar en el sitio web: www.naveetech.com)
- Para conducir con seguridad, debes poder ver claramente lo que tienes delante y ser claramente visible para los demás.
- No conduzca con mal tiempo, baja visibilidad o después de un esfuerzo físico intenso.
- Encienda los faros y disminuya la velocidad cuando conduzca en la oscuridad.
- Asegúrese de que el caballete está colocado sobre una superficie plana y de que el patinete/monopatín sea lo suficientemente estable como para mantenerse en pie por sí solo antes de dejarlo.
- Este scooter eléctrico es un dispositivo de ocio. Sin embargo, al entrar en una zona pública, se considerará un medio de transporte y estará sujeto a los posibles riesgos de seguridad de todos los medios de transporte. Conducir siguiendo estrictamente las instrucciones de este manual le protegerá a usted y a los demás en la mayor medida posible.
- El usuario debe comprobar los límites de uso de acuerdo con la normativa local. Conduzca el scooter por las carreteras o zonas permitidas por las normativas y leyes locales y apárquelo en las zonas permitidas. Si las normativas y leyes locales tienen disposiciones diferentes sobre la velocidad máxima, prevalecerán las normativas y leyes locales. Por favor, respete y siga las normas de seguridad vial y del vehículo.
- Respete el derecho de paso de los peatones. Intente no asustarlos mientras conduce, especialmente a los niños. Cuando circule por detrás de los peatones, toque el timbre para avisarles y reduzca la velocidad de su scooter para pasar por su izquierda, y manténgase a la derecha a baja velocidad mientras los cruza (aplicable a los países donde los vehículos circulan por la derecha). Cuando te cruces con peatones, mantén la velocidad más baja o bájate del vehículo.
- En cualquier caso, anticipe su trayectoria y su velocidad respetando el código de circulación, el de la acera y el de los más vulnerables. Avisa de tu presencia al acercarte a un peatón o ciclista cuando no te vean ni te oigan. Cruce los pasos protegidos mientras camina. Evitar las zonas de mucho tráfico o de gran afluencia.
- Circular a gran velocidad o a una velocidad no apropiada o adecuada a la situación (malas condiciones meteorológicas, mal estado de la superficie o similares) puede provocar una posible pérdida de estabilidad o de control. Para reducir cualquier riesgo, debe seguir todas las instrucciones de este manual. Tenga cuidado al montar y desmontar el producto, ya que podría caerse y causar lesiones.
- El tráfico en la ciudad tiene muchos obstáculos que cruzar, como bordillos o escalones. Se recomienda evitar los saltos de obstáculos. Es importante anticiparse y adaptar su trayectoria y velocidad a las de un peatón antes de cruzar estos obstáculos. También se recomienda bajarse del vehículo cuando estos obstáculos se vuelvan peligrosos por su forma, altura o deslizamiento.
- No preste su scooter a quien no conozca su funcionamiento. Antes de prestar el scooter eléctrico a otras personas, asegúrese de que el conductor ha leído este manual de instrucciones y ha visto el vídeo de instrucciones, y ha comprendido el funcionamiento básico. Recuerde a los conductores que deben llevar correctamente la protección de seguridad para garantizar la seguridad de los conductores.

- Contáctese con tu vendedor para conocer las organizaciones de formación adecuadas.
- En todos los casos, tenga cuidado con usted mismo y con los demás.
- Cualquier carga fijada al manillar afectará a la estabilidad del vehículo.
- No toque el sistema de frenos, ya que podría causar lesiones debido a los bordes afilados. El freno puede calentarse durante su uso. No lo toque después de usarlo.
- El nivel de presión sonora de las emisiones ponderadas A es inferior a 70 dB(A).
- Para una mejor experiencia de conducción, se recomienda realizar un mantenimiento regular del producto.
- Elimine los bordes afilados causados por el uso.
- No se deben utilizar accesorios ni elementos adicionales que no estén aprobados por el fabricante.
- El mantenimiento regular del vehículo es un factor de seguridad.
- Las tuercas de autoapriete, así como las demás fijaciones de autoapriete, pueden perder su eficacia y es posible que sea necesario volver a apretarlas.
- Compruebe regularmente el apriete de los distintos elementos atornillados, en particular los ejes de las ruedas, el sistema de plegado, el sistema de dirección y el eje de los frenos.
- No modifique ni transforme el vehículo, incluidos el tubo y el manguito de dirección, la potencia, el mecanismo de plegado y el freno trasero.
- No haga ninguna modificación que no esté indicada en las instrucciones.
- Asegúrese de que el scooter está apagado cuando se transporta y guárdelo en su embalaje original si es posible.
- Para evitar lesiones accidentales como descargas eléctricas e incendios causados por un uso inadecuado, lea atentamente las instrucciones antes de utilizar el producto y guárdelas debidamente para futuras consultas.
- Por favor, utilice este producto de acuerdo con las instrucciones del Manual del Usuario. Los usuarios son responsables de cualquier pérdida o daño derivado del uso inadecuado de este producto.
- Apague el vehículo o active un modo no operativo durante la carga.
- No cargue si el puerto de carga o el cable de carga están mojados. Lea atentamente este manual antes de realizar la carga.
- No cargue el scooter a una temperatura ambiente superior a 40°C o inferior a 0°C.
- Mantenga una distancia de seguridad cuando el scooter circule por una carretera llana/sin pendiente. La distancia de frenado aumentará en tiempo húmedo.
- La amortiguación de este producto no es ajustable (si procede).
- El aparato no está diseñado para su uso en elevaciones superiores a 2000 m sobre el nivel del mar.
- El aparato debe desconectarse de la fuente de alimentación durante el mantenimiento y la sustitución de piezas.
- El cable flexible externo o cordón de este transformador (cargador) no puede ser reemplazado; si el cordón está dañado, el transformador (cargador) deberá ser desechado.
- Si el cable o cordón flexible externo de este transformador está dañado, debe ser reemplazado por el fabricante o su agente de servicio o una persona calificada similar para evitar un peligro.
- Si el cable de alimentación está dañado, debe ser reemplazado por el fabricante, su agente de servicio o personas igualmente calificadas para evitar un peligro.
- Este producto contiene baterías que sólo pueden ser sustituidas por técnicos cualificados o el servicio postventa.

- Las baterías solo pueden ser reemplazadas por personas calificadas.

ADVERTENCIA! Con el fin de recargar la batería, utilice únicamente la unidad de suministro desmontable provista con este aparato. No utilice un cargador de batería de ningún otro producto. Mantenga una distancia segura de los combustibles circundantes durante la carga, el vehículo debe colocarse en un área bien ventilada.

ADVERTENCIA! No utilice una batería o un cargador de batería de otros fabricantes. Utilice sólo la unidad de alimentación LI-0554200130NA.

¡ADVERTENCIA! Mantenga la cubierta de plástico lejos de los niños para evitar que se asfixien.

¡ADVERTENCIA! No utilice el producto cerca de una fuente de agua.

¡ADVERTENCIA! Deje de usar el producto cuando esté dañado.

¡ADVERTENCIA! Como cualquier componente mecánico, un vehículo está sometido a grandes tensiones y desgaste. Los distintos materiales y componentes pueden reaccionar de forma diferente al desgaste o a la fatiga. Si se supera la vida útil prevista para un componente, éste puede romperse repentinamente, con el consiguiente riesgo de causar lesiones al usuario. Las grietas, los arañazos y la decoloración en las zonas sometidas a grandes tensiones indican que el componente ha superado su vida útil y le rogamos que se ponga en contacto con un reparador autorizado o especializado.

 Pieza de alimentación desmontable

Instrucciones ambientales

El scooter contiene un paquete de baterías recargables de iones de litio, y la eliminación inadecuada de estas baterías causará daños al medio ambiente. Siga los pasos que se indican a continuación para extraer las baterías antes de desechar el scooter y deséchelas correctamente:

1. Antes de quitar la batería, es aconsejable agotar completamente la batería y asegurarse de que el scooter esté desconectado de la energía. A continuación, desenrosque la tapa inferior del scooter para quitarlo y retire el soporte de fijación de la batería.
2. Desenchufe el conector de las baterías y, a continuación, extraiga las baterías. No dañe la caja de las baterías para evitar cualquier riesgo de lesiones. No utilice la batería si está dañada, tiene un olor extraño, emite humo o se sobrecalienta. Mantenga la batería con fugas alejada de otros objetos.
3. Deseche las baterías extraídas en un centro de reciclaje profesional.

Para encontrar un taller de servicio calificado, contáctenos en service@navee.tech/www.naveetech.com

2. Instrucciones de encendido/apagado y luces

Encendido/apagado

Pulse el botón  para encender el scooter y manténgalo pulsado el botón  durante 2 o 3 segundos para apagarlo. Cuando el scooter esté encendido, pulse dos veces para cambiar los modos de conducción.

Luz

Cuando el scooter esté encendido, pulsa el botón de encendido para encender/apagar la luz frontal y trasera. Alternativamente, puede activar la función automática de detección de luz a través de la APP. Durante el viaje, la luz delantera y trasera se encenderán/apagarán automáticamente en función de la luminosidad ambiental.

Nota: Después de activar la función automática de detección de luz, si enciende o apaga la luz manualmente, esta función se desactivará temporalmente. Deberá reiniciar el scooter eléctrico para que surta efecto.

Luz de dirección

Cuando el scooter esté encendido, pulse el botón de la luz de dirección izquierda o derecha, entonces la luz de dirección correspondiente y el indicador del panel de control parpadearán. Mientras tanto, el zumbador responderá con la misma frecuencia. Pulse de nuevo el botón para apagar la luz de dirección.

Luz de freno

Al conducir, mantenga pulsada la palanca de freno y se encenderá la luz de freno (luz trasera).

3. Cuidado y mantenimiento

Limpieza

Antes de limpiar el scooter, debe apagar la corriente, desenchufar los cables de carga y cerrar bien la tapa de carga.

Limpie el chasis principal con un paño suave y húmedo, la suciedad difícil de eliminar se puede frotar con un cepillo de dientes. A continuación, limpie todas las zonas con un paño seco.

¡ADVERTENCIA!

- No lave el scooter con un chorro de agua a alta presión.
- No limpie el scooter con un limpiador corrosivo, que dañará la estructura externa e interna del scooter.

Batería

Cargue siempre antes de agotar la batería para prolongar su vida útil.

Cuando monte, almacene o cargue la batería, no exceda el límite de temperatura especificado (consulte las especificaciones). El incumplimiento de las instrucciones de uso, almacenamiento o carga puede provocar daños en la batería, fallos en la carga y la anulación de la garantía.

El scooter completamente cargado tiene un tiempo de espera aproximado de 120-180 días. Si no se utiliza durante mucho tiempo, debe cargarse cada 30 días. Por favor, preste atención al tiempo de espera para evitar daños irreversibles en la batería causados por la falta de carga.

¡ADVERTENCIA!

- No utilice paquetes de baterías de otros modelos o marcas, ya que puede haber un riesgo de seguridad.
- Utilice únicamente el cargador de baterías original para evitar posibles daños o incendios.
- Si la batería está dañada o empapada de agua, no la cargue ni siga utilizándola.
- No extraiga la batería. La extracción de la batería es complicada y una operación inadecuada puede afectar al funcionamiento del scooter.

Almacenamiento

Si el scooter no se va a utilizar durante un período prolongado, cárguelo completamente, luego apáguelo y guárdelo en un lugar fresco y seco. Recargue el scooter al menos cada 2 meses para evitar que la batería se dañe. Asegúrese de que el scooter está apagado cuando se transporta y guárdelo en su embalaje original si es posible.

¡ADVERTENCIA!

- No deje el scooter bajo el sol o en un lugar muy húmedo durante largos periodos de tiempo.
- No coloque el scooter cerca de materiales inflamables.
- Este producto contiene una batería de litio incorporada y debe ser transportado sólo cuando lo permitan las leyes y regulaciones locales.

Programa de mantenimiento del scooter (recomendado):

El mantenimiento regular del scooter puede ayudar a mantenerlo limpio y en buen estado, evitar riesgos de seguridad, minimizar las averías, ralentizar el deterioro del scooter y prolongar su vida útil.

Artículo	Objeto de servicio	Acciones	Cada mes	Cada 3 meses	ECada 500 km/ 6 meses	Cada 1000 km/ 1 año	Cada 10000 km/ 3 años
Neumáticos	Presión de los neumáticos	Infle el neumático hasta que su presión alcance los 45-50 psi.	√		√	√	√
	Desgaste de la banda de rodadura	Compruebe si el neumático está agrietado, deformado, desgastado, etc.			√	√	√
Tornillos	Tornillos de montaje del manillar	Apriete el tornillo que une el conjunto del manillar con el conjunto de la potencia (con el par de apriete recomendado de 4,8 ± 0,2 N-m).		√	√	√	√
		Apriete el tornillo del acelerador (con el par recomendado de 1,6 ± 0,1 N-m).					
		Apriete el tornillo de la palanca de freno (con el par recomendado de 5 ± 0,2 N-m).				√	√

Artículo	Objeto de servicio	Acciones	Cada mes	Cada 3 meses	ECada 500 km/ 6 meses	Cada 1000 km/ 1 año	Cada 10000 km/ 3 años
Funciones	Ajuste de los frenos	Antes de realizar el ajuste, asegúrese de que el scooter está apagado y no se está cargando. Herramienta: Llave hexagonal de 14 mm (la herramienta debe ser preparada por el usuario). Si el freno está demasiado apretado, utilice la herramienta para girar la tuerca del tornillo roscado en sentido antihorario, para acortar ligeramente la parte inferior expuesta del cable de freno. Si el freno está demasiado flojo, utilice la herramienta para girar la tuerca del tornillo roscado en sentido horario, de modo que se alargue ligeramente la parte inferior expuesta del cable de freno.			✓	✓	✓
	Carga	Cargue el scooter a una temperatura adecuada. El indicador del cargador de baterías es rojo cuando el scooter se está cargando, y se vuelve verde cuando el scooter está completamente cargado. El panel de control mostrará el estado de carga simultáneamente durante la carga.			✓	✓	✓
	Dirección	Gire el manillar 60° a la izquierda y a la derecha para asegurarse de que el ángulo de giro es correcto y la dirección no presenta resistencia ni se estanca.				✓	✓
Componentes importantes	Montaje de la batería	Cargue completamente el scooter antes de dejarlo sin usar durante mucho tiempo, y póngalo a cargar cada 60 días.					✓

Si las ruedas, las pastillas de freno y otras piezas vulnerables están desgastadas o dañadas y necesitan ser sustituidas, póngase en contacto a tiempo con el servicio postventa.

4. Especificaciones

Producto	Nombre	NAVEE Electric Scooter	
	Modelo	S40-E	S40-D
Dimensiones	Desplegado: La. × An. × AL. (mm) ^[1]	1195 × 610 × 1280	
	Plegado: La. × An. × AL. (mm)	1195 × 605 × 560	
Peso neto	Peso neto del vehículo (kg)	22,2	
Conductor	Rango de carga (kg)	25-120	
	Edad (años)	16-50	
	Longitud del cuerpo (cm)	120-200	
Patinete eléctrico montado	Velocidad máxima (km/h)	25	20
	Autonomía máxima (km) ^[2]	aprox. 40	
	Ángulo de subida (%)	aprox. 18	
	Superficies adecuadas	Carretera de cemento o asfalto, con desniveles inferiores a 1 cm o hendiduras de estrechez inferior a 3 cm.	
	Temperatura de funcionamiento (°C)	de -10 a 40	
	Temperatura de almacenamiento (°C)	de -20 a 45	
	Clasificación IP	IPX5	
	Tiempo de carga (h)	aprox. 6	
Pack de batería	Modelo	T2208-BA3A	
	Voltaje nominal (VCC)	36	
	Voltaje de carga máxima (V CC)	42	
	Potencia nominal (Wh)	275,4	
	Sistema de gestión inteligente de la batería	Protección contra sobrecalentamientos, cortocircuitos, sobretensiones, sobredescargas y sobrecargas	
	Rango de temperatura de carga normal (°C)	de 0 a 40	
Motor de la rueda	Capacidad nominal (Ah)	7,65	
	Potencia nominal (kW; W)	0,35; 350	
	Cargador de la batería	Modelo ^[3]	LI-0554200130NA
Potencia de salida (kW; W)		0,0533; 53,3	
Entrada		100-240 V~ 50-60 Hz	
Voltaje de salida máxima (V CC)		42,0	
Rueda	Salida nominal (VCC; A)	41,0; 1,3	
	Neumáticos delanteros y traseros	Neumáticos de 10 pulgadas	
Bluetooth	Banda(s) de frecuencia	2,4000-2,4835 GHz	
	Potencia RF máxima (dBm)	8	

[1] Altura del vehículo: desde el suelo hasta la parte superior del patinete.

[2] Rango general: determinado sin viento y a una temperatura de 25 °C, el patinete está totalmente cargado para funcionar a una velocidad constante de 15 km/h en una superficie llana con una carga de 75 kg.

[3] Para recargar la batería, utilice únicamente el cargador de batería suministrado en el paquete. Consulte las características del cargador de batería en el apartado de Especificaciones.

5. Certificaciones

Direttiva sulla restrizione dell'uso di sostanze pericolose (RoHS)

Este producto de Brightway Innovation Intelligent Technology (Suzhou) Co., Ltd., con las piezas incluidas (cables, cordones, etc.) cumple con la restricción de uso de determinadas sustancias peligrosas en equipos eléctricos y electrónicos 2011/65/UE Anexo II y su modificación Directiva (UE) 2015/863.

Declaración de conformidad de la UE



Este dispositivo cumple los requisitos de la UE sobre la limitación de la exposición del público general a campos electromagnéticos como forma de proteger la salud. Por la presente, Brightway Innovation Intelligent Technology (Suzhou) Co., Ltd. declara que el tipo de equipo radioeléctrico [S40-E] y [S40-D] cumple con la Directiva 2014/53/UE y 2006/42/CE. Encontrará el texto completo de la declaración de conformidad de la UE en esta dirección de Internet: www.naveetech.com

Declaración de cumplimiento de la Unión Europea

Información sobre el reciclaje de las baterías para la Unión Europea



Las baterías o los packs de batería están etiquetados de acuerdo con la Directiva europea 2006/66/CE y la enmienda 2013/56/UE relacionadas con las baterías y acumuladores y con las baterías y acumuladores usados. La Directiva determina el marco de la devolución y el reciclaje de las baterías y acumuladores usados, según sea aplicable en toda la UE. Esta etiqueta se aplica a diferentes baterías para indicar que no se deben desechar, sino que deben recuperarse al final de su vida útil según esta Directiva.

Según la Directiva europea 2006/66/CE y la enmienda 2013/56/UE, las baterías y acumuladores están etiquetados para indicar que deben recogerse por separado y reciclarse al final de su vida útil. La etiqueta de la batería puede también incluir un símbolo químico para indicar el metal correspondiente de la batería (Pb para el plomo, Hg para el mercurio y Cd para el cadmio). Los usuarios de baterías y acumuladores no deben desecharlos como residuos urbanos sin clasificar, sino que deberán atenderse al marco de recogida disponible para las baterías, reciclar y tratar las baterías y acumuladores. La participación del cliente es importante para minimizar los efectos potenciales que puedan tener las baterías y acumuladores en el medio ambiente y en la salud humana debido a la presencia de sustancias peligrosas.

Antes de colocar equipos eléctricos y electrónicos (EEE) en la cadena o en las instalaciones de recogida de residuos, el usuario final del equipo que contenga baterías y/o acumuladores deberá desechar esas baterías y acumuladores por separado.

Directiva sobre residuos de aparatos eléctricos y electrónicos (RAEE)



Todos los productos que llevan este símbolo son residuos de aparatos eléctricos y electrónicos (RAEE) según la directiva 2012/19/UE que no deben mezclarse con residuos domésticos sin clasificar. En su lugar, debe proteger la salud humana y el medio ambiente entregando sus equipos de desecho a un punto de recogida para el reciclaje de residuos de equipos eléctricos y electrónicos, designado por el gobierno o las autoridades locales. La eliminación y el reciclado correctos ayudarán a evitar posibles consecuencias negativas para el medio ambiente y la salud humana. Póngase en contacto con el instalador o con las autoridades locales para obtener más información sobre la ubicación y las condiciones de dichos puntos de recogida.

Advertencia de seguridad



¡Peligro!
Lea el manual de usuario antes de utilizarlo.



¡ADVERTENCIA!
Sólo para uso en interiores
(para el cargador).



¡ADVERTENCIA!
Léalo atentamente y consérvelo para futuras consultas.



ADVERTENCIA
Aparato de Clase II



¡ADVERTENCIA!
Superficie caliente



¡ADVERTENCIA!
Bordes afilados



No exponer a la humedad



≤5000m

El cargador debe usarse en altitudes no superiores a 5000m.



Luz



Luz de dirección



SMPS con transformador de aislamiento de seguridad a prueba de cortocircuitos (inherente o no inherente)



Corriente continua



SMPS (fuente de alimentación conmutada)



Corriente alterna



Fusible miniatura de retardo donde X es el símbolo de la característica tiempo/corriente según IEC 60127



Polaridad de la salida del cargador, centro positivo

Cargador de la batería

ADVERTENCIA

1. El cargador está diseñado sólo para uso en interiores. No lo exponga a la lluvia ni a la nieve.
2. No utilice para baterías no recargables, ya que pueden sobrecalentarse y romperse.
3. El mal uso de otro tipo de baterías puede reventar causando lesiones personales y daños.
4. No incinere, desmonte ni cortocircuite las baterías.
5. Si el rendimiento de las baterías disminuye sustancialmente, es el momento de cambiarlas.
6. Guarde el cargador en un lugar fresco y seco cuando no lo utilice.
7. Desconecte la alimentación antes de realizar o interrumpir las conexiones a la batería.
8. Gases explosivos. Evite las llamas y las chispas. Proporcione una ventilación adecuada durante la carga.
9. Durante la carga, la batería debe colocarse en una zona bien ventilada.
10. Mantenga los aparatos eléctricos fuera del alcance de los niños o personas enfermas. No permita que utilicen los aparatos sin supervisión.
11. Este aparato no está diseñado para ser utilizado por personas (incluidos niños) con capacidades físicas, sensoriales o mentales reducidas, o con falta de experiencia y conocimientos, a menos que hayan recibido supervisión o instrucciones sobre el uso del aparato por parte de una persona responsable de su seguridad.
12. Este aparato puede ser utilizado por niños a partir de 8 años y por personas con capacidades físicas, sensoriales o mentales reducidas o con falta de experiencia y conocimientos, siempre que hayan sido supervisados o instruidos acerca del uso del aparato de forma segura y comprendan los peligros que conlleva. Los niños no deben jugar con el aparato. Los niños no deben limpiar ni realizar tareas de mantenimiento sin supervisión.
13. El cable flexible externo o cordón de este transformador no puede ser reemplazado; si el cordón está dañado, el transformador deberá ser desechado.
14. Si el cable de alimentación está dañado, debe ser sustituido por un cable o conjunto especial disponible a través del fabricante o de su agente de servicio.

Instrucciones de carga

1. Conecte el cargador directamente a una fuente de alimentación. No utilice alargadores.
2. El cargador sólo puede cargar baterías de iones de litio LI-0554200130NA.
3. Evite la carga inversa.
4. Los cargadores no están diseñados para cargar baterías de automóviles.

Pack de batería

ADVERTENCIA

1. No desmonte, abra ni triture las pilas secundarias ni las baterías.
2. Mantenga las baterías fuera del alcance de los niños. Se debe supervisar el uso de las baterías por parte de los niños. Especialmente mantenga las baterías pequeñas fuera del alcance de los niños pequeños.
3. Acuda inmediatamente a un médico en caso de ingestión de una pila o una batería.
4. No exponga las pilas ni las baterías al calor o al fuego. Evite almacenarlas a la luz directa del sol.
5. No cortocircuite las pilas ni las baterías. No almacene pilas o baterías al azar en una caja o cajón donde puedan cortocircuitarse entre sí o ser cortocircuitadas por otros objetos metálicos.
6. No saque una pila o batería de su embalaje original hasta que sea necesario para su uso.
7. No someta las pilas o baterías a golpes mecánicos.
8. En caso de fuga de una pila, no permita que el líquido entre en contacto con la piel o los ojos; si se produce el contacto, lave la zona afectada con abundante agua y acuda a un médico.
9. No utilice ningún otro cargador que no sea el suministrado específicamente para su uso con el equipo.
10. Observe las marcas más (+) y menos (-) de la pila, la batería y el equipo y asegúrese de que se utilizan correctamente.
11. No utilice pilas o baterías que no estén diseñadas para su uso con el equipo.
12. No mezcle pilas de diferente fabricación, capacidad, tamaño o tipo dentro de un mismo aparato.
13. Compre siempre la batería recomendada por el fabricante del dispositivo para el equipo.
14. Mantenga las pilas y baterías limpias y secas.
15. Limpie los terminales de la pila o batería con un paño limpio y seco si se ensucian.
16. Las pilas y baterías secundarias deben cargarse antes de su uso. Utilice siempre el cargador correcto y consulte las instrucciones del fabricante o el manual del equipo para conocer las instrucciones de carga adecuadas.
17. No deje una batería en carga prolongada cuando no esté en uso.
18. Después de largos períodos de almacenamiento, puede ser necesario cargar y descargar las celdas obaterías varias veces para obtener el máximo rendimiento.
19. Conserve la literatura original del producto para futuras consultas.
20. Utilice la pila o batería sólo en la aplicación para la que fue diseñada.
21. Cuando sea posible, retire la batería del equipo cuando no esté en uso.
22. Deséchela correctamente.

Apéndice 2. Declaración responsable de cumplimiento de requisitos y realización de ensayos por el fabricante/representante autorizado - VMP para transporte personal Declaración responsable del fabricante/representante autorizado sobre cumplimiento de requisitos y realización satisfactoria de ensayos en Vehículos de Movilidad Personal

(VMP) para transporte personal

Declaración responsable del fabricante/representante autorizado del vehículo sobre el cumplimiento de requisitos y la realización de ensayos recogidos en el presente manual, relativa a:

- Disponer de la capacidad y medios necesarios para la realización de las comprobaciones de requisitos, así como de los ensayos correspondientes.

- Haber dimensionado y diseñado los elementos estructurales del vehículo de acuerdo con su uso, durabilidad prevista y cargas declaradas.

- Haber realizado las comprobaciones necesarias para poder acreditar el cumplimiento de requisitos técnicos recogidos en el Manual VMP.

- Realización del ensayo conforme a lo indicado en el Manual de características de los VMP, y superación de los requisitos establecidos en el mismo.

La ficha reducida deberá incluir una versión debidamente cumplimentada de la presente declaración responsable.

- Razón social y dirección del fabricante/representante autorizado: Huzhou Luxshare Precision Industry Co.,Ltd. No. 399, Shengxun Road, Zhili Town, Wuxing District, Huzhou City, Zhejiang Province, China

Brightway Innovation Intelligent Manufacturing (Hangzhou) Co., Ltd / Building 1, Jiande Immigration Aviation Industrial Park, No. 5 Hengtong Road, Shouchang Town, Jiande City, Zhejiang Province, China

- Nombre y dirección del representante del fabricante (en su caso): Brightway Technology (Netherlands) B.V. Talmastraat 59 D, 3038SL Rotterdam

Declara con respecto al vehículo:

- Marca (nombre comercial del fabricante/representante autorizado): NAVEE

- Modelo: S40-E

- Versión: N/A

Haber realizado todas las comprobaciones para certificar el cumplimiento por parte del vehículo de los siguientes requisitos técnicos recogidos en el Manual VMP:

Requisitos técnicos		Certificación de cumplimiento
Sección 6.	Altura del sillín.	<input type="checkbox"/>
Sección 7.	Altura del manillar.	<input checked="" type="checkbox"/>
Sección 11.	Ruedas.	<input checked="" type="checkbox"/>
Sección 12.	Dispositivos de iluminación y retro reflectantes.	<input checked="" type="checkbox"/>
Sección 14.	Dispositivos sonoros.	<input checked="" type="checkbox"/>
Sección 20.	Anti-manipulación.	<input checked="" type="checkbox"/>
Sección 21.	Protección de la batería.	<input checked="" type="checkbox"/>
Sección 25.	Reposapiés.	<input checked="" type="checkbox"/>
Sección 27.	Porta-identificador.	<input checked="" type="checkbox"/>

Disponer de la capacidad y los medios necesarios y haber realizado sobre el citado vehículo los siguientes ensayos, tal y como se establece en el Manual VMP, con los siguientes resultados:

Ensayo		Ensayo superado satisfactoriamente
3	Ensayos de integridad estructural.	<input checked="" type="checkbox"/>
6	Ensayos sobre los requisitos eléctricos - apartado C (Resistencia a la humedad).	<input checked="" type="checkbox"/>
8	Ensayos de compatibilidad electromagnética.	<input checked="" type="checkbox"/>
9	Ensayos de cierre combinado - apartado A (Repeticiones de apertura y cierre).	<input checked="" type="checkbox"/>
10	Ensayos de superficies calientes.	<input checked="" type="checkbox"/>
11	Ensayos de marcajes.	<input checked="" type="checkbox"/>

El abajo firmante garantiza la durabilidad de los componentes y que en el diseño de los sistemas y elementos del vehículo se ha tenido en cuenta los requisitos relacionados con la seguridad de su conducción y utilización.

El abajo firmante, además, acepta y garantiza que los análisis específicos del vehículo, así como de estructuras, componentes o piezas del mismo realizados al vehículo se pondrán puntualmente a disposición del laboratorio autorizado y de la Subdirección General de Gestión de la Movilidad y Tecnología de la DGT, previa petición.

El fabricante deberá conservar evidencias del análisis realizado de la estructura del vehículo, incluyendo reposapiés y plataformas de sujeción y apoyo, mediante cálculos, ensayos virtuales y / o ensayos estructurales, los cuales corroboren que estos elementos resisten a su uso y cargas declaradas, para el caso de que éstas sean requeridas por las autoridades competentes para su comprobación.

La presente declaración responsable se aplica a todos los vehículos incluidos en la Certificación VMP a cuya solicitud se adjunta.

Firma:

Wen tao shi

Nombre y cargo en la empresa: Shi Wentao Manager

Lugar: Suzhou Fecha: 2024.02.28

Apéndice 4. Declaración responsable anti-manipulación

Declaración responsable del fabricante/representante autorizado sobre medidas para evitar la manipulación del grupo motopropulsor (antimanipulación) en Vehículos de

Movilidad Personal (VMP)

Declaración responsable del fabricante/representante autorizado del vehículo sobre medidas para evitar la manipulación del grupo motopropulsor (antimanipulación), relativa a:

- La no comercialización de componentes intercambiables que puedan permitir que la unidad de propulsión supere los niveles de rendimiento aplicables a los VMP
 - Modificaciones facilitadas por el fabricante que no aumenten el rendimiento de la unidad de propulsión del vehículo.
 - Las modificaciones y la intercambiabilidad de piezas y componentes.
- La ficha reducida deberá incluir una versión debidamente cumplimentada de la presente declaración responsable.
- Razón social y dirección del fabricante/representante autorizado: __Huzhou Luxshare Precision Industry Co., Ltd. __ No. 399, Shengxun Road, Zhili Town, Wuxing District, Huzhou City, Zhejiang Province, China _____
 - __Brightway Innovation Intelligent Manufacturing (Hangzhou) Co., Ltd. __/ __ Building 1, Jiande Immigration Aviation Industrial Park, No. 5 Hengtong Road, Shouchang Town, Jiande City, Zhejiang Province, China _____
 - Nombre y dirección del representante del fabricante (en su caso): __Brightway Technology (Netherlands) B.V. __ Talmastraat 59 D, 3038SL Rotterdam _____
- Declara con respecto al vehículo:
- Marca (nombre comercial del fabricante/representante autorizado): __NAVEE _____
 - Modelo: __S40-E _____
 - Versión: __N/A _____

Que cumplirá con las siguientes condiciones:

1. Se compromete a no comercializar componentes intercambiables que puedan permitir que la unidad de propulsión supere los niveles de rendimiento aplicables a los VMP.
 2. Los parámetros relevantes de anti-manipulación indicados a continuación deberán ser accesibles únicamente por los fabricantes o personal autorizado, y la modificación de los parámetros de configuración del software deberán realizarse mediante equipos no comerciales o altamente protegidos para evitar un fácil acceso. Estos parámetros son:
 - Velocidad máxima del motor.
 - Parámetros que afectan a la velocidad máxima del vehículo limitada por diseño.
 - Relación de transmisión.
 - Potencia máxima del motor.
- En relación a esta protección, el fabricante deberá asegurar el origen de los componentes electrónicos y restringir la posibilidad de manipulación de estos y del software asociado, para evitar cualquier modificación de las características preestablecidas de fábrica del vehículo. Para ello dispondrá de diversas vías:
- a. Si el vehículo no dispone de conectividad a dispositivos externos de usuario, el controlador electrónico del vehículo deberá tener algún distintivo o precinto original que solo el fabricante o un servicio técnico oficial especializado podrán manipular.
 - b. Si el vehículo dispone de conectividad a dispositivos externos se deberá asegurar mediante medios informáticos (cortafuegos, firmas electrónicas u otros elementos de seguridad) que las versiones del firmware que controla los parámetros relevantes antes citados, así como los valores de los mismos, son los previstos por el fabricante y no se puedan modificar. Se considera responsabilidad del fabricante establecer dichos elementos de seguridad que lo impidan.
3. Posibles modificaciones de la configuración certificada del vehículo deben ser prevenidas o compensadas por

contramedidas efectivas, es decir, lógicas plausibles para detectar manipulaciones en sensores.

4. Conjunto cerrado de componentes (es decir, funcionamiento sólo con la batería desconectada).

5. Protección contra aberturas de los componentes accesibles sin evidencias de manipulación (precintados).

Firma:

Wen tao shi

Nombre y cargo en la empresa: __Shi Wentao _____

Lugar: __Suzhou _____ Fecha: __2024.02.28 _____

FICHA REDUCIDA DE CARACTERÍSTICAS GENERALES PARA VMP

Fabricante: Huzhou Luxshare Precision Industry Co., Ltd.

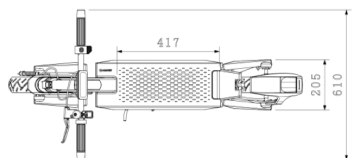
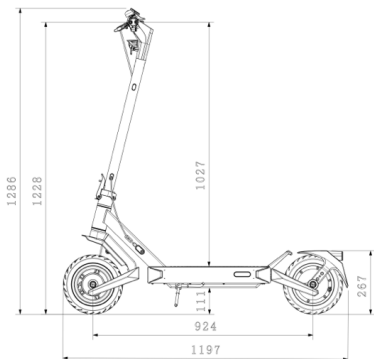
Modelo: S40-E

Representante autorizado: Brightway Technology (Netherlands) B.V.

Versiones: N/A

Marca: NAVEE

Número de certificación: B1045



Versiones	-	-	-	-
Dimensiones	-	-	-	-
- A.- Distancia entre ejes	924	-	-	-
- B.- Longitud total	1197	-	-	-
- C.- Anchura total	610	-	-	-
- D.- Vía delantera	N/A	-	-	-
- E.- Vía Trasera	N/A	-	-	-
- Altura total	1286	-	-	-
- Altura del manillar (en su caso)	1228	-	-	-
Masas				
- Masa en orden de marcha del vehículo (1)	20.6	-	-	-
- M.M.T.A (2)	142.2	-	-	-
- M.M.T.A Primer eje (2)	75.4	-	-	-
- M.M.T.A Segundo eje (2)	66.8	-	-	-
Otras características				
- Numero de ejes y ruedas	2	-	-	-
- Velocidad máxima (km/h)	25	-	-	-
- Potencia nominal (3)	350W	-	-	-
- Autoequilibrado	No	-	-	-
- Tipología (4)	P	-	-	-

(1) Masa en orden de marcha: masa del vehículo tal y como se define en el art. 5 del Reglamento (UE) n° 168/2013.

(2) Masa Máxima Técnicamente Admisible

(3) Según el apartado 4.2.14 de la norma EN 15194:2018, o alternativamente en el Reglamento n.º 85 de la Comisión Económica para Europa de las Naciones Unidas (UNECE)

(4) Personal (P) / Mercancías o Servicios (M)

FICHA REDUCIDA DE CARACTERÍSTICAS GENERALES (Reverso)

BASTIDOR:	Tipo: N/A	
SUSPENSIÓN:	Delantera: Yes	Trasera: Yes
TRANSMISIÓN:	Tipo: N/A	
MOTOR:	Marca: DAAM	Tipo: TD027
Potencia nominal (W): 350	Tensión de trabajo: 36V	Número de serie:TD027*****
Asistente marcha atrás: N/A		
MASA:		
Version 01		
Masa en orden de marcha (kg): 20.6		Masa máxima técnicamente admisible (kg): 142.2
ALUMBRADO Y SEÑALIZACIÓN:		Luz frontal: SQT2109002
Luz trasera: SQT2211056		Luz de freno: SQT2211056
Reflector frontal: 8KBTC230239-A		Reflectores posteriores: KBTC230240-A
Reflectores laterales: KBTC220957-1A		
Indicadores de dirección:		
E32*148R00/04*0380* 00		
NEUMÁTICOS:	Número ruedas primer eje: 1	Número ruedas segundo eje: 1
Ø rueda primer eje: 250mm	Pres.: 50psi	
Ø rueda segundo eje: 250mm	Pres.: 50psi	
Índices mínimos de carga y velocidad:		
Primer eje: N/A	Segundo eje: N/A	
LLANTAS:	Delanteras: 180mm	Traseras: 180mm
DISPOSITIVO DE FRENADO:	Breve descripción de instalación: Two independent brake system	
Delantero: Electric Brake	Trasero: Drum Brake	Combinado: No
Parking: NA		
BATERÍA:	Tensión: 36 V	Modelo: T2208-BA3A
Fabricante: YIYANG CORUN BATTERY CO LTD		N.º de celdas: 30
Capacidad: 7.65Ah	Autonomía (km): 40	
VELOCÍMETRO:	Tipo: S40_Display_AA	
DISPOSITIVOS SONOROS:	Tipo: TLE01PP	Potencia sonora dB(A): 81.0
Aviso marcha atrás: N/A		
CARGA (EN SU CASO):	Tipo de servicio: N/A	Superficie plataforma (m2): N/A
Volumen cajón (litros): N/A	Señalización de la carga: N/A	Fijación de la carga: N/A
VARIOS:	Sistema de plegado: Yes	Superficie reposapiés: Anti-slide surface
Potencia autoequilibrado: N/A	Sillín: N/A	Altura sillín (mm): N/A
Conectividad: Bluetooth	Firmware actualizable: 1005(Display)	Versión firmware fábrica:S40_Display_AA

FIRMA Y FECHA DEL FABRICANTE/INGENIERO:

Wen tao Shi

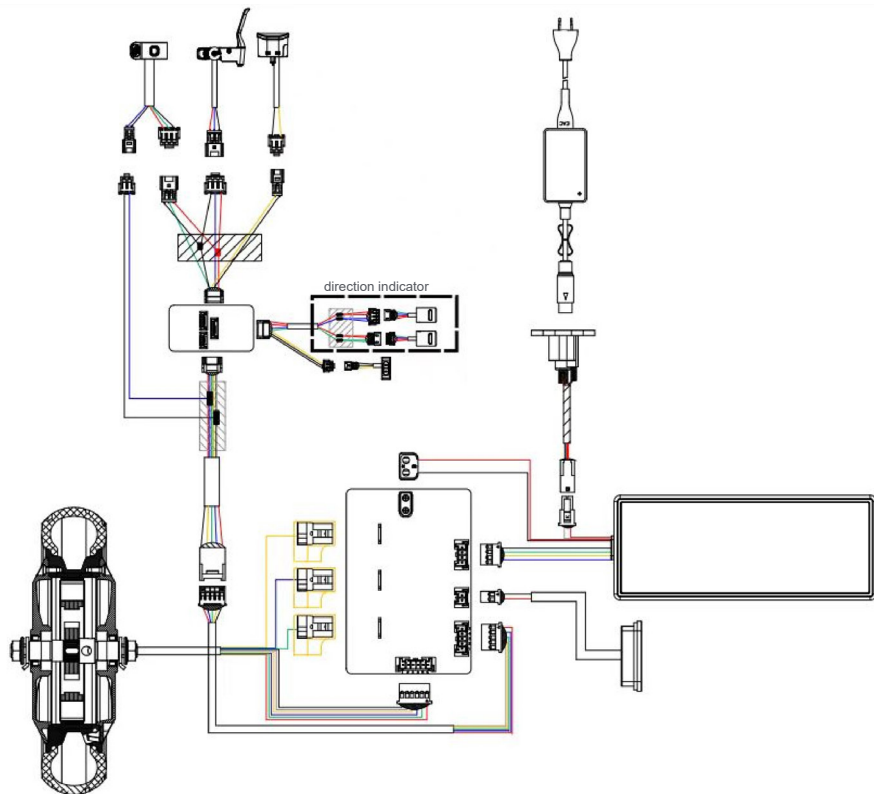
2024.02.28

El fabricante/representante autorizado deberá facilitar además la siguiente información:

- Esquema eléctrico.
 - Aportar breve descripción identificando los posibles escenarios en los que pueda aparecer un paro en el sistema debido a una emergencia/fallo y sus estrategias.
 - Identificación y ubicación de luces/reflectores.
 - Declaración responsable anti-manipulación (se adjunta plantilla). Definiciones conceptos. Ficha Reducida.
- A continuación, se detallan las definiciones para los conceptos que aparecen en la Ficha Reducida, Apéndice 2.
- a) Modelo: Grupo de vehículos, incluidas las versiones, de una categoría concreta que sean idénticos al menos en los siguientes aspectos esenciales:
- el fabricante;
 - el bastidor, el cuadro, el sub-cuadro o la estructura a los que se adhieren los principales componentes;
 - la designación del modelo establecido por el fabricante;
 - la velocidad máxima;
 - la potencia nominal continua máxima;
 - el tipo de motor.
- b) Versión: Grupo de vehículos con la misma combinación de elementos que figuran en la hoja de características.
- c) Masa en orden de marcha: masa del vehículo tal y como se define en el artículo 5 del Reglamento (UE) n° 168/2013.
- d) Masa máxima técnicamente admisible: la masa máxima asignada a un vehículo en función de sus características de fabricación y sus prestaciones nominales.
- e) Potencia nominal máxima continua: Potencia de salida continua (o constante) especificada por el fabricante.

Error Code	Possible Cause	Solution
10	Control panel error	Contact the after-sales service team for check and repair.
11/12/28/29/40	Controller error	Contact the after-sales service team for check and repair.
14	Accelerator error	Check that the accelerator has returned to its original position. If not, the scooter cannot be used normally.
		The accelerator's wire harness might be loose or damaged, please contact the after-sales service team for check and repair.
15	Brake error	Check that the accelerator has returned to its original position. If not, the scooter cannot be used normally.
		If the brake lever wire becomes loose or damaged, please contact after-sales service for inspection and repair immediately.
18	Motor error	Contact the after-sales service team for check and repair.
21/24/39	Battery pack error	Contact the after-sales service team for check and repair.
45	Controller overheating	Leave the scooter to cool down and use it again after the scooter's temperature returns to normal.
50	Battery pack overheating	Leave the scooter to cool down and use it again after the scooter's temperature returns to normal.
52	Battery pack's communication error, and validation failure	Restart the scooter to resume use. If the error persists, contact the after-sales service team for check and repair.

Código de error	Posible causa	Solución
10	Error del panel de control	Póngase en contacto con el equipo de servicio posventa para su revisión y reparación.
11/12/28/29/40	Error del controlador	Póngase en contacto con el equipo de servicio posventa para su revisión y reparación.
14	Error del acelerador	Compruebe que el acelerador ha vuelto a su posición original. Si no es así, el patinete eléctrico no puede utilizarse con normalidad.
		El arnés de cables del acelerador puede estar suelto o dañado, por favor, póngase en contacto con el equipo de servicio posventa para su revisión y reparación.
15	Error del freno	Compruebe que la palanca de freno ha vuelto a su posición original. Si no es así, el patinete eléctrico no puede utilizarse con normalidad.
		Si el cable de la palanca de freno se afloja o se daña, contáctese con el servicio posventa para su inspección y reparación inmediata.
18	Error del motor	Póngase en contacto con el equipo de servicio posventa para su revisión y reparación.
21/24/39	Error en el pack de baterías	Póngase en contacto con el equipo de servicio posventa para su revisión y reparación.
45	Sobrecalentamiento del controlador	Deje que el patinete eléctrico se enfríe y vuelva a utilizarlo cuando la temperatura del patinete eléctrico vuelva a la normalidad.
50	Sobrecalentamiento del pack de baterías	Deje que el patinete eléctrico se enfríe y vuelva a utilizarlo cuando la temperatura del patinete eléctrico vuelva a la normalidad.
52	Error de comunicación del pack de baterías y fallo de validación	Reinicie el patinete eléctrico para reanudar su uso. Si el error persiste, póngase en contacto con el equipo de servicio posventa para su revisión y reparación.



1. Instrukcje bezpieczeństwa

WAŻNE! Przed rozpoczęciem użytkowania produktu należy dokładnie zapoznać się z treścią instrukcji i zachować ją do wykorzystania w przyszłości. Szczegółową instrukcję elektroniczną można znaleźć na stronie www.naveetech.com.

- Urządzenie to nie jest przeznaczone do użytku przez osoby (w tym dzieci) o ograniczonych zdolnościach fizycznych, sensorycznych lub umysłowych, a także nieposiadające doświadczenia i wiedzy, chyba że otrzymały one nadzór lub instrukcje od osoby odpowiedzialnej za ich bezpieczeństwo. Dzieci powinny znajdować się pod nadzorem, aby zapewnić, że nie będą bawić się one urządzeniem.
- Urządzenie to przeznaczone jest dla osób starszych niż 8 lat oraz osób o ograniczonych zdolnościach fizycznych, sensorycznych lub umysłowych, jak również osób nieposiadających doświadczenia i wiedzy, jeżeli otrzymały one nadzór lub instrukcje dotyczące bezpiecznego korzystania z urządzenia i rozumieją związane z tym zagrożenia. Dzieci nie powinny bawić się tym urządzeniem. Dzieci nie powinny czyścić oraz przeprowadzać konserwacji urządzenia bez nadzoru.
- Urządzenie może być używane wyłącznie z zasilaczem dostarczonym wraz z urządzeniem.
- Przed rozpoczęciem jazdy należy zawsze założyć kask, ochraniacze na dłonie/nadgarstki, nakołanniki, ochraniacze na łokcie i inny sprzęt ochronny.
- Hulajnoga może być używana tylko przez jedną osobę. Należy zawsze nosić obuwie. Nie należy zmieniać sposobu użytkowania pojazdu.
- Ten produkt jest przeznaczony wyłącznie do jazdy indywidualnej i nie jest przeznaczony do użytku w akrobacji.
- Produkt ten przeznaczony jest dla osób powyżej 16 roku życia i poniżej 50 roku życia. Osoby, które nie powinny jeździć na tym produkcie, to: (1) osoby będące pod wpływem alkoholu lub narkotyków, (2) osoby niezdolne do wykonywania intensywnych ćwiczeń fizycznych ze względu na stan zdrowia lub kondycję fizyczną, (3) osoby niezdolne do utrzymania równowagi ze względu na upośledzoną sprawność ruchową, (4) osoby, których masa przekracza limit wagi, (5) kobiety w ciąży, (6) osoby z upośledzeniem wzroku i/lub słuchu.
- Podczas jazdy na tym urządzeniu należy przestrzegać lokalnych przepisów i regulacji prawnych. Zabrania się jeździć w miejscach, gdzie jest to zabronione przez lokalne przepisy.
- Podczas jazdy w krajach i regionach, w których nie ma odpowiednich krajowych norm i przepisów dotyczących hulajnóg elektrycznych, należy ściśle przestrzegać wymogów bezpieczeństwa dla kierowców, zawartych w niniejszej instrukcji obsługi. Firma Brightway innovation Intelligent Technology (Suzhou) Co., Ltd. nie ponosi żadnej bezpośredniej i łącznej odpowiedzialności za wszelkie straty materialne, osobowe, wypadki, spory prawne oraz wszelkie inne niekorzystne zdarzenia powodujące konflikty interesów spowodowane użyciem niezgodnym z instrukcją obsługi.
- Zabrania się jeździć po pasach ruchu oraz w strefach mieszkaniowych, gdzie dozwolone są zarówno pojazdy, jak i piesi. Przejżdżając przez miejsce przeznaczone dla pieszych, którym przysługuje prawo przejścia, np. przez chodnik, należy wysiąść oraz przeprowadzić hulajnogę.
- Podczas pierwszej jazdy nie należy wybierać miejsc, w których mogą pojawić się dzieci, piesi, zwierzęta domowe,

pojazdy, rowery lub inne przeszkody i potencjalne zagrożenia. Wymagane przygotowania do korzystania z tego produktu obejmują: upewnienie się, że układ kierowniczy jest odpowiednio wyregulowany oraz to, że wszystkie podłączone akcesoria (takie jak system składania) są odpowiednio dokręcone i nieuszkodzone oraz że hamulce i koła są w dobrym stanie.

- Przed każdym użyciem hulajnogi elektrycznej należy przeprowadzić jej podstawową kontrolę. W przypadku wystąpienia nietypowych warunków, takich jak poluzowane części, niski poziom baterii, przebiegi opon lub nadmierne zużycie opon, dziwne dźwięki, nieprawidłowe działanie i inne nietypowe zjawiska, należy natychmiast przerwać jazdę i wezwać fachową pomoc.
- Wymagane przygotowania do korzystania z tego produktu obejmują: upewnienie się, że układ kierowniczy jest odpowiednio wyregulowany oraz to, że wszystkie podłączone akcesoria (takie jak system składania) są odpowiednio dokręcone i nieuszkodzone oraz że hamulce i koła są w dobrym stanie.
- Aby móc bezpiecznie jeździć, trzeba dobrze widzieć to, co jest przed nami, i być dobrze widocznym dla innych.
- Nie należy jeździć przy złej pogodzie, słabej widoczności lub po intensywnym wysiłku fizycznym.
- Podczas jazdy po zmroku należy włączyć światła awaryjne i zmniejszyć prędkość.
- Przed opuszczeniem pojazdu należy upewnić się, że podpórka jest ustawiona na płaskiej powierzchni, a hulajnoga jest na tyle stabilna, że może stać samodzielnie.
- Ta hulajnoga elektryczna jest urządzeniem rekreacyjnym. Jednak w przypadku wjazdu na teren publiczny będzie ona traktowana jako środek transportu, narażony na zagrożenia bezpieczeństwa, tak jak w przypadku wszystkich innych środków transportu. Jeżdżenie w ścisłej zgodności z poniższymi instrukcjami pozwala w jak największym stopniu chronić Ciebie i innych.
- Użytkownik powinien sprawdzić ograniczenia stosowania zgodnie z lokalnymi przepisami. Jeździć po drogach lub obszarach dozwolonych przez lokalne przepisy i prawa oraz parkować w miejscach dozwolonych. Jeżeli lokalne przepisy i regulacje prawne dotyczące maksymalnej prędkości zawierają odmiennie postanowienia, pierwszeństwo mają lokalne przepisy i regulacje prawne. Proszę szanować i przestrzegać zasad bezpieczeństwa ruchu drogowego i zasad dotyczących pojazdów.
- Przestrzegać pierwszeństwa pieszych. Podczas jazdy należy starać się unikać przestraszenia innych osób, zwłaszcza dzieci. Jeśli jedziesz z tyłu za pieszymi, zadzwoń dzwonkiem, aby ich uprzedzić oraz zwolnij skuter, aby przejechać z ich lewej strony, a podczas przejeżdżania z niewielką prędkością obok nich trzymaj się prawej strony (dotyczy krajów, w których pojazdy poruszają się po prawej stronie). Podczas przejeżdżania obok pieszych należy utrzymywać jak najmniejszą prędkość lub zejść z pojazdu.
- Bez względu na okoliczności należy zawsze przewidywać tor jazdy oraz prędkość, przestrzegając przepisów ruchu drogowego, przepisów dotyczących chodników i zwracać szczególną uwagę na osoby najbardziej narażone na wypadki. Przy zbliżaniu się do pieszego lub rowerzysty należy zasygnalizować swoją obecność, jeśli nie jest się widocznym lub słyszalnym. Podczas przechodzenia należy przechodzić przez chronione przejścia. Podczas przechodzenia należy przechodzić przez chronione przejścia. Należy unikać miejsc o dużym natężeniu ruchu oraz miejsc zatłoczonych.
- Jazda z dużą prędkością lub z prędkością, która nie jest odpowiednia lub adekwatna do sytuacji (złe warunki pogodowe, zła nawierzchnia itp.) może prowadzić do potencjalnej utraty stabilności lub panowania nad pojazdem. Aby zmniejszyć ryzyko, należy przestrzegać wszystkich instrukcji zawartych w niniejszym dokumencie. Podczas montażu i demontażu produktu należy zachować ostrożność, ponieważ może on spaść i spowodować obrażenia ciała.
- Ruch drogowy w mieście wiąże się z wieloma przeszkodami, takimi jak krawężniki czy schody. Zaleca się unikać skoków przez przeszkody. Ważne jest, aby przed pokonaniem tych przeszkód przewidzieć i dostosować swój tor jazdy i prędkość do toru ruchu pieszych. Zaleca się również zejście z pojazdu, gdy przeszkody te staną się niebezpieczne ze względu na ich kształt, wysokość lub poślizg. Nie należy pożyczać hulajnogi osobom, które nie

znają zasad jej obsługi. Przed wypożyczeniem hulajnogi elektrycznej innym osobom należy upewnić się, że dany użytkownik zapoznał się z niniejszą instrukcją obsługi, obejrzał film instruktażowy oraz zrozumiał podstawowe zasady działania. Należy przypomnieć tym osobom o konieczności prawidłowego noszenia środków ochrony indywidualnej tak, aby zapewnić ich bezpieczeństwo.

- Proszę skontaktować się ze sprzedawcą w celu uzyskania informacji o odpowiednich organizacjach szkoleniowych.
- Niezależnie od okoliczności należy zawsze dbać o siebie i innych.
- Wszelkie obciążenia przymocowane do kierownicy wpływają na stabilność pojazdu.
- Nie należy dotykać układu hamulcowego, ponieważ ostre krawędzie mogą spowodować urazy ciała. Podczas użytkowania hamulec może się nagrzewać. Nie dotykać po użyciu.
- Emisyjny poziom ciśnienia akustycznego skorygowany charakterystyką A jest mniejszy niż 70 dB(A).
- W celu zapewnienia lepszych wrażeń z jazdy zaleca się przeprowadzanie regularnej konserwacji produktu.
- Należy usuwać wszelkie ostre krawędzie powstałe w wyniku użytkowania.
- Nie należy stosować akcesoriów i części dodatkowych niezatwierdzonych przez producenta.
- Regularna konserwacja pojazdu jest ważnym czynnikiem bezpieczeństwa.
- Nakrętki oraz inne elementy samokontrujące mogą stracić swoją skuteczność i mogą wymagać ponownego dokręcenia.
- Regularnie sprawdzać dokręcenie różnych elementów śrubowych, w szczególności osi kół, układu składania, układu kierowniczego i wału hamulcowego.
- Nie należy modyfikować ani przerabiać pojazdu, w tym rury i tulei kierownicy, wspornika kierownicy, mechanizmu składania i hamulca tylnego.
- Nie należy wprowadzać żadnych modyfikacji, które nie zostały opisane w instrukcji.
- Należy upewnić się, że podczas transportu hulajnoga jest wyłączona i w miarę możliwości przechowywana w oryginalnym opakowaniu.
- Aby uniknąć przypadkowych obrażeń, takich jak porażenie prądem elektrycznym lub pożar, spowodowanych niewłaściwym użytkowaniem, przed rozpoczęciem użytkowania należy uważnie przeczytać instrukcję i zachować ją do wykorzystania w przyszłości.
- Produkt ten należy używać zgodnie z niniejszą instrukcją. Użytkownicy ponoszą odpowiedzialność za wszelkie straty lub szkody wynikające z niewłaściwego użytkowania tego produktu.
- Podczas ładowania wyłącz pojazd lub ustaw go w odpowiednim trybie innym niż roboczy.
- Nie ładować baterii, jeśli port ładowania lub kabel do ładowania jest mokry. Przed rozpoczęciem ładowania należy dokładnie przeczytać niniejszą instrukcję.
- Nie należy ładować hulajnogi w temperaturze otoczenia powyżej 40°C lub poniżej 0°C.
- Zachowaj bezpieczną odległość, gdy hulajnoga porusza się po równej drodze bez nachylenia. Droga hamowania ulega wydłużeniu na mokrej nawierzchni.
- Ten produkt nie jest wyposażony w regulowany układ amortyzacji (jeśli dotyczy).
- Urządzenie nie jest przeznaczone do użytku na wysokości większej niż 2000 m nad poziomem morza.
- Podczas serwisowania i wymiany części urządzenie powinno być odłączone od źródła zasilania.
- Zewnętrzny elastyczny kabel lub przewód transformatora (ładowarki) nie może być wymieniony; jeśli przewód zostanie uszkodzony, transformator (ładowarkę) należy zutylizować.

- Jeśli zewnętrzny elastyczny kabel lub przewód transformatora jest uszkodzony, powinien on zostać wymieniony przez producenta, jego przedstawiciela serwisowego lub podobnie wykwalifikowaną osobę w celu uniknięcia zagrożenia.
- Jeśli przewód zasilający jest uszkodzony, musi on zostać wymieniony przez producenta, jego przedstawiciela serwisowego lub podobnie wykwalifikowane osoby w celu uniknięcia zagrożenia.
- Produkt ten zawiera baterie, które mogą być wymienione tylko przez wykwalifikowanych techników lub serwis posprzedażowy.
- Urządzenie to zawiera baterie, które mogą być wymieniane wyłącznie przez wykwalifikowane osoby.

OSTRZEŻENIE: Do ładowania baterii należy używać wyłącznie odłączalnego zasilacza dostarczonego wraz z urządzeniem. Nie należy używać ładowarki pochodzącej z innego produktu. Podczas ładowania należy zachować bezpieczną odległość od otaczających materiałów palnych.

OSTRZEŻENIE: Nie należy używać baterii ani ładowarek innych firm. Stosować tylko z zasilaczem LI-0554200130NA.

OSTRZEŻENIE! Proszę trzymać plastikową osłonę z dala od dzieci, aby uniknąć przypadków uduszenia.

OSTRZEŻENIE! Nigdy nie używać tego produktu w pobliżu źródła wody.

OSTRZEŻENIE! W przypadku uszkodzenia produktu należy zaprzestać jego używania.

OSTRZEŻENIE! Jak każdy element mechaniczny, pojazd ten narażony jest na duże naprężenia i zużycie. Poszczególne materiały i elementy mogą różnie reagować na zużycie lub zmęczenie materiału. Jeśli przekroczony zostanie oczekiwany okres eksploatacji danego elementu, może on ulec nagłemu uszkodzeniu, co grozi obrażeniami ciała użytkownika. Pęknięcia, zarysowania i odbarwienia w miejscach narażonych na duże naprężenia wskazują na przekroczenie okresu eksploatacji elementu i takim wypadku należy skontaktować się z autoryzowanym lub wyspecjalizowanym warsztatem

naprawczym.

 odłączana część zasilacza



Instrukcje dotyczące ochrony środowiska

Hulajnoga zawiera zestaw akumulatorów litowo-jonowych, który można ponownie ładować, a jego niewłaściwe usuwanie może być szkodliwe dla środowiska. Aby zagwarantować prawidłową utylizację hulajnogi proszę wykonać poniższe czynności:

1. Przed wyjęciem akumulatorów zaleca się ich całkowite rozładowanie i upewnienie się, że hulajnoga jest odłączona od źródła zasilania. Następnie odkręć dolną pokrywę hulajnogi, aby ją zdjąć, i wyjmij wspornik mocujący akumulator.
2. Odłączyć złącze baterii, a następnie wyjąć baterie. Nie uszkadzać obudowy baterii, aby uniknąć ryzyka obrażeń. Nie należy używać baterii, jeśli jest uszkodzona, ma dziwny zapach, wydziela dym lub ulega przegrzaniu. Nieszczelną baterię należy trzymać z dala od innych przedmiotów.
3. Wyjęte baterie należy oddać do profesjonalnego punktu utylizacji. Aby znaleźć wykwalifikowany warsztat serwisowy, skontaktuj się z nami za pośrednictwem service@navee.tech / www.naveetech.com.

2. Instrukcje dotyczące włączania/wyłączania zasilania i oświetlenia

Włączanie/wyłączanie zasilania

Przycisk zasilania: Nacisnąć przycisk,  aby włączyć hulajnogę. Nacisnąć i przytrzymać przycisk  przez 2-3 s, aby ją wyłączyć. Gdy hulajnoga jest włączona, nacisnąć przycisk, naciskać dwukrotnie, aby przełączać tryby jazdy.

Światło

Gdy hulajnoga jest włączona, nacisnąć przycisk, aby włączyć/wyłączyć światła przednie i tylne. W aplikacji można włączyć funkcje automatycznego wł./wył. światel światło przednie i tylne będzie włączać się lub wyłączać automatycznie podczas jazdy zgodnie z natężeniem światła w otoczeniu.

Uwaga: Po włączeniu funkcji automatycznego wł./wył. światel w aplikacji naciśnięcie przycisku zasilania spowoduje tymczasową dezaktywację tej funkcji. Funkcję można wznowić, ponownie uruchamiając hulajnogę lub wyłączyć w aplikacji.

Wskazania światel bocznych

Po włączeniu hulajnogi naciśnij przycisk lewego lub prawego światła bocznego; zamiga odpowiednie światło boczne i wskaźnik na panelu sterowania. W międzyczasie dzwonek zareaguje przy tej samej częstotliwości. Naciśnij przycisk ponownie, aby wyłączyć światło boczne.

Światło hamowania

Podczas jazdy należy przytrzymać dźwignię hamulca, aby zaświeciło się światło hamowania (światło tylne).

3. Pielęgnacja i konserwacja

Czyszczenie

Przed czyszczeniem hulajnogi proszę wyłączyć zasilanie, odłączyć kable ładowania i szczelnie zamknąć pokrywę ładowania.

Przetrzeć główną obudowę miękką, wilgotną szmatką, a trudne do usunięcia zabrudzenia można wyszorować szczoteczką do zębów. Następnie wytrzeć całość suchą szmatką.

OSTRZEŻENIE!

- Nie należy myć hulajnogi strumieniem wody pod wysokim ciśnieniem.
- Nie należy czyścić hulajnogi żrącym środkiem czyszczącym, gdyż mógłby on uszkodzić zewnętrzną i wewnętrzną strukturę hulajnogi.

Bateria

Aby przedłużyć żywotność baterii, należy zawsze ładować ją przed wyczerpaniem.

Podczas jazdy, składowania lub ładowania nie należy przekraczać określonego limitu temperatury (patrz specyfikacje). Nieprzestrzeganie instrukcji dotyczących użytkowania, składowania lub ładowania może spowodować uszkodzenie baterii, brak możliwości jej ładowania oraz utratę gwarancji.

Czas czuwania w pełni naładowanej hulajnogi wynosi w przybliżeniu 120-180 dni. Jeśli nie jest ona używana przez dłuższy czas, należy ją ładować co 30 dni. Należy zwrócić uwagę na czas czuwania tak, aby zapobiec nieodwracalnemu uszkodzeniu baterii spowodowanemu brakiem ładowania.

OSTRZEŻENIE!

- Nie należy używać zestawów baterii innych modeli lub marek, ponieważ może to stanowić zagrożenie dla bezpieczeństwa.
- Aby uniknąć potencjalnych uszkodzeń lub pożaru, należy używać wyłącznie oryginalnej ładowarki.
- Jeśli bateria jest uszkodzona lub nasiąknięta wodą, nie należy jej ładować ani dalej używać.
- Nie demontować baterii. Wyjmowanie baterii jest skomplikowane, a niewłaściwa operacja może wpłynąć na działanie hulajnogi.

Przechowywanie

Jeśli hulajnoga nie będzie używana przez dłuższy czas, należy ją w pełni naładować, a następnie wyłączyć i przechowywać w chłodnym, suchym miejscu. Aby zapobiec uszkodzeniu baterii, należy ładować hulajnogę co najmniej raz na 2 miesiące. Należy upewnić się, że podczas transportu hulajnoga jest wyłączona i w miarę możliwości przechowywana w oryginalnym opakowaniu.

OSTRZEŻENIE!

- Nie należy pozostawiać hulajnogi na dłuższy czas w miejscach silnie nastoniecznionych lub o dużej wilgotności.
- Prosimy nie umieszczać hulajnogi w pobliżu materiałów łatwopalnych.
- Ten produkt zawiera wbudowaną baterię litową i może być transportowany tylko wtedy, gdy jest to dozwolone przez lokalne prawo i przepisy.

Harmonogram konserwacji hulajnogi (zalecany):

Regularna konserwacja hulajnogi może pomóc utrzymać ją w czystości i dobrym stanie, uniknąć zagrożeń bezpieczeństwa, zminimalizować awarie, spowolnić proces niszczenia i wydłużyć jej żywotność.

Pozycja	Serwisowany przedmiot	Działania	Co miesiąc	Co 3 miesiące	Co 500 km/ 6 miesięcy	Co 1000 km/ 1 rok	Co 10000 km/ 3 lata
Opony	Ciśnienie w oponie	Napompuj oponę, aż jej ciśnienie osiągnie 45-50psi.	√		√	√	√
	Zużycie bieżnika opony	Sprawdź, czy opona nie jest popękana, zdeformowana, zużyta itp.			√	√	√
Śruby	Śruby zespołu kierownicy	Dokręć śrubę łączącą zespół kierownicy z zespołem wspornika (z zalecanym momentem 4,8 ±0,2 N-m).		√	√	√	√
		Dokręć śrubę akceleratora (z zalecanym momentem 1,6 ±0,1 N-m).					
		Dokręć śrubę dźwigni hamulca (z zalecanym momentem 5 ±0,2 N-m).				√	√

Pozycja	Serwisowany przedmiot	Działania	Co miesiąc	Co 3 miesiące	Co 500 km/ 6 miesięcy	Co 1000 km/ 1 rok	Co 10000 km/ 3 lata
Funkcje	Regulacja hamulca	Przed regulacją upewnij się, że hulajnoga jest wyłączona i nie jest ładowana. Narzędzie: klucz sześciokątny 14 mm (narzędzie musi być zapewnione przez użytkownika). Podczas regulacji pociągnij za koniec linki hamulcowej tak, aby linka była napięta. Uwagi: Jeśli hamulec jest zbyt ciasny, przy użyciu narzędzia obróć nakrętkę na pręcie ściągającym w lewą stronę, aby nieco skrócić widoczną dolną część przewodu hamulca. Jeśli jest zbyt luźny, przy użyciu narzędzia obróć nakrętkę na pręcie ściągającym w prawą stronę, aby nieco wydłużyć widoczną dolną część przewodu hamulca.			✓	✓	✓
	Ładowanie	Naładuj hulajnogę w odpowiedniej temperaturze. Wskaźnik na ładowarce jest czerwony, gdy hulajnoga się ładuje i zmienia się na zielony, gdy jest ona w pełni naładowana. Podczas ładowania panel sterowania pokazywał będzie stan naładowania w czasie rzeczywistym.			✓	✓	✓
	Kierownica	Obróć kierownicę o 60° w lewo i w prawo, aby upewnić się, że kąt skretu jest prawidłowy, a układ kierowniczy jest wolny od oporów i zastoju.				✓	✓
Ważne elementy	Montaż akumulatora	Przed odstawieniem hulajnogi na dłuższy czas naładuj ją do pełna, a co 60 dni włączaj ją w celu naładowania.					✓

Koła, klocki hamulcowe i inne wrażliwe części mogą ulec zużyciu lub uszkodzeniu, skontaktuj się z serwisem posprzedażnym w odpowiednim momencie.

4. Dane techniczne

Produkt	Nazwa	NAVEE Electric Scooter	
	Model	S40-E	S40-D
Wymiary	Pojazd: Dł. × szer. × wys. (mm) ^[1]	1195 × 610 × 1280	
	Po złożeniu: Dł. × szer. × wys. (mm)	1195 × 605 × 560	
Masa netto	Masa netto pojazdu (kg)	22,2	
Użytkownik	Zakres obciążenia (kg)	25-120	
	Wiek (w latach)	16-50	
Zmontowana hulajnoga elektryczna	Wzrost użytkownika (cm)	120-200	
	Prędkość maks. (km/h)	25	20
	Typowy zasięg (km) ^[2]	Approx, 40	
	Maks. kąt podjazdu (%)	Approx, 18	
	Zalecane nawierzchnie	Drogi cementowe lub asfaltowe z nierównościami mniejszymi niż 1 cm lub pęknięciami węższymi niż 3 cm	
	Temperatura użytkowania (°C)	-10 to 40	
	Temperatura przechowywania (°C)	-20 to 45	
	Stopień ochrony IP	IPX5	
	Czas ładowania (godz.)	ok, 6	
	Akumulator	Model	T2208-BA3A
Napięcie znamionowe (VDC)		36	
Maks. napięcie ładowania (VDC)		42	
Energia nominalna (Wh)		275,4	
Inteligentny system zarządzania akumulatorem		Zabezpieczenie przed przegrzaniem, zwarcim, prądem przetężeniowym, nadmiernym rozładowaniem i przetadowaniem	
Normalny zakres temperatur ładowania (°C)		0 to 40	
Silnik napędzający koło	Pojemność nominalna (Ah)	7,65	
	Moc nominalna (kW; W)	0,35; 350	
Ładowarka do akumulatora	Model ^[3]	LI-0554200130NA	
	Moc wyjściowa (kW; W)	0,0533; 53,3	
	Wejście	100-240 V~ 50-60 Hz	
	Maks. napięcie wyjściowe (VDC)	42,0	
Opona	Znamionowa moc wyjściowa (VDC; A)	41,0; 1,3	
	Przednie i tylne opony	10-calowe opony pneumatyczne	
Bluetooth	Pasma częstotliwości (s)	2,4000 - 2,4835 GHz	
	Moc maks. RF (dBm)	8	

[1] Wysokość pojazdu: od podłoża do najwyższego punktu hulajnogi.

[2] Typowy zasięg: mierzony w warunkach bezwietrznych przy temperaturze 25°C, przy założeniu, że hulajnoga jest w pełni naładowana i porusza się z prędkością 15 km/h po płaskiej nawierzchni z obciążeniem 75 kg.

[3] Do ładowania akumulatora należy używać wyłącznie zasilacza dołączonego do opakowania. Parametry ładowarki akumulatora można znaleźć w danych technicznych.

5. Certyfikaty

Dyrektywa w sprawie ograniczenia stosowania substancji niebezpiecznych (RoHS)

Produkt Brightway Innovation Intelligent Technology (Suzhou) Co., Ltd. wraz z częściami (kable, przewody itp.) spełnia wymagania normy 2011/65/UE, aneks II, w sprawie ograniczenia wykorzystania niektórych substancji niebezpiecznych w urządzeniach elektrycznych i elektronicznych oraz poprawki w postaci dyrektywy (UE) 2015/863.

Deklaracja zgodności UE



Niniejsze urządzenie spełnia wymogi UE dotyczące ograniczenia ekspozycji ogółu społeczeństwa na pola elektromagnetyczne w celu ochrony zdrowia. Niniejszym firma Brightway Innovation Intelligent Technology (Suzhou) Co., Ltd. oświadcza, że urządzenie radiowe typu S40-E i S40-D jest zgodne z dyrektywą 2014/53/UE i 2006/42/KE. Pełny tekst deklaracji zgodności UE jest dostępny na następującej stronie internetowej: www.naveetech.com

Deklaracja zgodności UE

Informacje na temat recyklingu akumulatorów w Unii Europejskiej



Akumulatory i opakowania akumulatorów są oznakowane zgodnie z dyrektywą europejską 2006/66/WE oraz poprawką 2013/56/UE, dotyczącymi baterii i akumulatorów oraz zużytych baterii i akumulatorów. Dyrektywa ta określa ramy prawne dotyczące zwrotu i recyklingu zużytych baterii i akumulatorów, obowiązujące w całej Unii Europejskiej. Etykieta ta jest umieszczana na różnych bateriach/akumulatorach w celu wskazania, że zgodnie z niniejszą dyrektywą po zakończeniu eksploatacji nie powinny być wyrzucane, tylko przekazywane do odpowiedniego punktu.

Zgodnie z dyrektywą europejską 2006/66/WE oraz poprawką 2013/56/UE baterie i akumulatory są oznakowane etykietami w celu wskazania, że powinny być zbierane oddzielnie i poddawane recyklingowi po zakończeniu eksploatacji. Etykieta na baterii/akumulatorze może również zawierać symbol chemiczny użytego metalu (Pb – ołów, Hg – rtęć i Cd – kadm). Użytkownicy baterii i akumulatorów nie mogą ich wyrzucać razem z niesortowanymi odpadami komunalnymi. Są zobowiązani do korzystania ze specjalnych punktów zbiórki baterii i akumulatorów, przeznaczonych dla klientów (dotyczy to zwrotu, recyklingu i utylizacji). Takie postępowanie pozwala zminimalizować negatywny wpływ baterii i akumulatorów na środowisko oraz zdrowie ludzi w związku z potencjalną obecnością substancji niebezpiecznych.

Przed przekazaniem sprzętu elektrycznego i elektronicznego (EEE) do zbiórki lub punktu zbierania odpadów końcowy użytkownik sprzętu zawierającego baterie i/lub akumulatory musi usunąć te baterie i akumulatory i oddać je do odpowiedniego punktu zbiórki.

Dyrektywa w sprawie zużytego sprzętu elektrycznego i elektronicznego (WEEE)



Wszystkie produkty oznaczone tym symbolem są uznane za odpady sprzętu elektrycznego i elektronicznego (WEEE zgodnie z Dyrektywą 2012/19/UE) i nie mogą być wyrzucane po zakończeniu okresu użytkowania wraz z innymi odpadami. W celu ochrony zdrowia ludzi oraz środowiska naturalnego należy przekazać zużyty sprzęt do wyznaczonego punktu utylizacji wyznaczonego przez instytucje rządowe lub lokalne.

Prawidłowe usunięcie zużytego produktu pomaga w zapobieganiu potencjalnym negatywnym skutkom oddziaływania na środowisko naturalne i zdrowie ludzi. Więcej informacji można uzyskać w urzędzie lokalnym lub od instalatora.

ostrzeżenie dotyczące bezpieczeństwa



Zagrożenie!
Przed użyciem przeczytać instrukcję obsługi.



OSTRZEŻENIE!
Przeczytać uważnie i zachować na przyszłość.



UWAGA
Gorąca powierzchnia



Nie wystawiać na działanie wilgoci



Światła



Zasilacz impulsowy wyposażony w izolowany transformator z zabezpieczeniem przeciwzwarciowym



Zasilacz impulsowy



Miniaturowa wkładka bezpiecznikowa z opóźnieniem czasowym, gdzie X jest symbolem charakterystyki czasowo-prądowej zgodnie z normą IEC 60127



OSTRZEŻENIE!
Tylko do użytku wewnętrznego (dla ładowarki).



OSTRZEŻENIE
Urządzenie klasy II



UWAGA
Ostre krawędzie



Ładowarka przeznaczona jest do użytku na wysokościach nieprzekraczających 5000 m.



Kierunkowskazy



Prąd stały



Prąd przemienny



Biegunowość wyjścia ładowarki, środek dodatni

Ładowarka do akumulatora

OSTRZEŻENIE

1. Ładowarka jest przeznaczona wyłącznie do użytku w pomieszczeniach. Nie wolno jej narażać na działanie deszczu lub śniegu.
2. Nie wolno używać baterii bez możliwości ładowania, ponieważ mogą się one przegrzać i uszkodzić.
3. Niewłaściwe użycie akumulatorów innego typu może spowodować ich wybuch, a w konsekwencji obrażenia ciała i szkody na mieniu.
4. Nie wolno spalać, demontować ani zwierać akumulatorów.
5. Znaczny spadek wydajności akumulatora oznacza, że należy go wymienić.
6. Nieużywaną ładowarkę należy przechowywać w chłodnym i suchym miejscu.
7. Przed wykonaniem lub przerwaniem połączeń z akumulatorem należy odłączyć zasilanie.
8. Gazy wybuchowe. Należy zapobiegać powstawaniu płomieni i iskiei. Podczas ładowania należy zapewnić odpowiednią wentylację.
9. Podczas ładowania akumulator musi być umieszczony w dobrze wentylowanym pomieszczeniu.
10. Urządzenia elektryczne należy przechowywać w miejscu niedostępnym dla dzieci i osób o ograniczonych możliwościach umysłowych. Nie należy umożliwiać im korzystania z produktu bez nadzoru.
11. To urządzenie nie jest przeznaczone do użytku przez osoby (w tym dzieci) o ograniczonych zdolnościach fizycznych, sensorycznych lub umysłowych, lub nieposiadające doświadczenia i wiedzy, chyba że są one nadzorowane lub zostały poinstruowane w zakresie korzystania z urządzenia przez osobę odpowiedzialną za ich bezpieczeństwo.
12. To urządzenie może być używane przez dzieci w wieku od 8 lat i starsze oraz osoby o ograniczonych zdolnościach fizycznych, sensorycznych lub umysłowych lub osoby nieposiadające doświadczenia i wiedzy, jeśli są one nadzorowane lub zostały poinstruowane w zakresie bezpiecznego korzystania z urządzenia i rozumieją związane z tym zagrożenia. Dzieciom nie wolno bawić się urządzeniem. Czyszczenie i konserwacja nie mogą być wykonywane przez dzieci bez nadzoru.
13. Zewnętrzny elastyczny przewód lub przewód tego transformatora nie może zostać wymieniony; jeśli przewód ulegnie uszkodzeniu, transformator należy zeztomować.
14. Jeśli przewód zasilający ulegnie uszkodzeniu, należy go wymienić na specjalny przewód lub zespół dostępny u producenta lub jego przedstawiciela serwisowego.

Instrukcja ładowania

1. Podłącz ładowarkę bezpośrednio do źródła zasilania. Nie wolno używać przedłużaczy.
2. Ładowarka może być używana wyłącznie do ładowania akumulatorów litowo-jonowych LI-0554200130NA.
3. Należy unikać odwrotnego ładowania.
4. Ładowarki nie są przeznaczone do ładowania akumulatorów samochodowych.

Akumulator

OSTRZEŻENIE

1. Nie wolno demontować, otwierać ani rozdrabniać ogniw akumulatorowych ani akumulatorów.
2. Akumulatory należy przechowywać w miejscu niedostępnym dla dzieci. Korzystanie z akumulatorów przez dzieci powinno odbywać się pod nadzorem. W szczególności należy przechowywać małe baterie w miejscu niedostępnym dla małych dzieci.
3. W przypadku połknięcia ogniwa lub baterii należy natychmiast zasięgnąć porady lekarza.
4. Nie wolno narażać ogniw ani baterii na działanie ciepła lub ognia. Unikać przechowywania w miejscu narażonym na bezpośrednie działanie promieni stoniecznych.
5. Nie wolno zwierać ogniw ani akumulatorów. Nie należy przechowywać ogniw lub baterii w sposób nieuporządkowany w pudełku lub szufladzie, gdzie mogą spowodować zwarcie lub zostać zwarte przez inne metalowe przedmioty.
6. Nie należy wyjmować ogniw ani baterii z oryginalnego opakowania, dopóki nie będą potrzebne.
7. Nie należy narażać ogniw ani baterii na wstrząsy mechaniczne.
8. W przypadku wycieku płynu z ogniwa nie dopuścić do kontaktu płynu ze skórą lub oczami. Jeśli dojdzie do kontaktu, przemyć dotknięte miejsce dużą ilością wody i zasięgnąć porady lekarza.
9. Nie należy używać ładowarki innej niż ta, która została dostarczona wraz z urządzeniem.
10. Należy przestrzegać oznaczeń plus (+) i minus (-) na ogniwie, akumulatorze i sprzęcie oraz zapewnić prawidłowe użytkowanie.
11. Nie należy używać ogniw ani baterii, które nie są przeznaczone do użytku z tym urządzeniem.
12. Nie należy równocześnie umieszczać w urządzeniu ogniw różnych producentów, o różnej pojemności, rozmiarze lub typie.
13. Należy zawsze kupować baterie zalecane przez producenta urządzenia.
14. Ogniwa i baterie należy utrzymywać w stanie czystym i suchym.
15. W przypadku zabrudzenia ogniwa lub zaciski akumulatora należy przetrzeć czystą, suchą ściereczką.
16. Ogniwa akumulatorowe i akumulatory należy naładować przed użyciem. Zawsze używaj odpowiedniej ładowarki i zapoznaj się z instrukcjami producenta lub instrukcją obsługi sprzętu, aby uzyskać prawidłowe instrukcje ładowania.
17. Nie należy pozostawiać akumulatora przez dłuższy czas w ładowarce, gdy nie jest używany.
18. Po dłuższym okresie przechowywania może być konieczne kilkakrotnie naładowanie i rozładowanie ogniw lub akumulatorów w celu uzyskania maksymalnej wydajności.
19. Zachowaj oryginalną literaturę produktu do wykorzystania w przyszłości.
20. Ogniwa lub baterii należy używać wyłącznie w zastosowaniach, do których zostały przeznaczone.
21. Jeśli to możliwe, należy wyjmować akumulator z urządzenia, gdy nie jest ono używane.
22. Dokonywać prawidłowej utylizacji.



EC	REP	Outong GmbH Brehmstr.56,40239 Duesseldorf Germany info@outong.de	UK	REP	Prolinx Global LTD 27 Old Gloucester Street London, WC1N 3AX,UK eu@eulinx.eu
----	-----	---	----	-----	---

For more information & after-sales support, contact us via service@navee.tech/www.naveetech.com
Manufactured by: Brightway Innovation Intelligent Technology (Suzhou) Co., Ltd.
Address: Building A2, Shangjinwan Headquarters Economic Park, No.2288, Wuzhong Avenue, Wuzhong Economic
Development Zone, Suzhou Jiangsu P.R. China
Made in China

Original instructions
4015050000458-EU